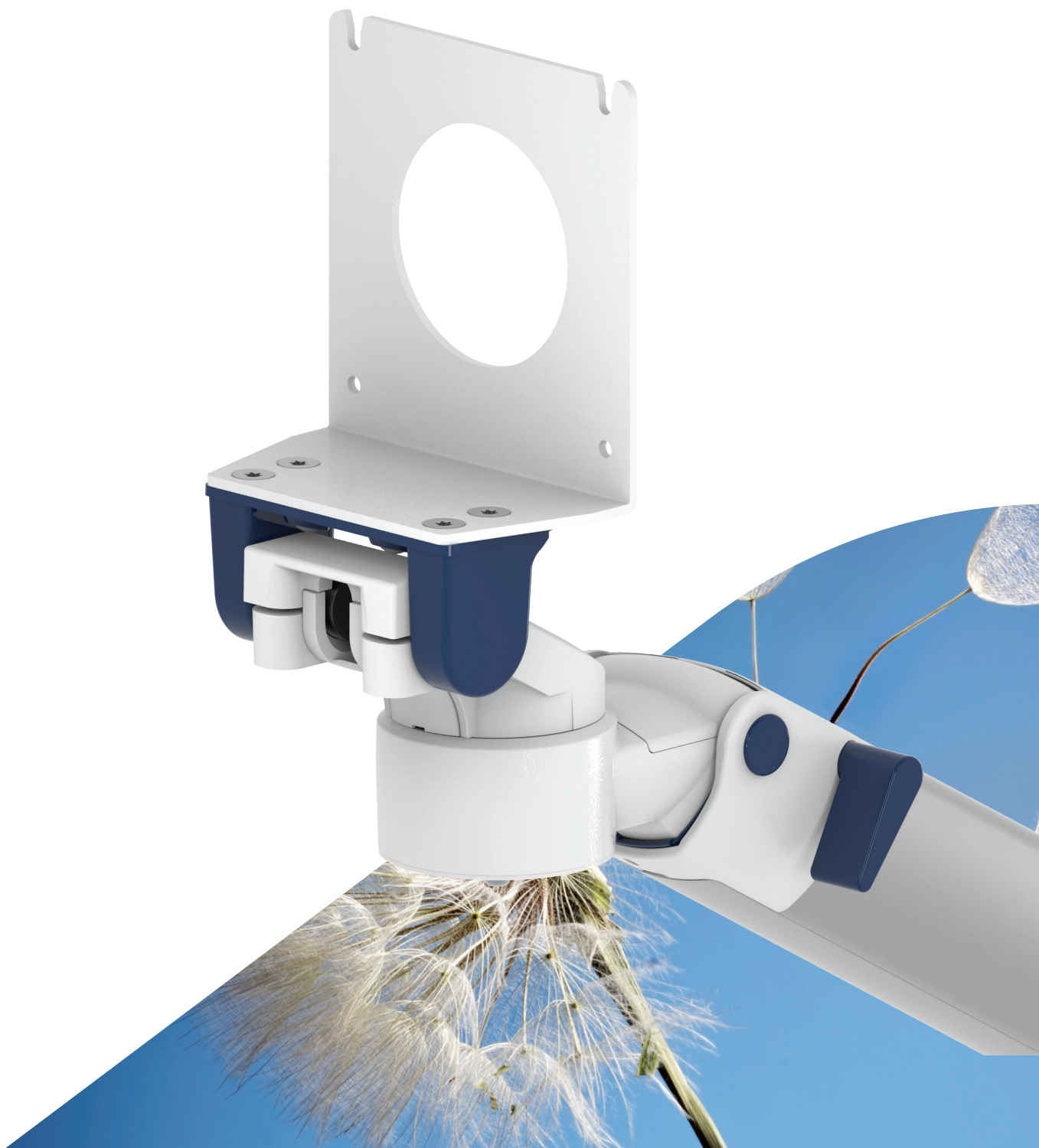




MOUNTING REFERENCE GUIDE

Fukuda Denshi Monitoring

CIM Cable Integrated Mounting System



Content

| | |
|---|-----------|
| General notes | 3 |
| How to create part numbers | 4 |
| Product highlights | 6 |
| Support arm pivot | 7 |
| Height adjustable arm | 9 |
| Extended height adjustable arm | 11 |
| Brackets for super unit and super unit with gas module | 13 |
| Wall-mounted brackets for parameter unit | 15 |
| Support arm pivot for parameter unit | 17 |
| Cart light duty - Fukuda bracket | 19 |
| Cart light duty - monitoring | 21 |
| Monitor-specific mounting adapter | 23 |
| Fixings | 24 |
| Fixings for anaesthesia machines | 25 |

General notes

Components' grounding

All arms with integrated cable management are equipped with **component grounding**. No grounding is required for arms with external or semi-integrated cable management with cables not being led through joints.

Load capacity

All **height adjustable arms** have a load capacity of 22 kg / 48.5 lbs. Rear mounted monitor adaptations and horizontally mounted 5" plunge plates accept a maximum monitor weight of 18 kg / 39.7 lbs. An additional 4 kg / 8.8 lbs may be mounted on a down post underneath the front swivel part. Depending on material and tensile factor all weight indications have a 4-fold and / or 6-fold safety factor according to EN 60601-1, 3rd Edition regulations.

Custom-designed solutions and MRI applications

Please contact us for **custom-designed** solutions.

Product marking

All CIM products are CE marked. As **medical product risk class 1** and they conform with the regulations MDD 93/42 ECC and EN 60601-1, 3rd Edition. TUEV reports for numerous products especially for anaesthesia applications guarantee electrical and mechanical safety of our products and are available upon request.



How to create part numbers

Part numbers can be easily created by following the steps below:

Please replace the letters in **green** with the part no. code as per your requirements.

1. Components' grounding:

A = grounded

2. Choose the arm version required:

224FK / 230FK = support arm pivot
 224FKU / 230FKU = support arm pivot for parameter units
 431FK = height adjustable arm
 73130FK = extended height adjustable arm

3. Specify where you want to mount the arm and select the fixing (Y):

1V = pole ø 23 - 40 mm / 0.9 - 1.6"
 1 = pole ø 25 mm / 1.0"
 1F = pole ø 35 mm / 1.4"
 1C = pole ø 38 mm / 1.5"
 2F = horizontal rails 10 x 25, 8 x 35, 10 x 30, 10 x 50 mm
 3 = vertical rail 10 x 25 mm
 3DR = dual vertical rails, distance 150 mm/ 5.9"
 3TX = dual vertical rails, distance 225 mm/ 8.9"
 4V = vertical wall channel
 13 = Mindray medical supply units
 17 = Amico pendants & headwalls
 9 = Löwenstein Medical anaesthesia machine
 10 = Maquet FLOW i anaesthesia machine
 4U = anaesthesia machine with existing channel

How to create part numbers

4. Choose the colour requested for decorative parts (C):

- gr = RAL 7024 (dark grey)
- bl = RAL 5013 (blue)

5. Choose the colour requested for the aluminium die-cast parts (D):

- 1 = RAL 9016 (pure white)

6. Specify the spring depending on the weight of your monitor/ device - only with height adjustable arms (X):

- 130 = 7.5 - 13 kg / 16.5 - 28.7 lbs
- 175 = 13 - 16 kg / 28.7 - 35.3 lbs
- 220 = 16 - 22 kg / 35.3 - 48.5 lbs

Example

| 01 Grounding | | 02 Arm version | | 03 Fixing | | 04 & 05 Colour | | 06 Spring tension |
|-----------------|---|-------------------|---|--------------|---|-------------------|---|----------------------|
| A | - | 431FK | - | Y | . | C1 | - | X |
| A | - | 431FK | - | 4V | . | gr1 | - | 130 |

Product highlights

Non-height adjustable arm

Pivot and extended pivot arms offer **full cable integration** and easy cleaning for **infection control** in all critical care areas in the clinical environment. Our **5-years warranty** guarantees reliable, trouble-free and maintenance-free operation. The swivel function at the fixing point as well as the **tilt/ swivel function** of the monitor adaptation offers optimum positioning of your device. The extended pivot arm is a two-part arm with central pivot point between the two arm sections. All bottom-mounted monitors have the safety feature of a **20° tilt stop**.

Height adjustable arm

The height adjustable arm offers **full cable integration**, one-wipe clean surfaces and our **5-year warranty** on the entirety of the product. Vertically and horizontally adjustable, the arm offers optimal positioning of your device. A constant viewing angle when vertically adjusted is guaranteed by a parallel linkage. **Weight-optimized springs counter-balance** the monitor without making any adjustments. All bottom-mounted monitors have the safety feature of a **20° tilt stop**. Individual rotational stops may be integrated in any joint.

To provide the perfect combination of arm and monitor, the CIM articulated height adjustable arm has a simple quarter-turn lock to hold the arm safely in position when removing the monitor. Furthermore the arm is equipped with the unique safety feature of a slow-release gas spring. Should anybody try to remove the monitor before locking the arm in position, the arm will only rise at a slow and even tempo.

SAFETY

Support arm pivot



Monitor adaption

Fukuda mounting adapter

Colours to choose

decorative parts RAL 5013 blue / RAL 7024 dark grey
 aluminum parts RAL 9016 pure white

Max. load capacity support arm

18 kg / 39.7 lbs

Max. load monitor adaption

18 kg / 39.7 lbs

Product weight

240 mm / 9.5": 2.1 kg / 4.6 lbs 300 mm / 11.8": 2.2 kg / 4.9 lbs

Part number

arm length 240 mm / 9.5"
 A-224FK-Y.C1

arm length 300 mm / 11.8"
 A-230FK-Y.C1

Fixings

Y | details page 24 and 25



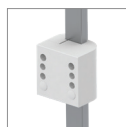
4V

Adapter for vertical wall channel



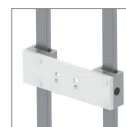
2F

Fixed rail clamp



3

Vertical rail clamp



3DR
3TX

Dual vertical rail clamp



1
1F
1C
1V

Fixed / universal pole clamp



13

Adapter for Mindray medical supply units



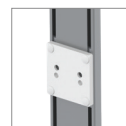
17

Adapter for Amico pendants & headwalls



10

Adapter for Maquet anaesthesia machines



9

Adapter for Löwenstein Medical anaesthesia machines



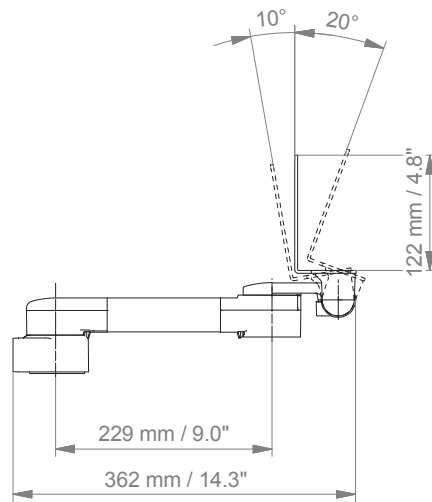
4U

Adapter for anaesthesia machines with existing side channel

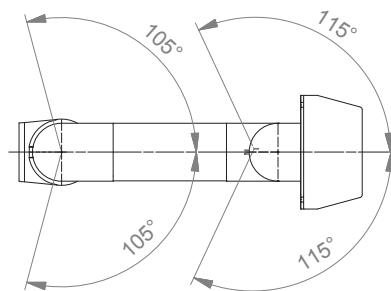
Support arm pivot

Technical data - arm length 300 mm / 11.8"

SIDE VIEW



TOP VIEW



Height adjustable arm



| | |
|---------------------------------------|---|
| Monitor adaption | Fukuda mounting adapter |
| Height adjustment | slow-flowing spring, parallel linkage for a constant viewing angle |
| Colours to choose | decorative parts RAL 5013 blue / RAL 7024 dark grey aluminum parts RAL 9016 pure white |
| Max. load capacity support arm | 22 kg / 48.5 lbs |
| Max. load monitor adaption | 18 kg / 39.7 lbs |
| Product weight | 3.8 kg / 8.4 lbs |
| Balancing range | 1300 N (7,5-13 kg / 16.5-28.7 lbs); 1750 N (13-16 kg / 28.7-35.3 lbs); 2200 N (16-22 kg / 35.3-48.5 lbs) |
| Part number | A-431FK-Y.C1_X |

Fixings

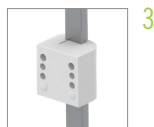
Y | details page 24 and 25



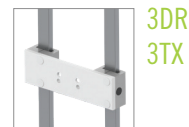
4V
Adapter for vertical wall channel



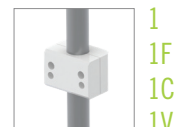
2F
Fixed rail clamp



3
Vertical rail clamp



3DR
3TX
Dual vertical rail clamp



1
1F
1C
1V
Fixed / universal pole clamp



13
Adapter for Mindray medical supply units



17
Adapter for Amico pendants & headwalls



10
Adapter for Maquet anaesthesia machines



9
Adapter for Löwenstein Medical anaesthesia machines

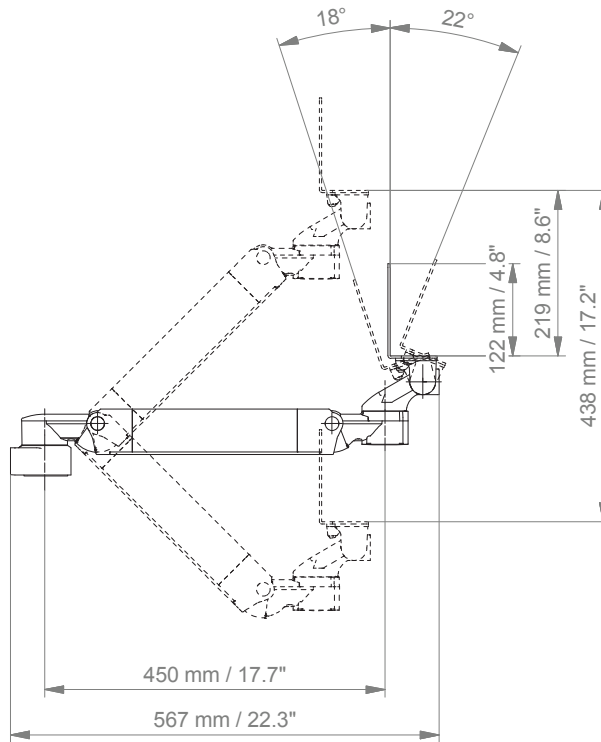


4U
Adapter for anaesthesia machines with existing side channel

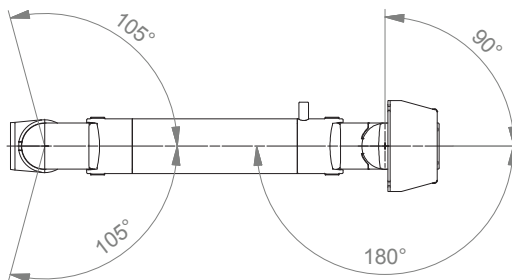
Height adjustable arm

Technical data

SIDE VIEW



TOP VIEW



Extended height adjustable arm



| | |
|---------------------------------------|---|
| Monitor adaption | Fukuda mounting adapter |
| Height adjustment | slow-flowing spring, parallel linkage for a constant viewing angle |
| Colours to choose | decorative parts RAL 5013 blue / RAL 7024 dark grey aluminum parts RAL 9016 pure white |
| Max. load capacity support arm | 22 kg / 48.5 lbs |
| Max. load monitor adaption | 18 kg / 39.7 lbs |
| Product weight | 5.8 kg / 12.8 lbs |
| Balancing range | 1300 N (7,5-13 kg / 16.5-28.7 lbs); 1750 N (13-16 kg / 28.7-35.3 lbs); 2200 N (16-22 kg / 35.3-48.5 lbs) |
| Part number | A-73130FK-Y.C1_X |

Fixings

Y | details page 24 and 25



4V

Adapter for vertical wall channel



2F

Fixed rail clamp



3

Vertical rail clamp



3DR
3TX

Dual vertical rail clamp



1
1F
1C
1V

Fixed / universal pole clamp



13

Adapter for Mindray medical supply units



17

Adapter for Amico pendants & headwalls



10

Adapter for Maquet anaesthesia machines



9

Adapter for Löwenstein Medical anaesthesia machines



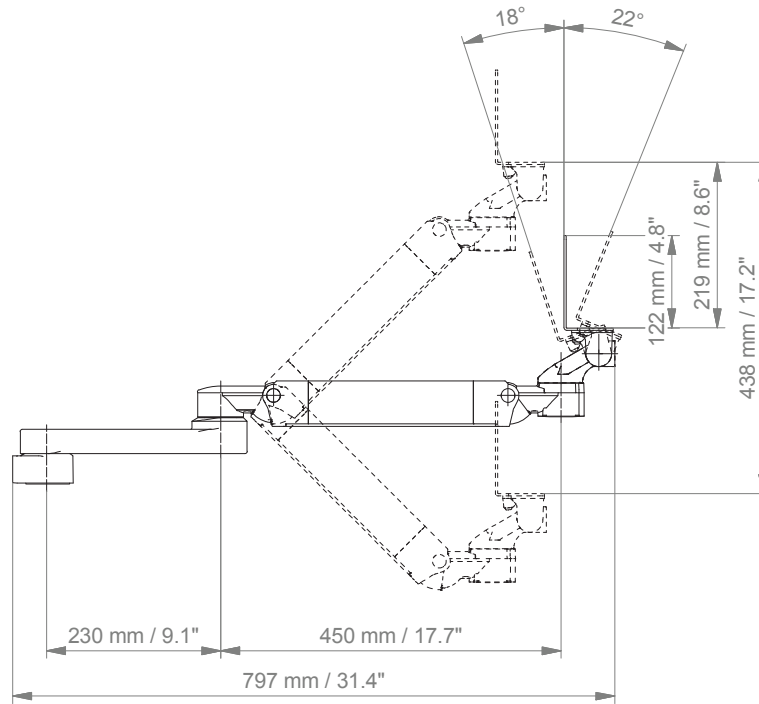
4U

Adapter for anaesthesia machines with existing side channel

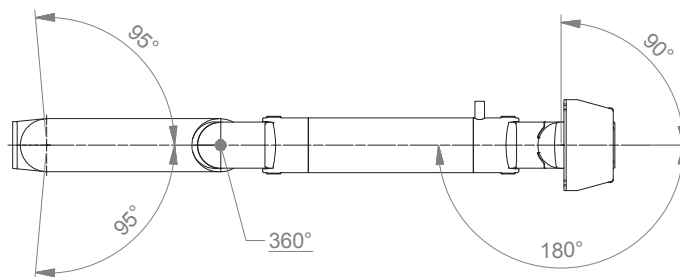
Extended height adjustable arm

Technical data

SIDE VIEW



TOP VIEW



Brackets for super unit and super unit with gas module



Part no. FK-SU.1
Bracket for super unit



Part no. IR-SU-PR.1
Bracket for super unit with gas module



Illustration with pivot support arm and bracket for super unit with gas module

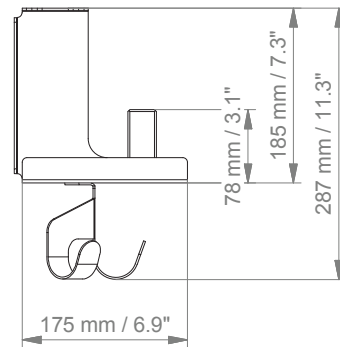
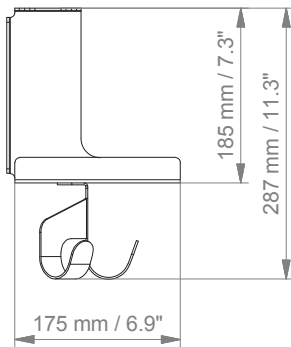
Brackets for super unit and super unit with gas module

Technical data

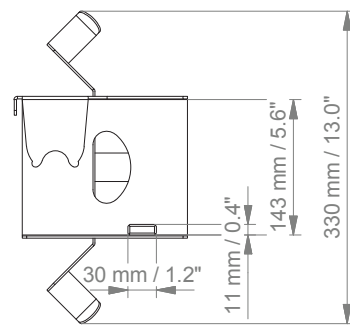
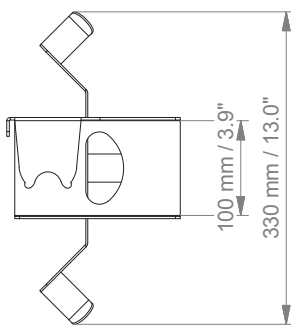
Super unit

Super unit with gas module

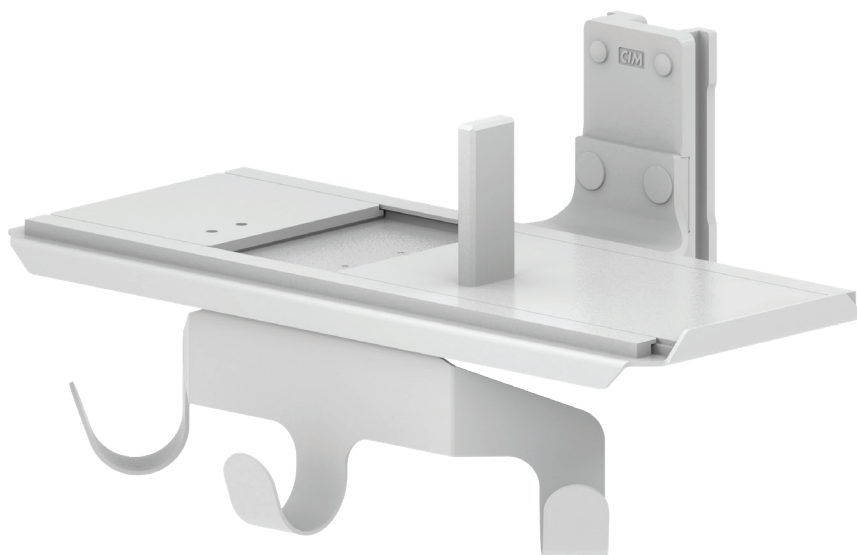
SIDE VIEW



TOP VIEW



Wall-mounted brackets for parameter units



Part no. FK-FKU-4V.1
Wall-bracket for parameter unit

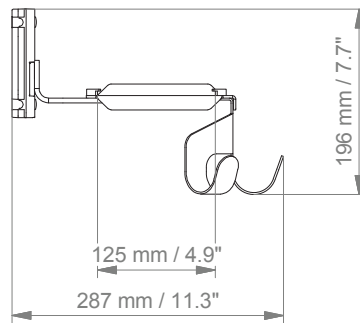


Part no. FK-FKU-V2-4V.1
Wall-bracket for parameter unit - short

Wall-mounted brackets for parameter units

Technical data

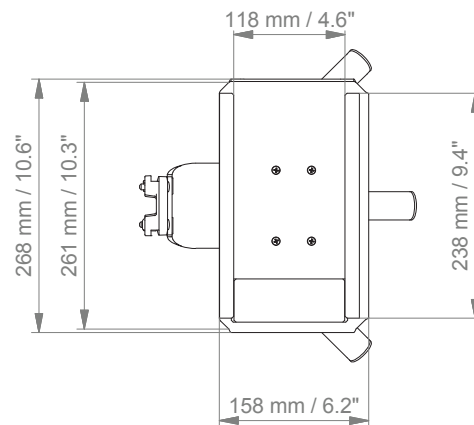
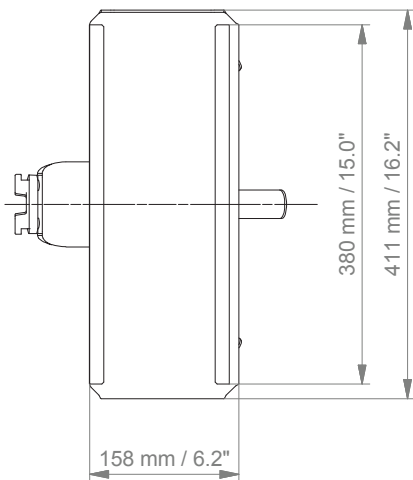
SIDE VIEW



TOP VIEW

Wall-bracket for parameter unit

Wall-bracket for parameter unit - short



Support arm pivot for parameter units



Monitor adaption

Fukuda tray for Parameter Units

Colours to choose

decorative parts RAL 5013 blue / RAL 7024 dark grey
 aluminum parts RAL 9016 pure white

Max. load capacity support arm

18 kg / 39.7 lbs

Max. load monitor adaption

18 kg / 39.7 lbs

Product weight

240 mm / 9.5": 3.1 kg / 6.8 lbs 300 mm / 11.8": 3.2 kg / 7.1 lbs

Part number

arm length 240 mm / 9.5" arm length 300 mm / 11.8"
 A-224FKU-Y.C1 A-230FKU-Y.C1

Fixings

Y | details page 24 and 25



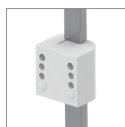
4V

Adapter for vertical wall channel



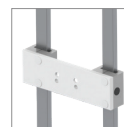
2F

Fixed rail clamp



3

Vertical rail clamp



3DR
3TX

Dual vertical rail clamp



1
1F
1C
1V

Fixed / universal pole clamp



13

Adapter for Mindray medical supply units



17

Adapter for Amico pendants & headwalls



10

Adapter for Maquet anaesthesia machines



9

Adapter for Löwenstein Medical anaesthesia machines



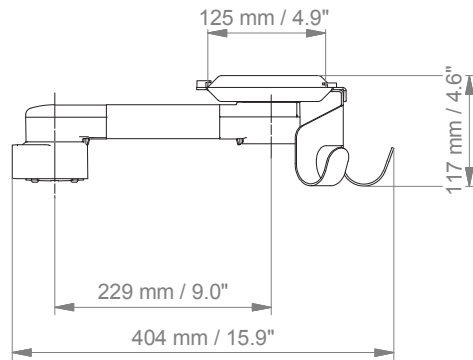
4U

Adapter for anaesthesia machines with existing side channel

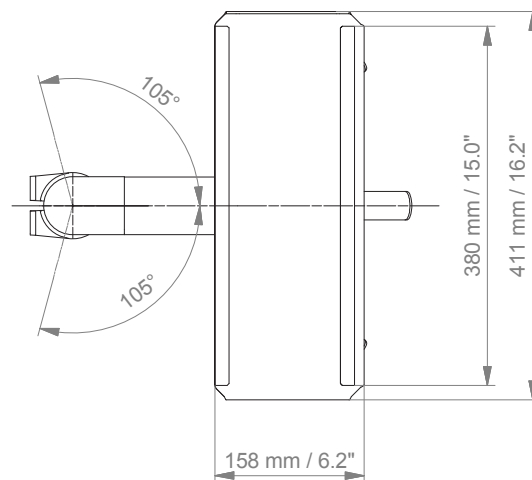
Support arm pivot for parameter units

Technical data - arm length 300 mm / 11.8"

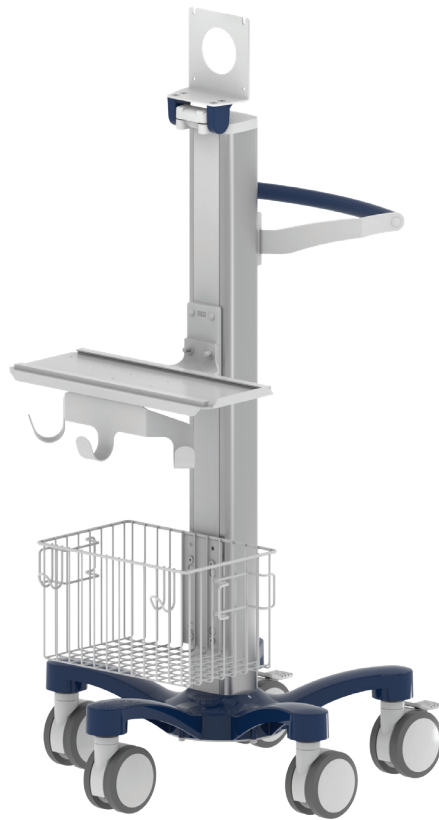
SIDE VIEW



TOP VIEW



Cart light duty - Fukuda bracket



Monitor adaption

Fukuda mounting adapter

Accessories

5-star base aluminum base with counter weight
 double wheel castors, \varnothing 100 mm / 3.9", 2 lockable
 column to accept components and accessories on opposite sides

Colours

decorative parts RAL 5013 blue
 base RAL 5013 blue (part no. code 6)

Max. load capacity

14 kg / 30.9 lbs

Optional accessories

wall-mounted bracket for parameter units
 basket big 300 x 200 x 180 mm / 11.8 x 7.9 x 7.1"
 basket small 200 x 150 x 100 mm / 7.9 x 5.9 x 3.9"
 handle

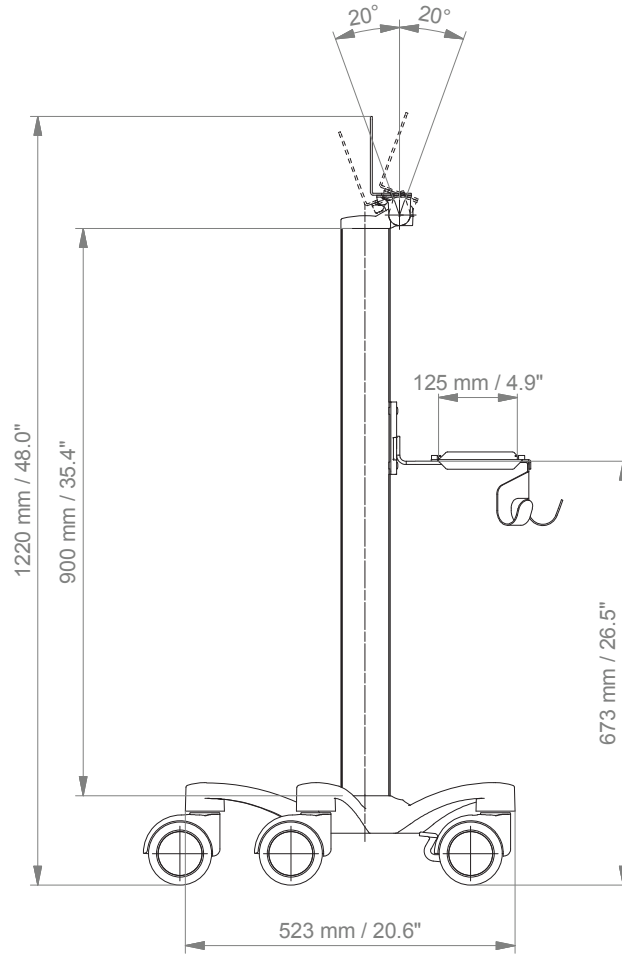
Part number

| | |
|----------------------|-------------|
| cart | R-002FK.bl6 |
| wall-mounted bracket | FK-FKU-4V.1 |
| basket big | Z-51-4Z |
| basket small | Z-52-4Z |
| handle | Z-HD-4.bl1 |

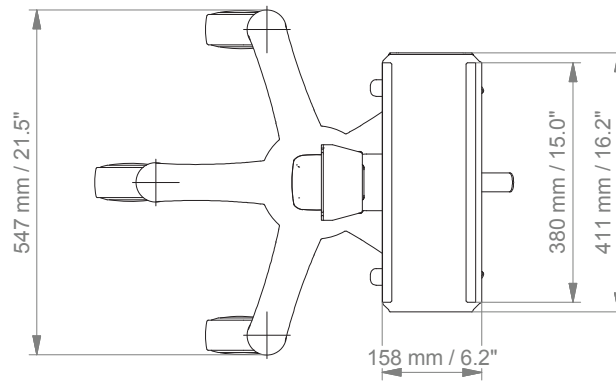
Cart light duty - Fukuda bracket

Technical data

SIDE VIEW



TOP VIEW



Cart light duty - monitoring



Monitor adaption

5" plunge plate with tilt function

Accessories

5-star base aluminum base with counter weight
double wheel castors, \varnothing 100 mm / 3.9", 2 lockable
column to accept components and accessories on opposite sides

Colours

decorative parts RAL 5013 blue
base RAL 5013 blue (part no. code 6)

Max. load capacity

7 kg / 15.4 lbs

Optional accessories

basket big 300 x 200 x 180 mm / 11.8 x 7.9 x 7.1"
basket small 200 x 150 x 100 mm / 7.9 x 5.9 x 3.9"
handle

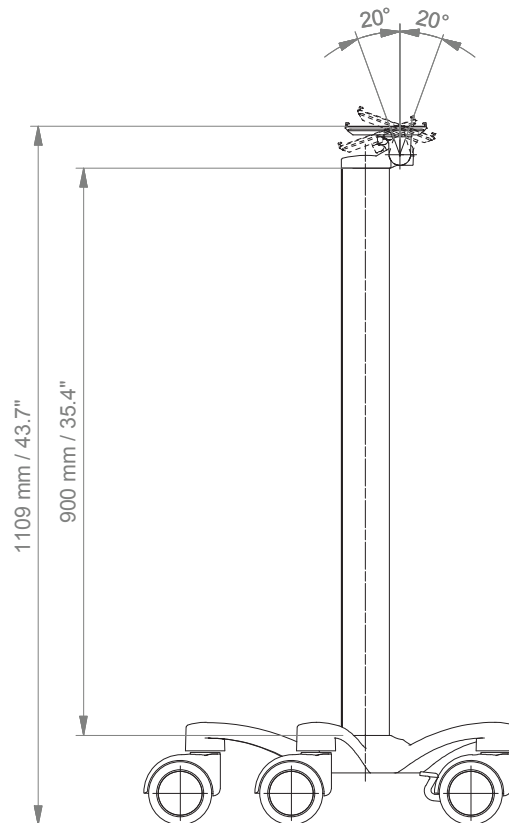
Part number

| | |
|--------------|-------------|
| cart | FK-002A.bl6 |
| basket big | Z-51-4Z |
| basket small | Z-52-4Z |
| handle | Z-HD-4.bl1 |

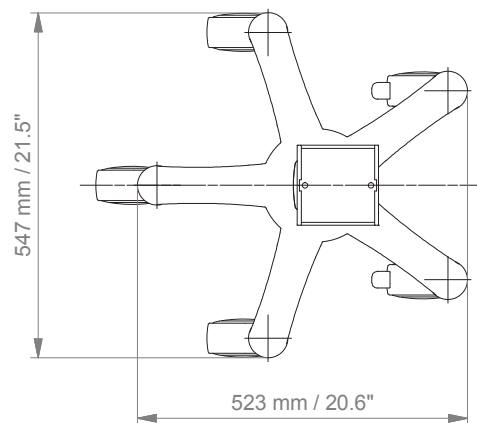
Cart light duty - monitoring

Technical data

SIDE VIEW



TOP VIEW

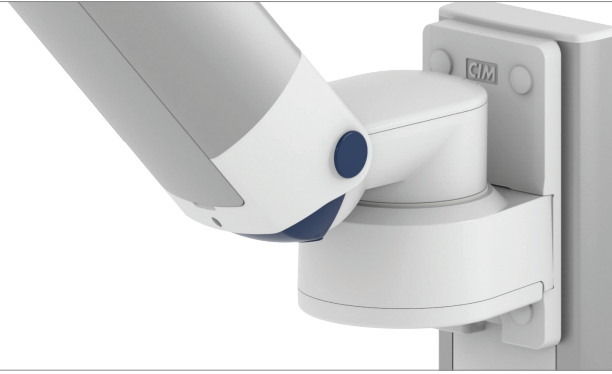










Monitor-specific mounting adapter



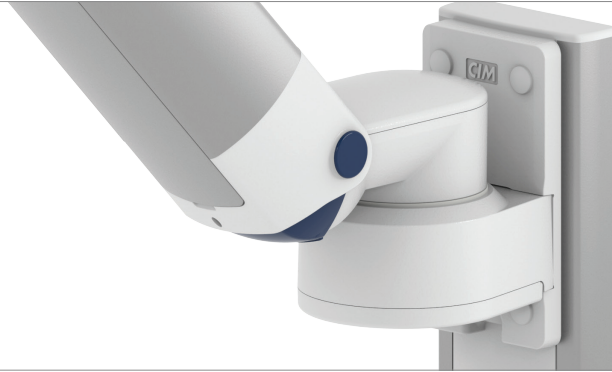
| Type of monitor | Description | Part No. |
|--|--------------------------------------|--------------|
| DS-7000 Series, DS-8100 | Mounting adapter for 5" plunge plate | FK-AP-DS7000 |
| Fukuda mounting adapter Please order this additionally with Fukuda. | | |
| DSL-8001 | Mounting adapter for 5" plunge plate | OAO-57A |

Fixings



| Illustration | Description | Notes | Part no. |
|---|-----------------------------------|--|---------------|
|  | Adapter for vertical wall channel | To mount to CIM wall channel (compatible with GCX channel) Please order separately: CIM wall channel, see catalogue accessoires | 4V |
|  | Fixed rail clamp | To mount to horizontal European rails 10 x 25, 8 x 35, 10 x 30, 10 x 50 mm | 2F |
|  | Vertical rail clamp | To mount to vertical European rail 10 x 25 mm | 3 |
|  | Dual vertical rail clamp | To mount to two parallel vertical European rails 10 x 25, 8 x 35, 10 x 30, 10 x 50 mm Distance between rails 150 mm / 5.9", e.g. Dräger pendant Distance between rails 225 mm / 8.9", e.g. Trilux pendant | 3DR 3TX |
|  | Fixed pole clamp | To mount to pole \varnothing 25 mm / 1.0" To mount to pole \varnothing 35 mm / 1.4" To mount to pole \varnothing 38 mm / 1.5" | 1 1F 1C |
|  | Universal pole clamp | V-block to mount to pole \varnothing 23 - 40 mm / 0.9 - 1.6" | 1V |
|  | Adapter medical supply units | For Mindray medical supply units | 13 |
|  | Adapter pendants & headwalls | For Amico pendants & headwalls | 17 |

Fixings for anaesthesia machines



| Illustration | Description | Notes | Part no. |
|---|---|---|------------------|
|  | Adapter for Maquet anaesthesia machines | Cone adapter for Maquet FLOW i | 10 |
|  | Adapter for Löwenstein Medical anaesthesia machines | Adapter for Leon / Leon plus | 9 |
|  | Adapter for anaesthesia machines (all suppliers) | H 80 mm / 3.1" With existing side channel | 4U |
| If your anaesthesia machine does not have a side channel already mounted to the machine, please order the following in addition to 4U: | | | |
|  | Adapter for Dräger | Dräger Primus / Julian / Cato / Fabius GS / Zeus side channel adapter L 127 mm / 5" side channel adapter L 320 mm / 12.6" | DR-J01 DR-J02 |
|  | Adapter for GE | GE Avance / Aespire / Aestiva side channel adapter L 200 mm / 7.9" | DX-AES-01 |



CIM med GmbH

Euro-Industriepark
Margot-Kalinke-Str. 9
80939 Munich / Germany

T +49 89. 978 94 08-0

F +49 89. 978 94 08-29

M info@cim-med.com

www.cim-med.com

