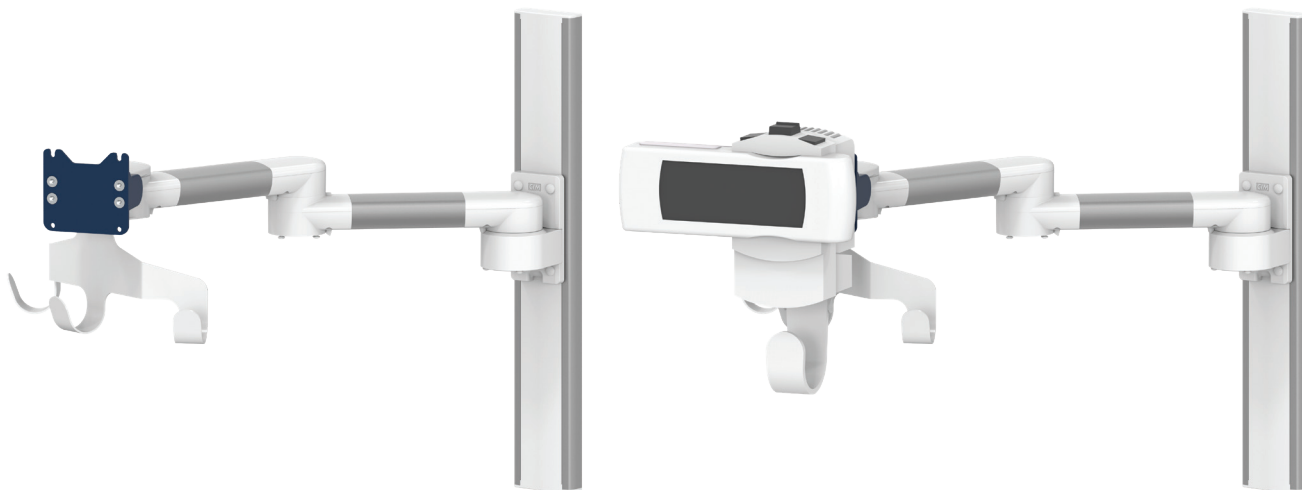


## Extended pivot wall mount



### Configuration shown consists of:

### Part No.

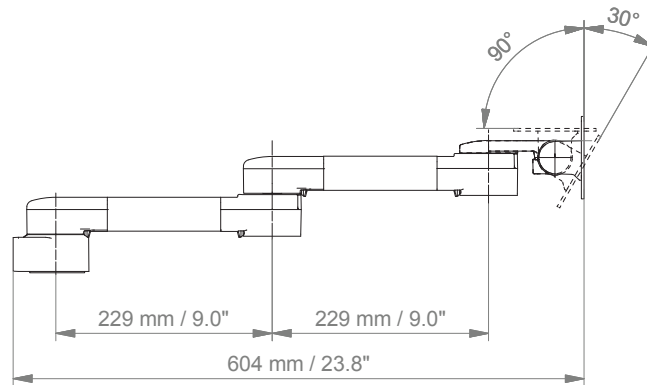
<b>M500/ M540</b>	CIM extended pivot arm with VESA 75, arm length 300 x 300 mm/ 11.8 x 11.8"	A-33030C-4V.bl1
<b>Optional to order</b>	Dual cable hook	Z-KH2-70
	CIM wall channel (including channel cover and end caps)	
	L = 480 mm/ 18.9"	Z-WK.w_480
	L = 720 mm/ 28.3"	Z-WK.w_720

# Extended pivot wall mount

## Technical data

---

### SIDE VIEW



---

### TOP VIEW

