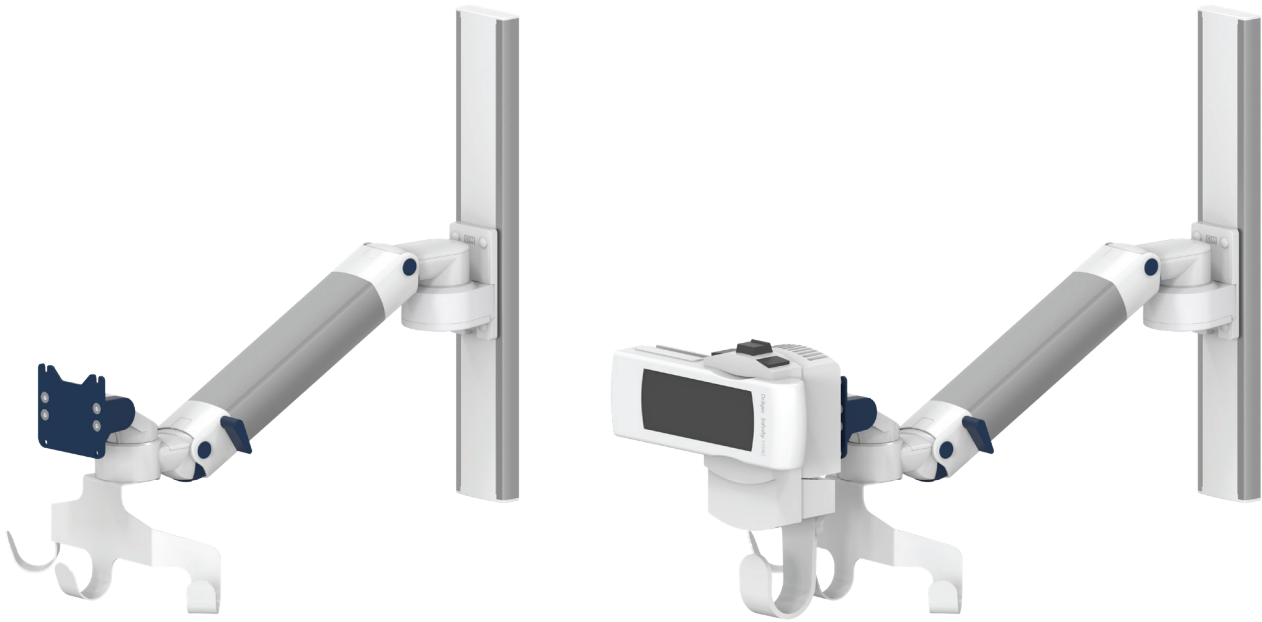


Height adjustable wall mount



Configuration shown consists of:

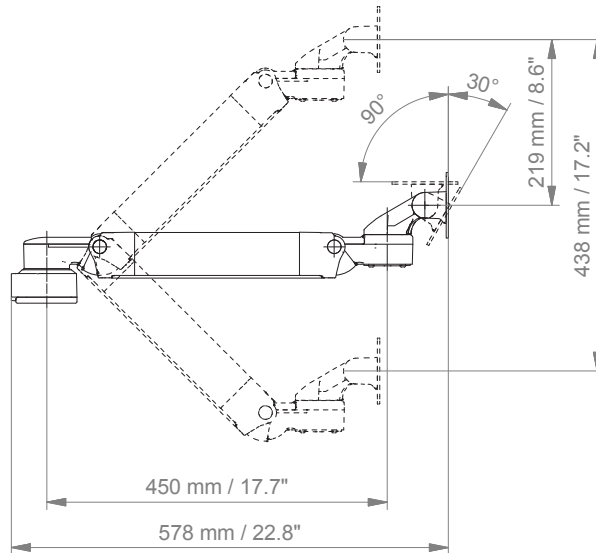
Part No.

M500/ M540	CIM height adjustable arm with VESA 75	A-431C-4V.bl1_60
Optional to order	Dual cable hook	Z-KH2-71
	CIM wall channel (including channel cover and end caps)	
	L = 480 mm/ 18.9"	Z-WK.w_480
	L = 720 mm/ 28.3"	Z-WK.w_720

Height adjustable wall mount

Technical data

SIDE VIEW



TOP VIEW

