



MOUNTING REFERENCE GUIDE

# 5" Plunge Plate Adaptation

CIM Cable Integrated Mounting System



# Content

---

<b>General notes</b>	<b>3</b>
<b>How to create part numbers</b>	<b>4</b>
<b>Product highlights</b>	<b>6</b>
<b>Support arm pivot</b>	<b>7</b>
<b>Extended pivot arm light</b>	<b>9</b>
<b>Extended pivot arm</b>	<b>11</b>
<b>Height adjustable arm</b>	<b>13</b>
<b>Extended height adjustable arm</b>	<b>15</b>
<b>High position height adjustable arm</b>	<b>17</b>
<b>Extended high position height adjustable arm</b>	<b>19</b>
<b>Counter top</b>	<b>21</b>
<b>Cart light duty</b>	<b>23</b>
<b>Fixings</b>	<b>25</b>
<b>Fixings for anaesthesia machines</b>	<b>26</b>

## General notes

---

### Monitor Adaptations

The 5" plunge plate is intended to accept bottom-mounted monitors. Please note that a special mounting adapter is required for some monitors. The mounting adapter is mounted to the bottom and slides into the 5" plunge plate. For monitors from **Dräger** and **GE** no special mounting adapters are required. For the monitors from **Mindray**, **Nihon Kohden**, **Spacelabs** and **Philips Sure Signs/ Vital Signs** mounting adapters are necessary to mount the monitors. For **Philips IntelliVue series** please refer to the separate catalogue: Philips Monitoring IntelliVue Series.

### Components' grounding

All arms with integrated cable management are equipped with **component grounding**. No grounding is required for arms with external or semi-integrated cable management with cables not being led through joints.

### Load capacity

All **height adjustable arms** have a load capacity of 22 kg / 48.5 lbs. Rear mounted monitor adaptations and horizontally mounted 5" plunge plates accept a maximum monitor weight of 18 kg / 39.7 lbs. An additional 4 kg / 8.8 lbs may be mounted on a down post underneath the front swivel part. Depending on material and tensile factor all weight indications have a 4-fold and / or 6-fold safety factor according to EN 60601-1, 3rd Edition regulations.

### Custom-designed solutions and MRI applications

Please contact us for **custom-designed** solutions.

### Product marking

All CIM products are CE marked. As **medical product risk class 1** and they conform with the regulations MDD 93/42 ECC and EN 60601-1, 3rd Edition. TUEV reports for numerous products especially for anaesthesia applications guarantee electrical and mechanical safety of our products and are available upon request.



# How to create part numbers

Part numbers can be easily created by following the steps below:

Please replace the letters in **green** with the part no. code as per your requirements.

## 1. Components' grounding:

A = grounded

## 2. Choose the arm version required:

224A / 230A = support arm pivot  
 33030A = extended pivot arm light  
 H33030A = extended pivot arm  
 431A = height adjustable arm  
 73130A = extended height adjustable arm  
 531A = high position height adjustable arm  
 83130A = extended high position height adjustable arm

## 3. Specify where you want to mount the arm and select the fixing (Y):

1V = pole ø 23 - 40 mm / 0.9 - 1.6"  
 1 = pole ø 25 mm / 1.0"  
 1F = pole ø 35 mm / 1.4"  
 1C = pole ø 38 mm / 1.5"  
 2F = horizontal rails 10 x 25, 8 x 35, 10 x 30, 10 x 50 mm  
 3 = vertical rail 10 x 25 mm  
 3DR = dual vertical rails, distance 150 mm/ 5.9"  
 3TX = dual vertical rails, distance 225 mm/ 8.9"  
 4V = vertical wall channel  
 4U = vertical wall channel for arms with high mounting position  
 13 = Mindray medical supply units  
 17 = Amico pendants & headwalls  
 9 = Löwenstein Medical anaesthesia machine  
 10 = Maquet FLOW i anaesthesia machine  
 4K = anaesthesia machine with existing channel

## How to create part numbers

---

### 4. Choose the colour requested for decorative parts (C):

gr = RAL 7024 (dark grey)  
 bl = RAL 5013 (blue)

### 5. Choose the colour requested for the aluminium die-cast parts (D):

1 = RAL 9016 (pure white)  
 2 = RAL 9002 (grey white)

### 6. Specify the spring depending on the weight of your monitor/ device - only with height adjustable arms (X):

60 = 2 - 5 kg / 4.4 - 11 lbs  
 95 = 4 - 9 kg / 8.8 - 19.8 lbs  
 130 = 7,5 - 13 kg / 16.5 - 28.7 lbs  
 175 = 13 - 16 kg / 28.7 - 35.3 lbs  
 220 = 16 - 22 kg / 35.3 - 48.5 lbs

---

## Example

01 Grounding		02 Arm version		03 Fixing		04 & 05 Colour		06 Spring tension
A	-	431A	-	Y	.	CD	-	X
A	-	431A	-	4V	.	gr1	-	95

## Product highlights

---

### Non-height adjustable arm

Pivot and extended pivot arms offer **full cable integration** and easy cleaning for **infection control** in all critical care areas in the clinical environment. Our **5-years warranty** guarantees reliable, trouble-free and maintenance-free operation. The swivel function at the fixing point as well as the **tilt/ swivel function** of the monitor adaptation offers optimum positioning of your device. The extended pivot arm is a two-part arm with central pivot point between the two arm sections. All bottom-mounted monitors have the safety feature of a **20° tilt stop**.

### Height adjustable arm

The height adjustable arm offers **full cable integration**, one-wipe clean surfaces and our **5-year warranty** on the entirety of the product. Vertically and horizontally adjustable, the arm offers optimal positioning of your device. A constant viewing angle when vertically adjusted is guaranteed by a parallel linkage. **Weight-optimized springs counter-balance** the monitor without making any adjustments. All bottom-mounted monitors have the safety feature of a **20° tilt stop**. Individual rotational stops may be integrated in any joint.

To provide the perfect combination of arm and monitor, the CIM articulated height adjustable arm has a simple quarter-turn lock to hold the arm safely in position when removing the monitor. Furthermore the arm is equipped with the unique safety feature of a slow-release gas spring. Should anybody try to remove the monitor before locking the arm in position, the arm will only rise at a slow and even tempo.

**SAFETY**

# Support arm pivot



**Monitor adaption**

5" plunge plate

**Colours to choose**

decorative parts RAL 5013 blue / RAL 7024 dark grey  
 aluminum parts RAL 9016 pure white / RAL 9002 grey white

**Max. load capacity support arm**

18 kg / 39.7 lbs

**Max. load monitor adaptation**

18 kg / 39.7 lbs

**Product weight**

240 mm / 9.5": 1.9 kg / 4.2 lbs    300 mm / 11.8": 2 kg / 4.4 lbs

**Part number**

arm length 240 mm / 9.5"  
 A-224A-Y.CD

arm length 300 mm / 11.8"  
 A-230A-Y.CD

## Fixings

Y | details page 25 and 26



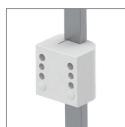
4V

Adapter for vertical wall channel



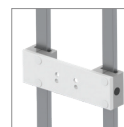
2F

Fixed rail clamp



3

Vertical rail clamp



3DR  
3TX

Dual vertical rail clamp



1  
1F  
1C  
1V

Fixed / universal pole clamp



13

Adapter for Mindray medical supply units



17

Adapter for Amico pendants & headwalls



10

Adapter for Maquet anaesthesia machines



9

Adapter for Löwenstein Medical anaesthesia machines



4K

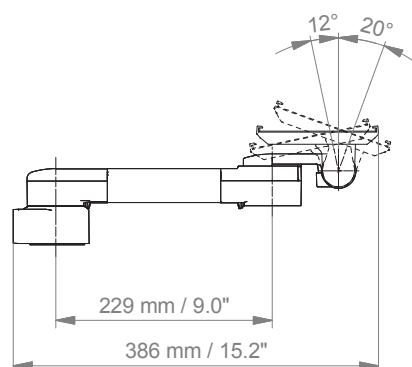
Adapter for anaesthesia machines with existing side channel

# Support arm pivot

Technical data - arm length 300 mm / 11.8"

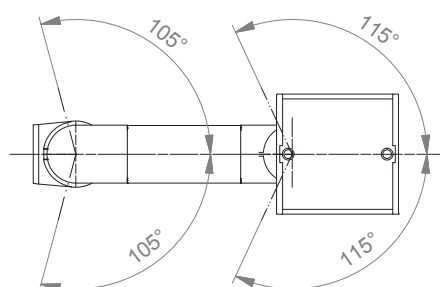
---

## SIDE VIEW



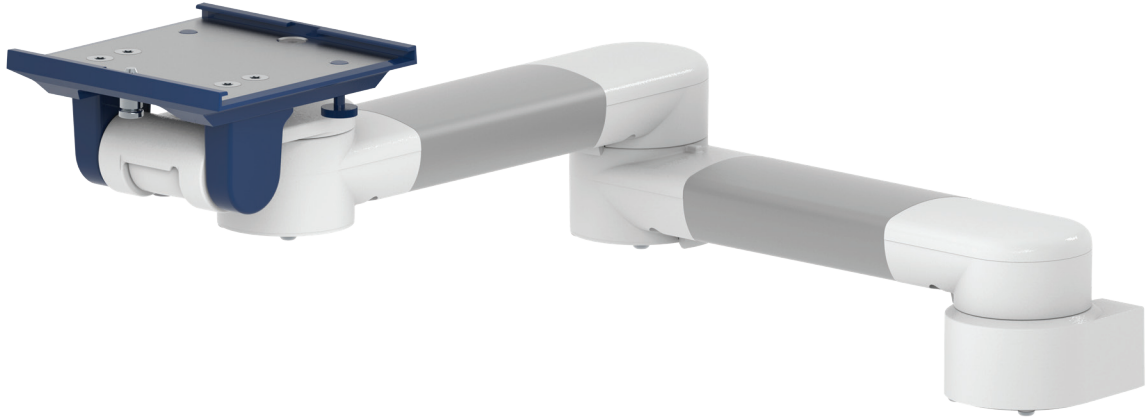
---

## TOP VIEW





# Extended pivot arm light



**Monitor adaption**

5" plunge plate

**Colours to choose**

decorative parts RAL 5013 blue / RAL 7024 dark grey  
 aluminum parts RAL 9016 pure white / RAL 9002 grey white

**Max. load capacity support arm**

8 kg / 17.6 lbs

**Max. load monitor adaptation**

8 kg / 17.6 lbs

**Product weight**

2.8 kg / 6.2 lbs

**Part number**

A-33030A-**Y**.CD

## Fixings

**Y** | details page 25 and 26



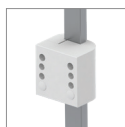
4V

Adapter for vertical wall channel



2F

Fixed rail clamp



3

Vertical rail clamp



3DR  
3TX

Dual vertical rail clamp



1  
1F  
1C  
1V

Fixed / universal pole clamp



13

Adapter for Mindray medical supply units



17

Adapter for Amico pendants & headwalls



10

Adapter for Maquet anaesthesia machines



9

Adapter for Löwenstein Medical anaesthesia machines



4K

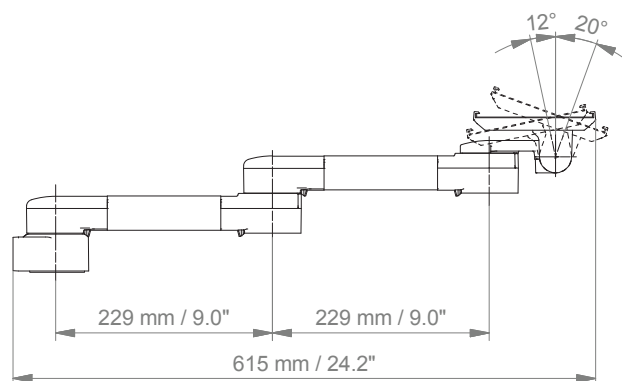
Adapter for anaesthesia machines with existing side channel

# Extended pivot arm light

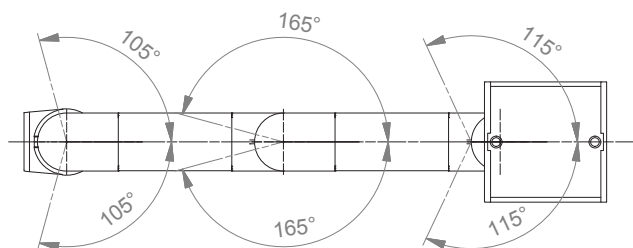
## Technical data

---

### SIDE VIEW



### TOP VIEW



# Extended pivot arm



<b>Monitor adaption</b>	5" plunge plate
<b>Colours to choose</b>	decorative parts RAL 5013 blue / RAL 7024 dark grey aluminum parts RAL 9016 pure white / RAL 9002 grey white
<b>Max. load capacity support arm</b>	18 kg / 39.7 lbs
<b>Max. load monitor adaptation</b>	18 kg / 39.7 lbs
<b>Product weight</b>	3 kg / 6.6 lbs
<b>Part number</b>	A-H33030A-Y.CD

## Fixings

Y | details page 25 and 26



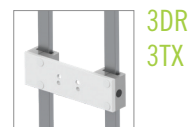
4V  
Adapter for vertical wall channel



2F  
Fixed rail clamp



3  
Vertical rail clamp



3DR  
3TX  
Dual vertical rail clamp



1  
1F  
1C  
1V  
Fixed / universal pole clamp



13  
Adapter for Mindray medical supply units



17  
Adapter for Amico pendants & headwalls



10  
Adapter for Maquet anaesthesia machines



9  
Adapter for Löwenstein Medical anaesthesia machines

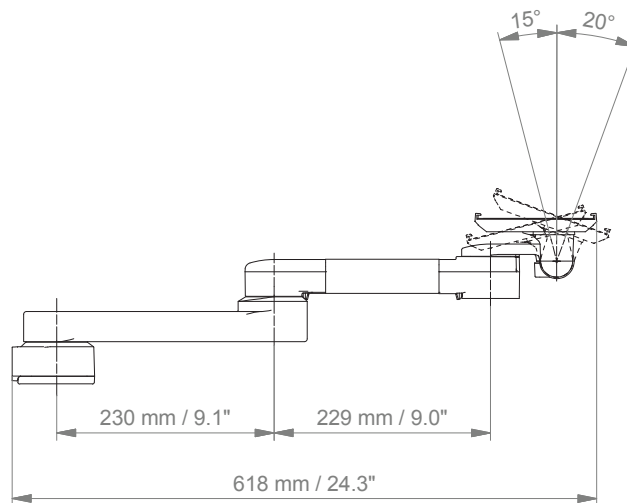


4K  
Adapter for anaesthesia machines with existing side channel

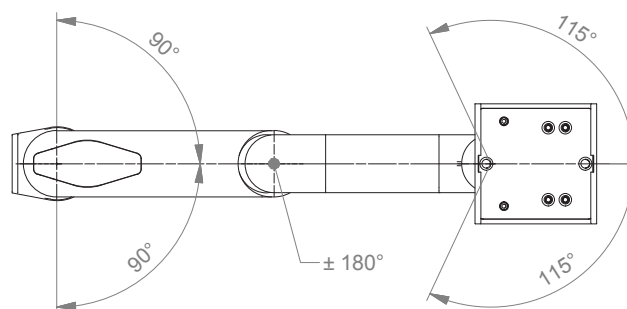
# Extended pivot arm

## Technical data

### SIDE VIEW



### TOP VIEW



# Height adjustable arm



<b>Monitor adaption</b>	5" plunge plate
<b>Height adjustment</b>	slow-flowing spring, parallel linkage for a constant viewing angle
<b>Colours to choose</b>	decorative parts RAL 5013 blue / RAL 7024 dark grey aluminum parts RAL 9016 pure white / RAL 9002 grey white
<b>Max. load capacity support arm</b>	22 kg / 48.5 lbs
<b>Max. load monitor adaptation</b>	18 kg / 39.7 lbs
<b>Product weight</b>	3.6 kg / 7.9 lbs
<b>Balancing range</b>	600 N (2-5 kg / 5.5-11 lbs); 950 N (4-9 kg / 8.8-19.8 lbs); 1300 N (7.5-13 kg / 16.5-28.7 lbs); 1750 N (13-16 kg / 28.7-35.3 lbs); 2200 N (16-22 kg / 35.3-48.5 lbs)
<b>Part number</b>	A-431A-Y.CD_X

## Fixings

Y | details page 25 and 26



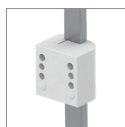
4V

Adapter for vertical wall channel



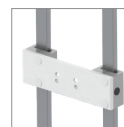
2F

Fixed rail clamp



3

Vertical rail clamp



3DR  
3TX

Dual vertical rail clamp



1  
1F  
1C  
1V

Fixed / universal pole clamp



13

Adapter for Mindray medical supply units



17

Adapter for Amico pendants & headwalls



10

Adapter for Maquet anaesthesia machines



9

Adapter for Löwenstein Medical anaesthesia machines



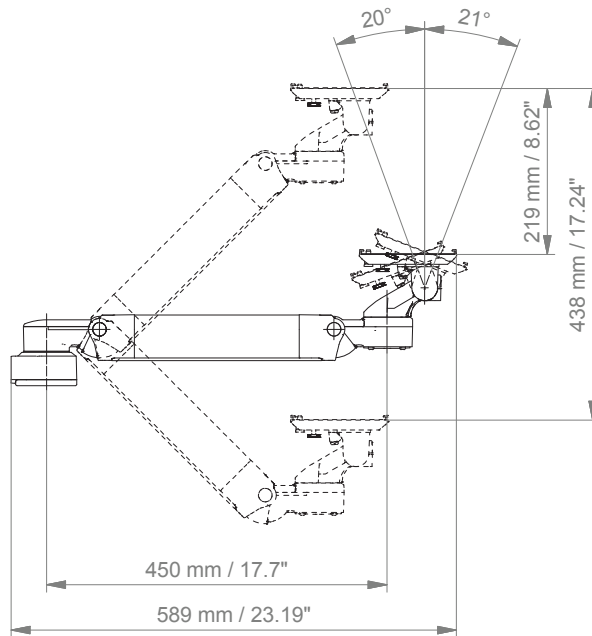
4K

Adapter for anaesthesia machines with existing side channel

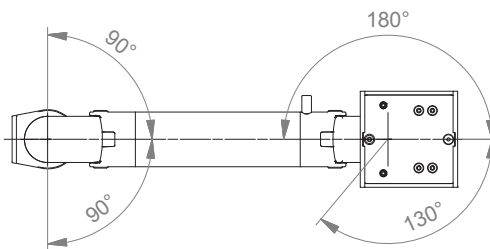
# Height adjustable arm

## Technical data

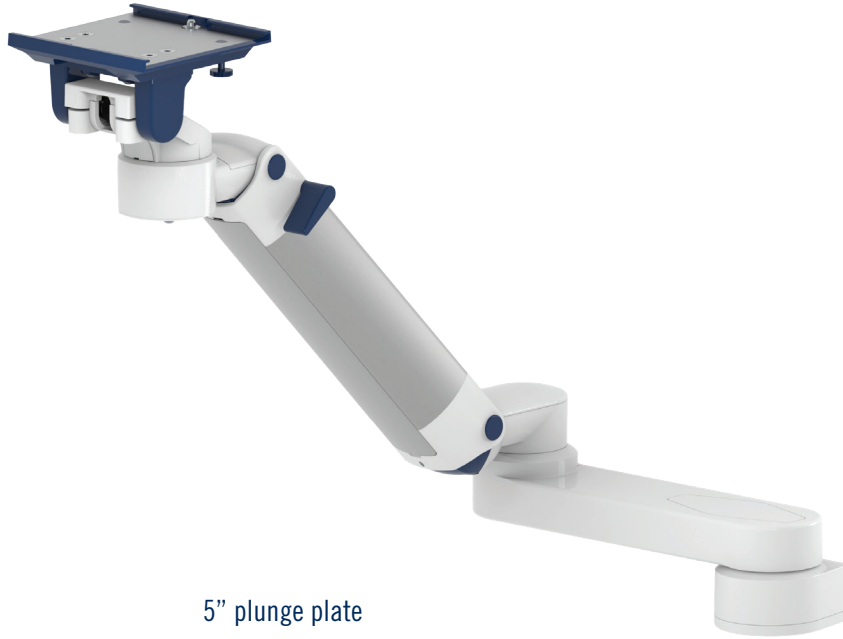
### SIDE VIEW



### TOP VIEW



# Extended height adjustable arm



<b>Monitor adaption</b>	5" plunge plate
<b>Height adjustment</b>	slow-flowing spring, parallel linkage for a constant viewing angle
<b>Colours to choose</b>	decorative parts RAL 5013 blue / RAL 7024 dark grey aluminum parts RAL 9016 pure white / RAL 9002 grey white
<b>Max. load capacity support arm</b>	22 kg / 48.5 lbs
<b>Max. load monitor adaptation</b>	18 kg / 39.7 lbs
<b>Product weight</b>	5.6 kg / 12.1 lbs
<b>Balancing range</b>	600 N (2-5 kg / 5.5-11 lbs); 950 N (4-9 kg / 8.8-19.8 lbs); 1300 N (7.5-13 kg / 16.5-28.7 lbs); 1750 N (13-16 kg / 28.7-35.3 lbs); 2200 N (16-22 kg / 35.3-48.5 lbs)
<b>Part number</b>	A-73130A-Y.CD_X

## Fixings

Y | details page 25 and 26



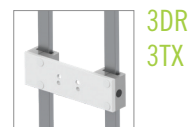
4V  
Adapter for vertical wall channel



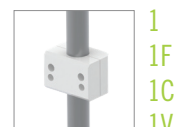
2F  
Fixed rail clamp



3  
Vertical rail clamp



3DR  
3TX  
Dual vertical rail clamp



1  
1F  
1C  
1V  
Fixed / universal pole clamp



13  
Adapter for Mindray medical supply units



17  
Adapter for Amico pendants & headwalls



10  
Adapter for Maquet anaesthesia machines



9  
Adapter for Löwenstein Medical anaesthesia machines

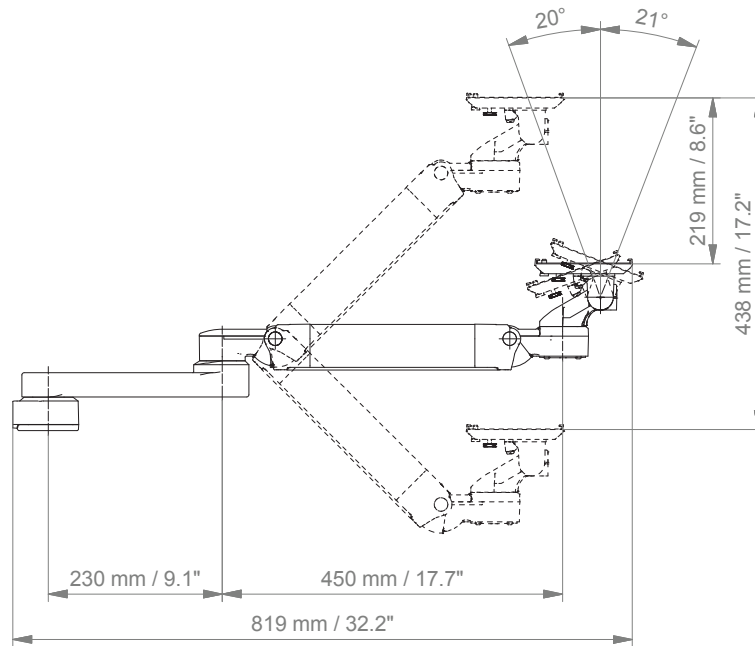


4K  
Adapter for anaesthesia machines with existing side channel

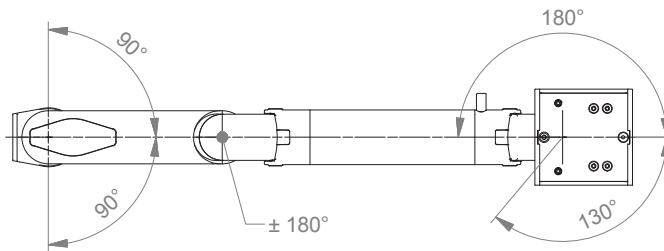
# Extended height adjustable arm

## Technical data

### SIDE VIEW

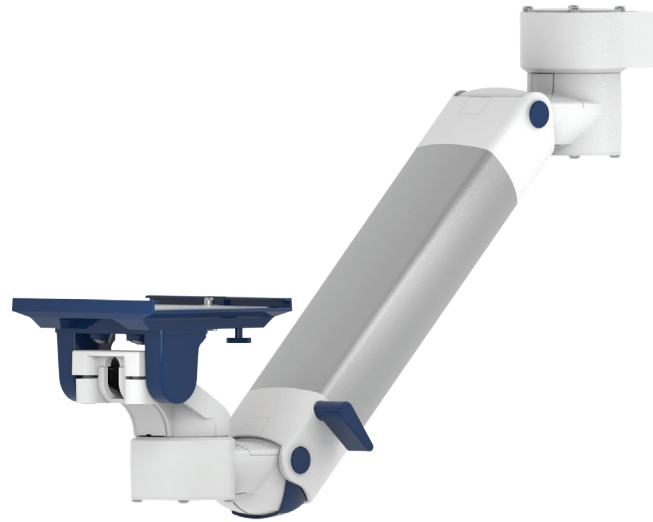


### TOP VIEW





# High position height adjustable arm



<b>Monitor adaption</b>	5" plunge plate
<b>Height adjustment</b>	slow-flowing spring, parallel linkage for a constant viewing angle
<b>Colours to choose</b>	decorative parts RAL 5013 blue / RAL 7024 dark grey aluminum parts RAL 9016 pure white / RAL 9002 grey white
<b>Max. load capacity support arm</b>	22 kg / 48.5 lbs
<b>Max. load monitor adaptation</b>	18 kg / 39.7 lbs
<b>Product weight</b>	3.6 kg / 7.9 lbs
<b>Balancing range</b>	600 N (2-5 kg / 5.5-11 lbs ); 950 N (4-9 kg / 8.8-19.8 lbs); 1300 N (7,5-13 kg / 16.5-28.7 lbs); 1750 N (13-16 kg / 28.7-35.3 lbs); 2200 N (16-22 kg / 35.3-48.5 lbs)
<b>Part number</b>	A-531A-Y.CD_X

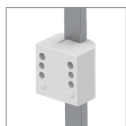
## Fixings

Y | details page 25



4U

Adapter for vertical wall channel



3

Vertical rail clamp



3DR  
3TX

Dual vertical rail clamp



1  
1F  
1C  
1V

Fixed / universal pole clamp



13

Adapter for Mindray medical supply units



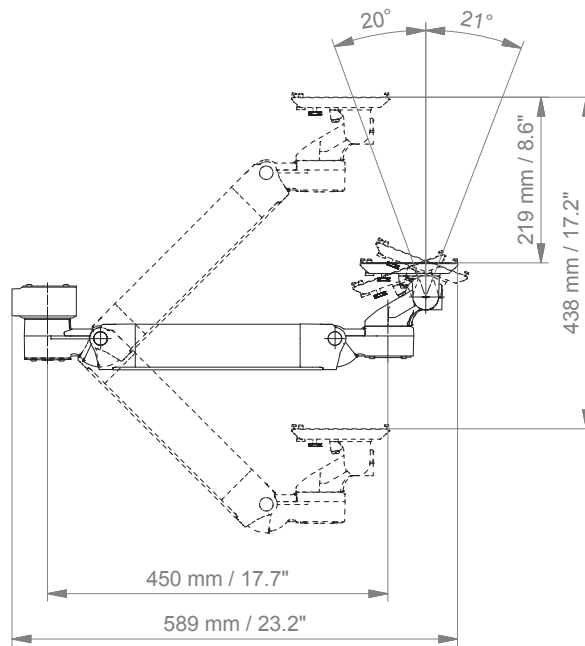
17

Adapter for Amico pendants & headwalls

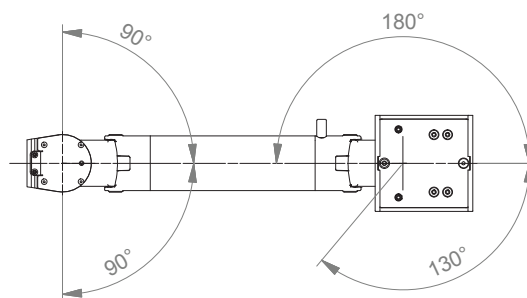
# High position height adjustable arm

## Technical data

### SIDE VIEW



### TOP VIEW



# Extended high position height adjustable arm



<b>Monitor adaption</b>	5" plunge plate
<b>Height adjustment</b>	slow-flowing spring, parallel linkage for a constant viewing angle
<b>Colours to choose</b>	decorative parts RAL 5013 blue / RAL 7024 dark grey aluminum parts RAL 9016 pure white / RAL 9002 grey white
<b>Max. load capacity support arm</b>	22 kg / 48.5 lbs
<b>Max. load monitor adaption</b>	18 kg / 39.7 lbs
<b>Product weight</b>	5.6 kg/ 12.3 lbs
<b>Balancing range</b>	600 N (2-5 kg / 5.5-11 lbs ); 950 N (4-9 kg / 8.8-19.8 lbs); 1300 N (7,5-13 kg / 16.5-28.7 lbs); 1750 N (13-16 kg / 28.7-35.3 lbs); 2200 N (16-22 kg / 35.3-48.5 lbs)
<b>Part number</b>	A-83130A-Y.CD_X

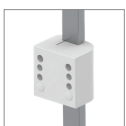
## Fixings

Y | details page 25



4U

Adapter for vertical wall channel



3

Vertical rail clamp



3DR  
3TX

Dual vertical rail clamp



1  
1F  
1C  
1V

Fixed / universal pole clamp



13

Adapter for Mindray medical supply units



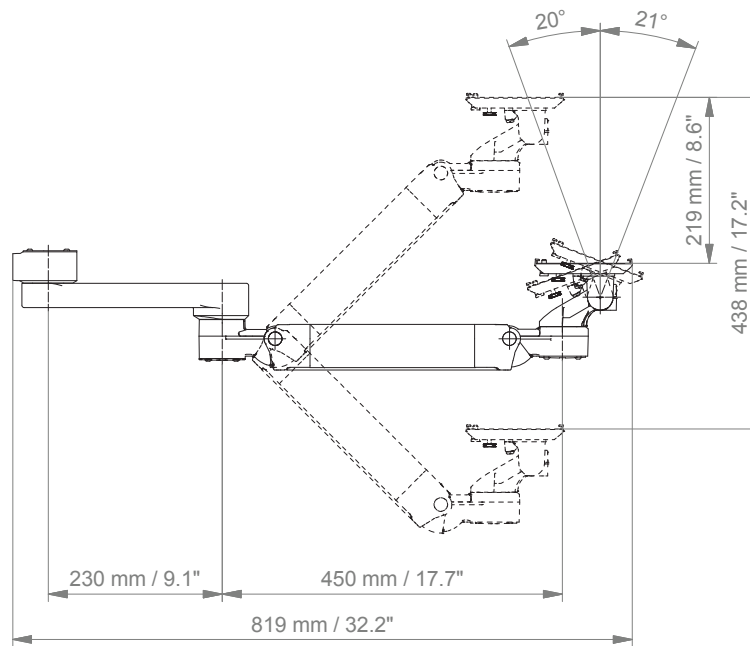
17

Adapter for Amico pendants & headwalls

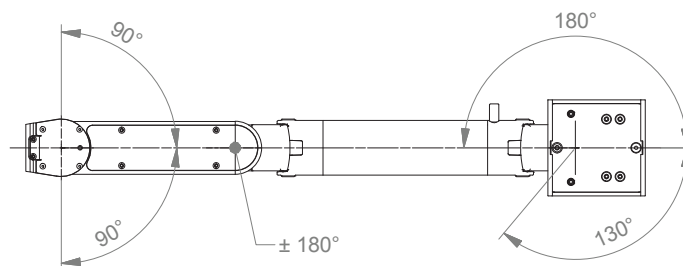
# Extended high position height adjustable arm

## Technical data

### SIDE VIEW



### TOP VIEW



## Counter top

---



**Monitor adaption**

5" plunge plate

**Colours to choose**

decorative parts RAL 5013 blue / RAL 7024 dark grey  
 aluminum parts RAL 9016 pure white / RAL 9002 grey white

**Max. load monitor adaptation**

18 kg / 39.7 lbs

**Part number**

Counter top with base plate (see illustration)

T-HA-60.CD\_50 height 50 mm / 2"

T-HA-60.CD\_120 height 120 mm / 4.7"

Counter top without base plate

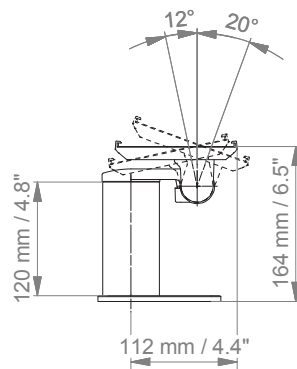
T-HA-69.CD\_50 height 50 mm / 2"

T-HA-69.CD\_120 height 120 mm / 4.7"

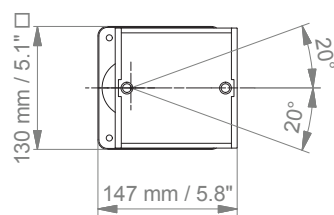
# Counter top

Technical data - with base plate

SIDE VIEW



TOP VIEW



## Cart light duty



**Monitor adaption**

5" plunge plate with tilt function

**Accessories**

5-star base aluminum base with counter weight  
 double wheel castors, ø 100 mm / 3.9", 2 lockable  
 column to accept components and accessories on opposite sides

**Colours to choose**

decorative parts RAL 5013 blue / RAL 7024 dark grey  
 base RAL 9016 pure white (part no. code 1) / RAL 5013 blue (part no. code 6)

**Max. load capacity**

14 kg / 30.9 lbs

**Optional accessories**

basket big 300 x 200 x 180 mm / 11.8 x 7.9 x 7.1"  
 basket small 200 x 150 x 100 mm / 7.9 x 5.9 x 3.9"  
 handle

**Part number**

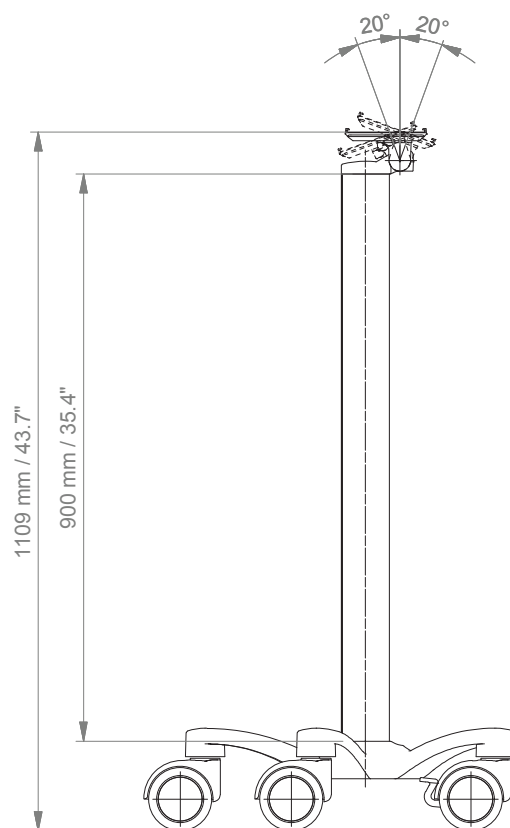
cart	R-002A.CD
basket big	Z-51-4Z
basket small	Z-52-4Z
handle	Z-HD-4.e1

# Cart light duty

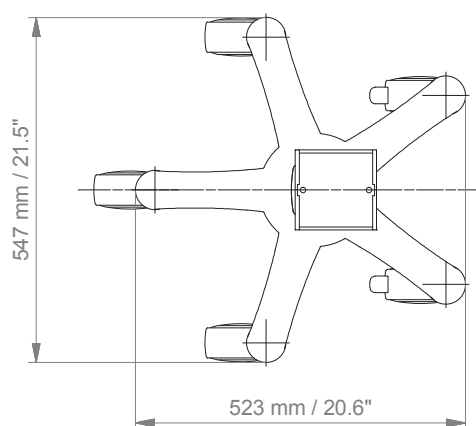
## Technical data

---

### SIDE VIEW



### TOP VIEW





# Fixings

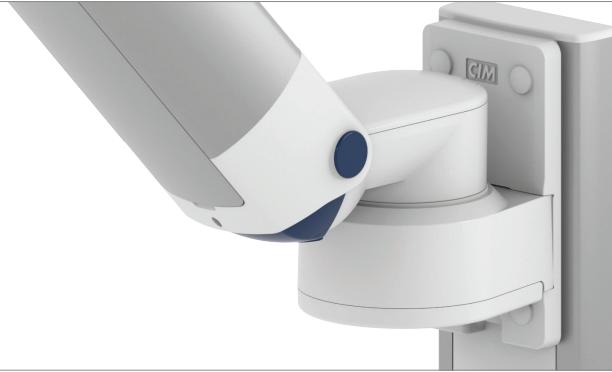










Illustration	Description	Notes	Part no.
	Adapter for vertical wall channel	To mount to CIM wall channel (compatible with GCX channel) For arms with high mounting positions Please order separately: CIM wall channel, see catalogue accessoires	4V 4U
	Fixed rail clamp	To mount to horizontal European rails 10 x 25, 8 x 35, 10 x 30, 10 x 50 mm	2F
	Vertical rail clamp	To mount to vertical European rail 10 x 25 mm	3
	Dual vertical rail clamp	To mount to two parallel vertical European rails 10 x 25, 8 x 35, 10 x 30, 10 x 50 mm Distance between rails 150 mm / 5.9", e.g. Dräger pendant Distance between rails 225 mm / 8.9", e.g. Trilux pendant	3DR 3TX
	Fixed pole clamp	To mount to pole $\varnothing$ 25 mm / 1.0" To mount to pole $\varnothing$ 35 mm / 1.4" To mount to pole $\varnothing$ 38 mm / 1.5"	1 1F 1C
	Universal pole clamp	V-block to mount to pole $\varnothing$ 23 - 40 mm / 0.9 - 1.6"	1V
	Adapter medical supply units	For Mindray medical supply units	13
	Adapter pendants & headwalls	For Amico pendants & headwalls	17

## Fixings for anaesthesia machines



Illustration	Description	Notes	Part. no.
	Adapter for Maquet anaesthesia machines	Cone adapter for Maquet FLOW i	10
	Adapter for Löwenstein Medical anaesthesia machines	Adapter for Leon / Leon plus	9
	Adapter for anaesthesia machines (all suppliers)	H 80 mm / 3.1" With existing side channel	4K
<b>If your anaesthesia machine does not have a side channel already mounted to the machine, please order the following in addition to 4K:</b>			
	Adapter for Dräger	Dräger Primus / Julian / Cato / Fabius GS / Zeus side channel adapter L 127 mm / 5" side channel adapter L 320 mm / 12.6"	DR-J01 DR-J02
			
	Adapter for GE	GE Avance / Aespire / Aestiva side channel adapter L 200 mm / 7.9"	DX-AES-01
			



CIM med GmbH

Euro-Industriepark  
Margot-Kalinke-Str. 9  
80939 Munich / Germany

T +49 89. 978 94 08-0

F +49 89. 978 94 08-29

M [info@cim-med.com](mailto:info@cim-med.com)

[www.cim-med.com](http://www.cim-med.com)

