



MOUNTING REFERENCE GUIDE

Keyboard & Mouse

CIM Cable Integrated Mounting System



Content

General notes	3
How to create part numbers	4
Product highlights	6
Support arm pivot	7
Extended pivot arm light	9
Height adjustable arm	11
Extended height adjustable arm	13
Keyboard tray options	15
Fixings	18
Fixings for anaesthesia machines	19

General notes

Components' grounding

All arms with integrated cable management are equipped with **component grounding**. No grounding is required for arms with external or semi-integrated cable management with cables not being led through joints.

Load capacity

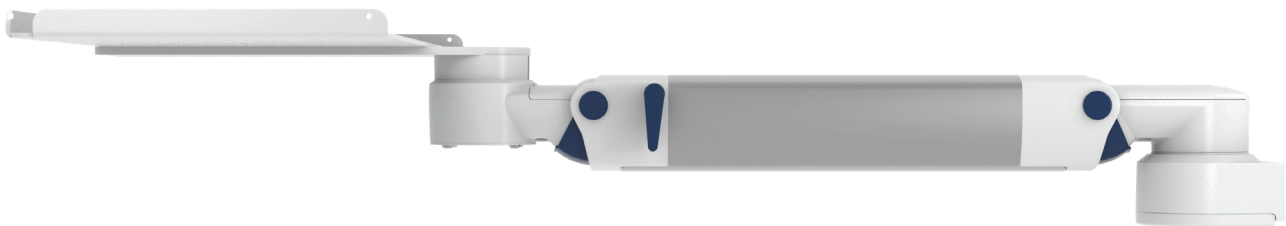
All **height adjustable arms** have a load capacity of 22 kg / 48.5 lbs. Rear mounted monitor adaptations and horizontally mounted 5" plunge plates accept a maximum monitor weight of 18 kg / 39.7 lbs. An additional 4 kg / 8.8 lbs may be mounted on a down post underneath the front swivel part. Depending on material and tensile factor all weight indications have a 4-fold and / or 6-fold safety factor according to EN 60601-1, 3rd Edition regulations.

Custom-designed solutions and MRI applications

Please contact us for **custom-designed** solutions.

Product marking

All CIM products are CE marked. As **medical product risk class 1** and they conform with the regulations MDD 93/42 ECC and EN 60601-1, 3rd Edition. TUEV reports for numerous products especially for anaesthesia applications guarantee electrical and mechanical safety of our products and are available upon request.



How to create part numbers

Part numbers can be easily created by following the steps below:

Please replace the letters in **green** with the part no. code as per your requirements.

1. Components' grounding:

A = grounded

2. Choose the arm version required:

224E / 230E = support arm pivot
 33030E = extended pivot arm light
 431E = height adjustable arm
 73130E = extended height adjustable arm

3. Specify where you want to mount the arm and select the fixing (Y):

1V = pole ø 23 - 40 mm / 0.9 - 1.6"
 1 = pole ø 25 mm / 1.0"
 1F = pole ø 35 mm / 1.4"
 1C = pole ø 38 mm / 1.5"
 2F = horizontal rails 10 x 25, 8 x 35, 10 x 30, 10 x 50 mm
 3 = vertical rail 10 x 25 mm
 3DR = dual vertical rails, distance 150 mm/ 5.9"
 3TX = dual vertical rails, distance 225 mm/ 8.9"
 4V = vertical wall channel
 13 = Mindray medical supply units
 17 = Amico pendants & headwalls
 9 = Löwenstein Medical anaesthesia machine
 10 = Maquet FLOW i anaesthesia machine
 4K = anaesthesia machine with existing channel

How to create part numbers

4. Choose the colour requested for decorative parts (C):

gr = RAL 7024 (dark grey)
 bl = RAL 5013 (blue)

5. Choose the colour requested for the aluminium die-cast parts (D):

1 = RAL 9016 (pure white)
 2 = RAL 9002 (grey white)

6. Specify the spring depending on the weight of your monitor/ device - only with height adjustable arms (X):

60 = 0 - 4 kg / 0 - 8.8 lbs

7. Specify the requested size of the keyboard tray and mouse (T):

Standard	Magnetic	With wrist rest		Dimensions
30	30S		=	300 x 210 mm / 11.8 x 8.3"
40	40S		=	400 x 150 mm / 15.7 x 5.9"
50	50S	50W	=	500 x 200 mm / 19.7 x 7.9"
58	58S	58W	=	580 x 200 mm / 22.8 x 7.9"
RC			=	480 x 220 mm (retractable mouse tray left/right 226 mm / 8.9")

Example

01 Grounding		02 Arm version		03 Fixing		04 & 05 Colour		06 Spring tension		07 Keyboard tray
A	-	431E	-	Y	.	CD	-	60	-	T
A	-	431E	-	4V	.	gr1	-	60	-	58S

Product highlights

Non-height adjustable arm

Pivot and extended pivot arms offer **full cable integration** and easy cleaning for **infection control** in all critical care areas in the clinical environment. Our **5-years warranty** guarantees reliable, trouble-free and maintenance-free operation. The swivel function at the fixing point as well as the **tilt/ swivel function** of the monitor adaptation offers optimum positioning of your device. The extended pivot arm is a two-part arm with central pivot point between the two arm sections. All bottom-mounted monitors have the safety feature of a **20° tilt stop**.

Height adjustable arm

The height adjustable arm offers **full cable integration**, one-wipe clean surfaces and our **5-year warranty** on the entirety of the product. Vertically and horizontally adjustable, the arm offers optimal positioning of your device. A constant viewing angle when vertically adjusted is guaranteed by a parallel linkage. **Weight-optimized springs counter-balance** the monitor without making any adjustments. All bottom-mounted monitors have the safety feature of a **20° tilt stop**. Individual rotational stops may be integrated in any joint.

To provide the perfect combination of arm and monitor, the CIM articulated height adjustable arm has a simple quarter-turn lock to hold the arm safely in position when removing the monitor. Furthermore the arm is equipped with the unique safety feature of a slow-release gas spring. Should anybody try to remove the monitor before locking the arm in position, the arm will only rise at a slow and even tempo.

SAFETY

Support arm pivot



Keyboard tray

dimensions page 15

Colours to choose

aluminium parts RAL 9016 pure white / RAL 9002 grey white

Max. load capacity support arm

16 kg / 35.3 lbs

Max. load keyboard tray

5 kg / 11 lbs

Product weight

240 mm: 1.9 - 3.5 kg / 9.5": 4.2 - 7.7 lbs (according to dimensions of keyboard tray)

300 mm: 2 - 3.6 kg / 11.8": 4.4 - 79.4 lbs (according to dimensions of keyboard tray)

Part number

arm length 240 mm / 9.5"

arm length 300 mm / 11.8"

A-224E-Y.D_T

A-230E-Y.D_T

Fixings

Y | details page 18 and 19



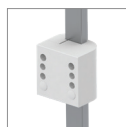
4V

Adapter for vertical wall channel



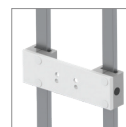
2F

Fixed rail clamp



3

Vertical rail clamp



3DR
3TX

Dual vertical rail clamp



1
1F
1C
1V

Fixed / universal pole clamp



13

Adapter for Mindray medical supply units



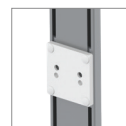
17

Adapter for Amico pendants & headwalls



10

Adapter for Maquet anaesthesia machines



9

Adapter for Löwenstein Medical anaesthesia machines



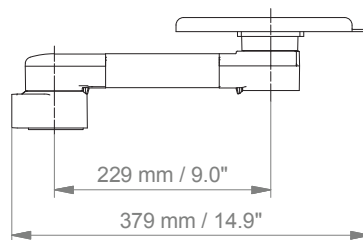
4K

Adapter for anaesthesia machines with existing side channel

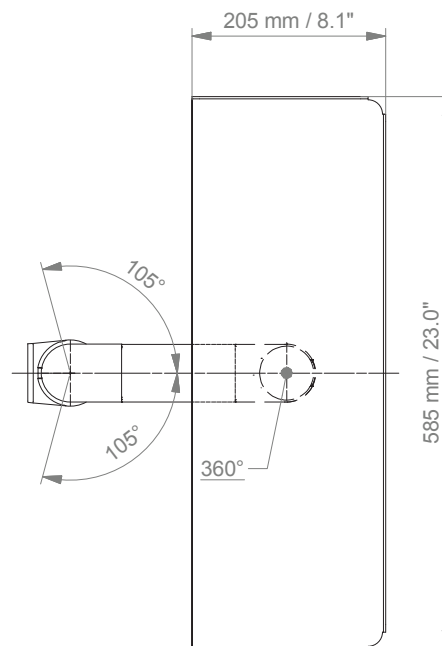
Support arm pivot

Technical data - arm length 300 mm / 11.8", keyboard tray 580 x 200 mm / 22.8 x 7.9"

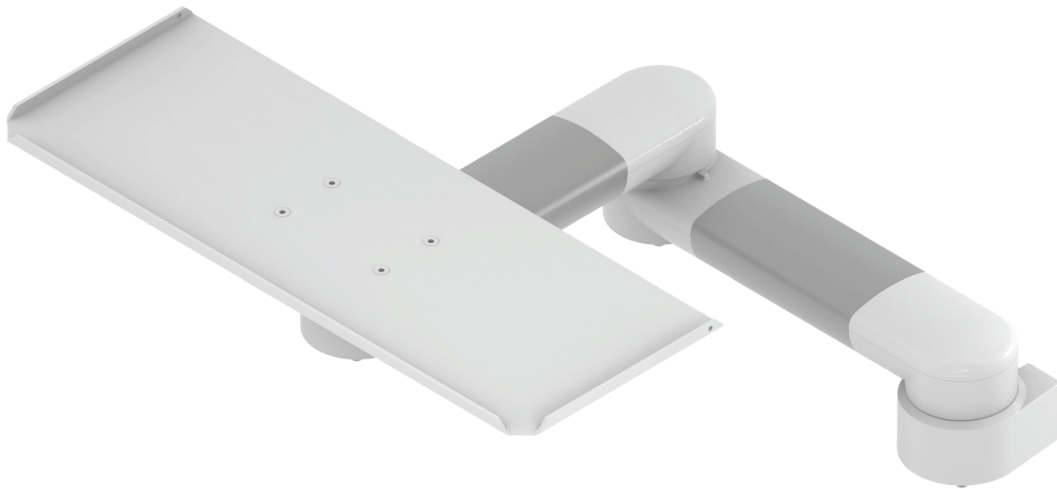
SIDE VIEW



TOP VIEW



Extended pivot arm light



Keyboard tray

dimensions page 15

Colours to choose

aluminium parts RAL 9016 pure white / RAL 9002 grey white

Max. load capacity support arm

6 kg / 13.3 lbs

Max. load keyboard tray

5 kg / 11 lbs

Product weight

2.7 - 4.4 kg / 9.5": 6 - 9.7 lbs (according to dimensions of keyboard tray)

Part number

A-33030E-Y.D_T

A-230E-Y.D_T

Fixings

Y | details page 18 and 19



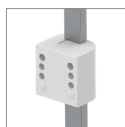
4V

Adapter for vertical wall channel



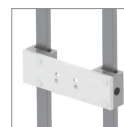
2F

Fixed rail clamp



3

Vertical rail clamp



3DR
3TX

Dual vertical rail clamp



1
1F
1C
1V

Fixed / universal pole clamp



13

Adapter for Mindray medical supply units



17

Adapter for Amico pendants & headwalls



10

Adapter for Maquet anaesthesia machines



9

Adapter for Löwenstein Medical anaesthesia machines



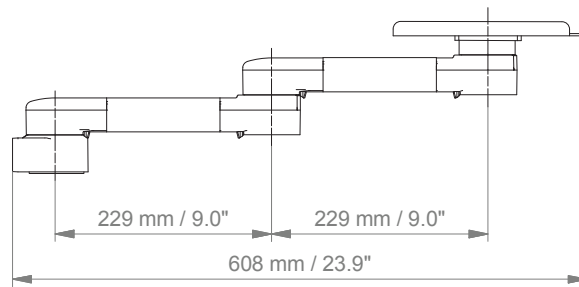
4K

Adapter for anaesthesia machines with existing side channel

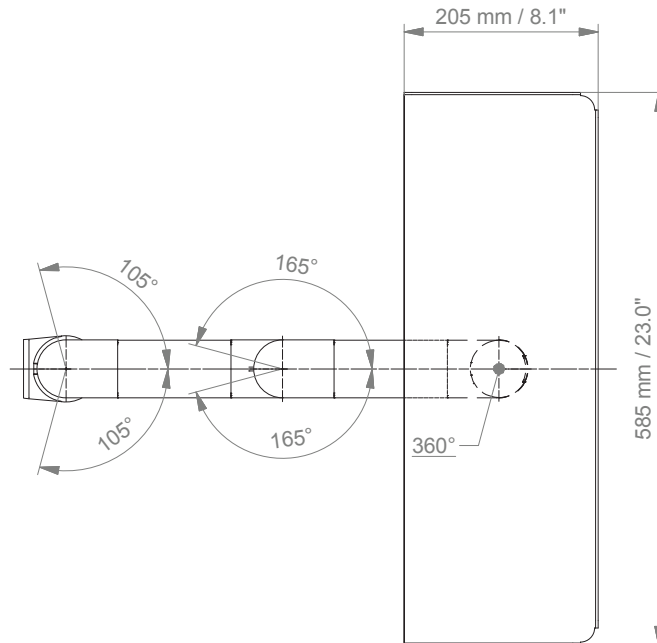
Extended pivot arm light

Technical data - keyboard tray 580 x 200 mm / 22.8 x 7.9"

SIDE VIEW



TOP VIEW



Height adjustable arm



Keyboard tray	dimensions page 15
Height adjustment	slow-flowing spring, parallel linkage for a constant viewing angle
Colours to choose	decorative parts RAL 5013 blue / RAL 7024 dark grey aluminum parts RAL 9016 pure white / RAL 9002 grey white
Max. load capacity support arm	20 kg / 44.1 lbs
Max. load keyboard tray	5 kg / 11 lbs
Product weight	4.4 - 6 kg / 9.7 - 13.3 lbs (according to dimensions of keyboard tray)
Balancing range	600 N (0 - 4 kg / 0 - 8.8 lbs)
Part number	A-431E-Y.CD_60_T

Fixings

Y | details page 18 and 19



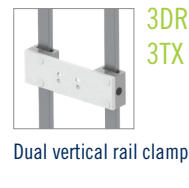
Adapter for vertical wall channel



Fixed rail clamp



Vertical rail clamp



Dual vertical rail clamp



Fixed / universal pole clamp



Adapter for Mindray medical supply units



Adapter for Amico pendants & headwalls



Adapter for Maquet anaesthesia machines



Adapter for Löwenstein Medical anaesthesia machines

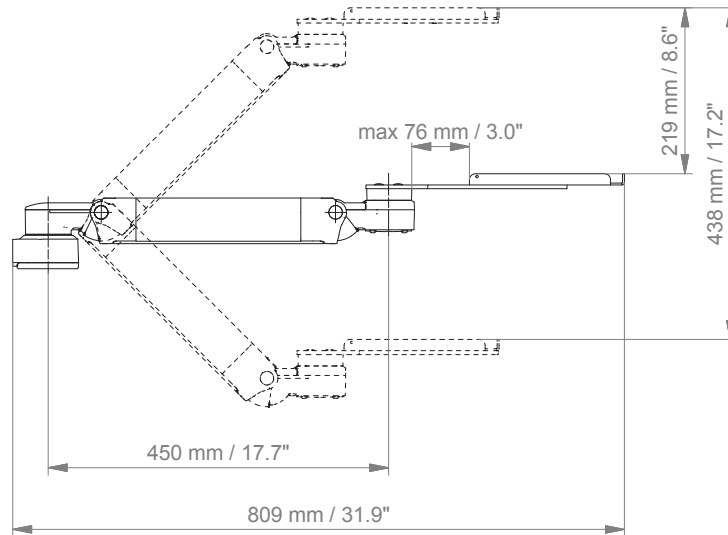


Adapter for anaesthesia machines with existing side channel

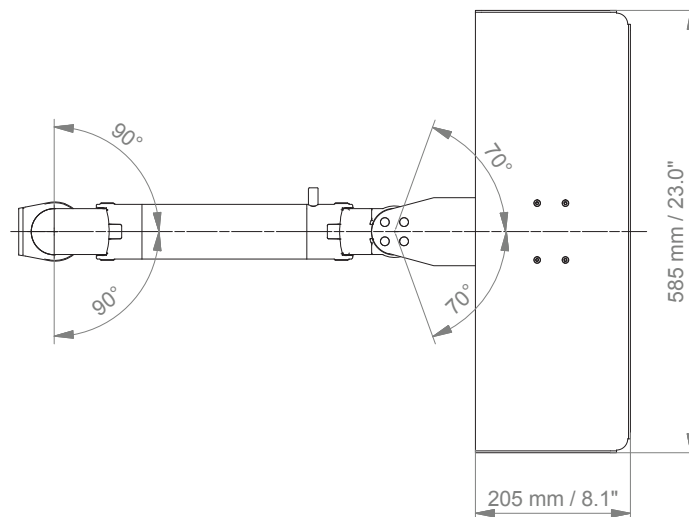
Height adjustable arm

Technical data - keyboard tray 580 x 200 mm / 22.8 x 7.9"

SIDE VIEW



TOP VIEW



Extended height adjustable arm



Keyboard tray	dimensions page 15
Height adjustment	slow-flowing spring, parallel linkage for a constant viewing angle
Colours to choose	decorative parts RAL 5013 blue / RAL 7024 dark grey aluminum parts RAL 9016 pure white / RAL 9002 grey white
Max. load capacity support arm	20 kg / 44.1 lbs
Max. load keyboard tray	5 kg / 11 lbs
Product weight	6.3 - 7.9 kg / 13.9 - 17.4 lbs (according to dimensions of keyboard tray)
Balancing range	600 N (0 - 4 kg / 0 - 8.8 lbs)
Part number	A-73130E-Y.CD_60_T

Fixings

Y | details page 18 and 19



4V

Adapter for vertical wall channel



2F

Fixed rail clamp



3

Vertical rail clamp



3DR
3TX

Dual vertical rail clamp



1
1F
1C
1V

Fixed / universal pole clamp



13

Adapter for Mindray medical supply units



17

Adapter for Amico pendants & headwalls



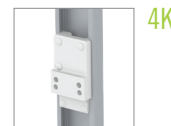
10

Adapter for Maquet anaesthesia machines



9

Adapter for Löwenstein Medical anaesthesia machines



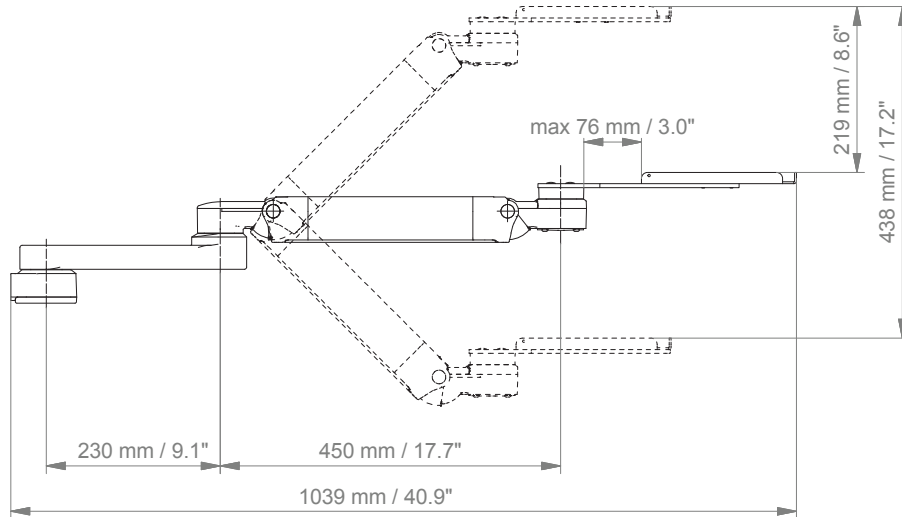
4K

Adapter for anaesthesia machines with existing side channel

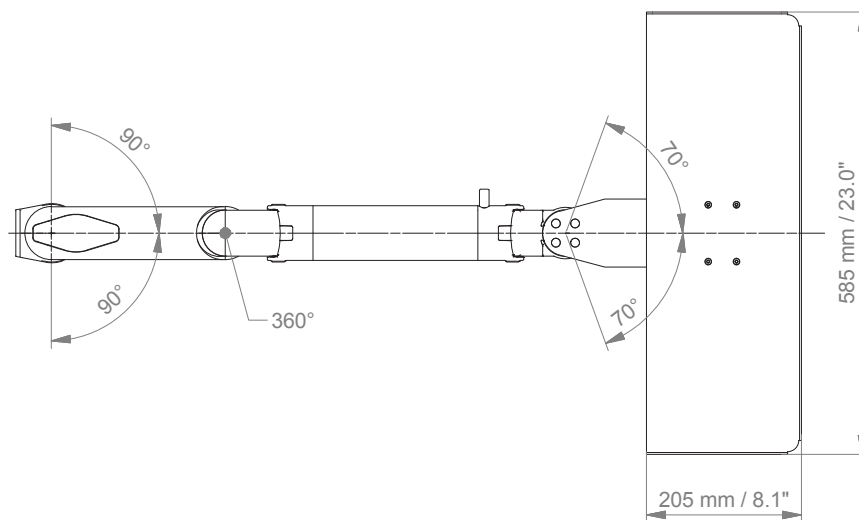
Extended height adjustable arm

Technical data - keyboard tray 580 x 200 mm / 22.8 x 7.9"

SIDE VIEW

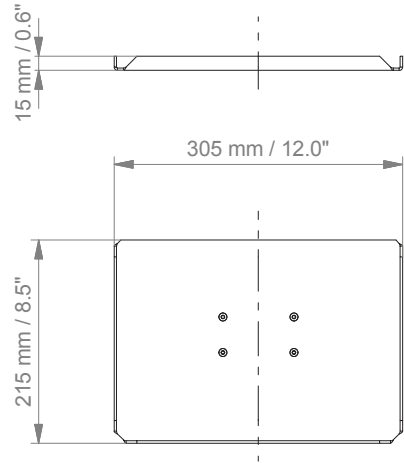


TOP VIEW

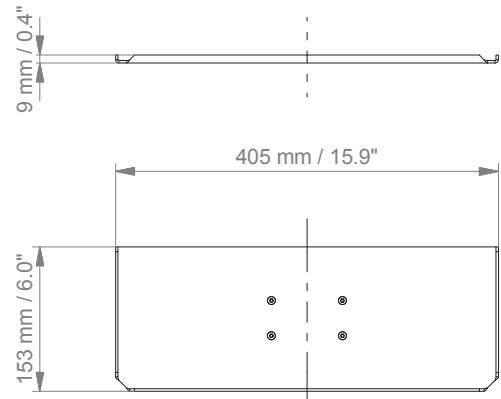


Keyboard tray options

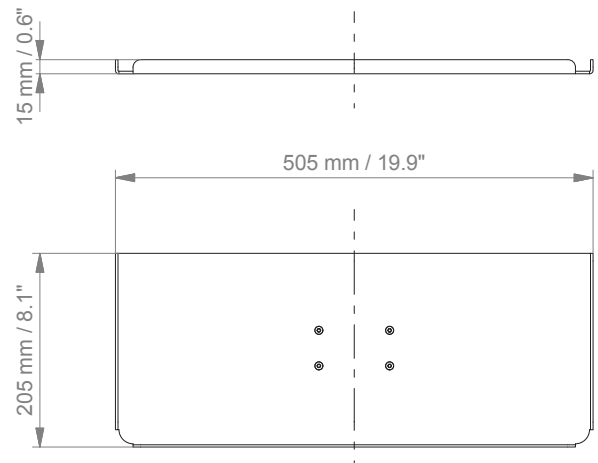
Keyboard tray 300 x 210 mm / 11.8" x 8.3"



Keyboard tray 400 x 150 mm / 15.7" x 5.9"

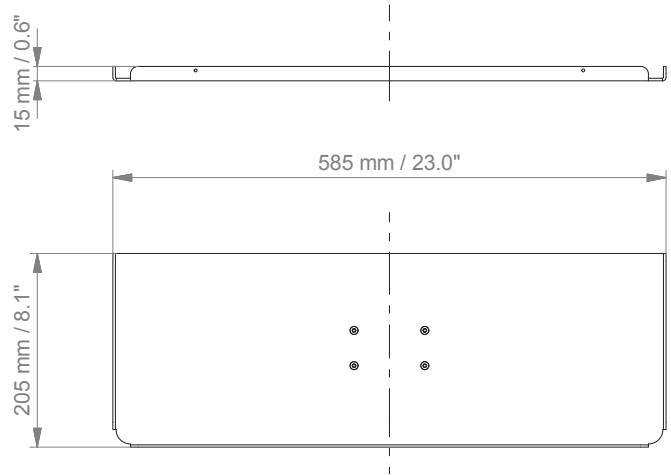


Keyboard tray 500 x 200 mm / 19.7" x 7.9"

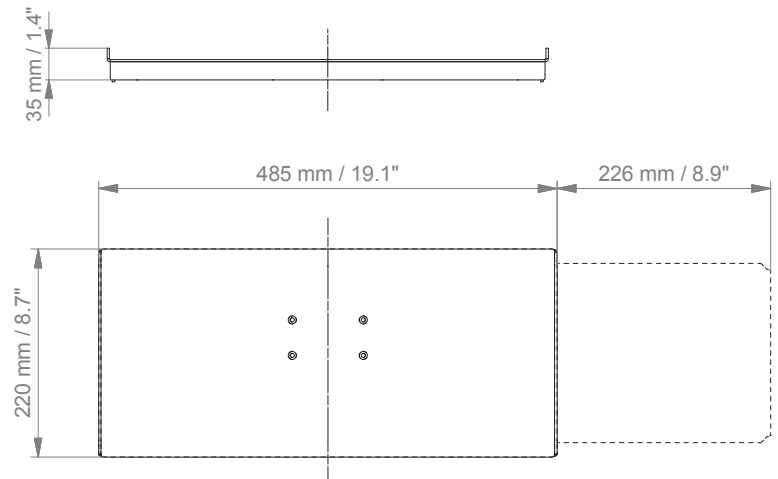


Keyboard tray options

Keyboard tray 580 x 200 mm / 22.8" x 7.9"

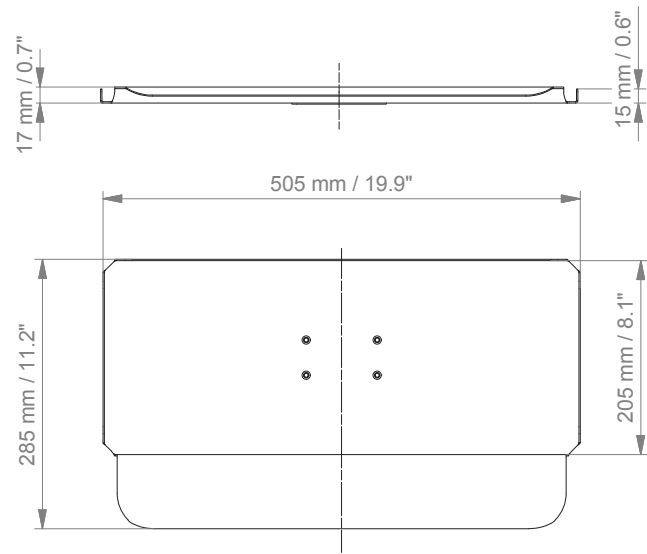


Keyboard tray with retractable left / right mouse tray 480 x 220 mm / 18.9" x 8.7", mouse tray 226 mm / 8.9"

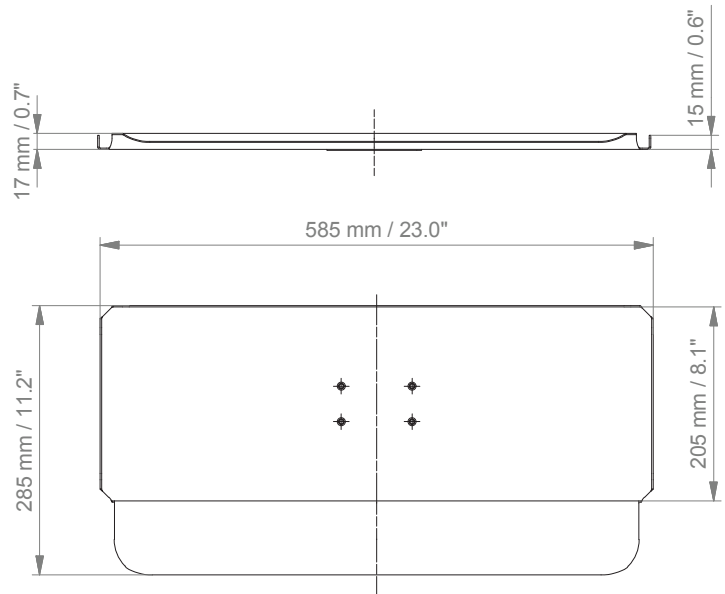


Tray for keyboard and mouse

Keyboard tray with wrist rest 500 x 200 mm / 19.7 x 7.9"



Keyboard tray with wrist rest 580 x 200 mm / 22.8 x 7.9"



Fixings

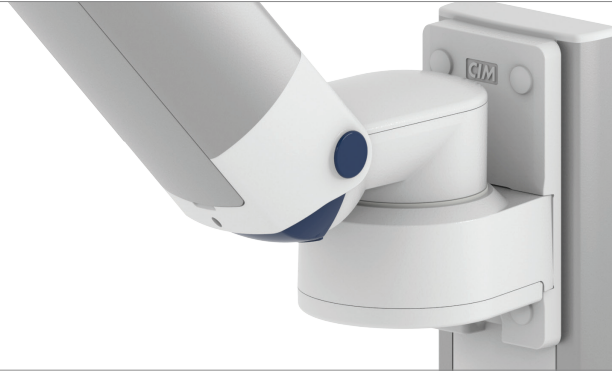










Illustration	Description	Notes	Part no.
	Adapter for vertical wall channel	To mount to CIM wall channel (compatible with GCX channel) Please order separately: CIM wall channel, see catalogue accessoires	4V
	Fixed rail clamp	To mount to horizontal European rails 10 x 25, 8 x 35, 10 x 30, 10 x 50 mm	2F
	Vertical rail clamp	To mount to vertical European rail 10 x 25 mm	3
	Dual vertical rail clamp	To mount to two parallel vertical European rails 10 x 25, 8 x 35, 10 x 30, 10 x 50 mm Distance between rails 150 mm / 5.9", e.g. Dräger pendant Distance between rails 225 mm / 8.9", e.g. Trilux pendant	3DR 3TX
	Fixed pole clamp	To mount to pole \varnothing 25 mm / 1.0" To mount to pole \varnothing 35 mm / 1.4" To mount to pole \varnothing 38 mm / 1.5"	1 1F 1C
	Universal pole clamp	V-block to mount to pole \varnothing 23 - 40 mm / 0.9 - 1.6"	1V
	Adapter medical supply units	For Mindray medical supply units	13
	Adapter pendants & headwalls	For Amico pendants & headwalls	17

Fixings for anaesthesia machines

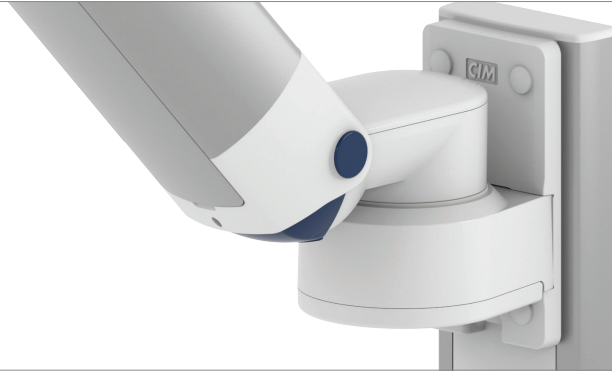


Illustration	Description	Notes	Part no.
	Adapter for Maquet anaesthesia machines	Cone adapter for Maquet FLOW i	10
	Adapter for Löwenstein Medical anaesthesia machines	Adapter for Leon / Leon plus	9
	Adapter for anaesthesia machines (all suppliers)	H 80 mm / 3.1" With existing side channel	4K
If your anaesthesia machine does not have a side channel already mounted to the machine, please order the following in addition to 4K:			
	Adapter for Dräger	Dräger Primus / Julian / Cato / Fabius GS / Zeus side channel adapter L 127 mm / 5" side channel adapter L 320 mm / 12.6"	DR-J01 DR-J02
			
	Adapter for GE	GE Avance / Aespire / Aestiva side channel adapter L 200 mm / 7.9"	DX-AES-01
			



CIM med GmbH

Euro-Industriepark
Margot-Kalinke-Str. 9
80939 Munich / Germany

T +49 89. 978 94 08-0

F +49 89. 978 94 08-29

M info@cim-med.com

www.cim-med.com

