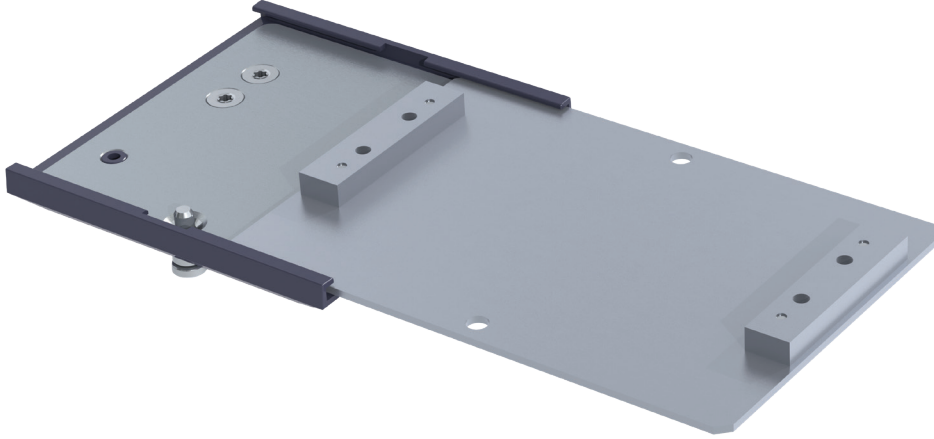


Monitor-Specific Mounting Adapter GE



Type of monitor	Description	Part No.
Dinamap V100 / Procare	Mounting adapter for 5" plunge plate	GE-AP-PR1

Adapter plates are only supplied with CIM support arms, counters tops or carts. Exceptions can be made on request, however, please note that price and part number will change when sold separately (K-AP-PR1).