

# Height adjustable arm for flat panel and keyboard / work surface



<b>Monitor / keyboard adaption</b>	VESA 75/100 with fold-up Z-bracket and keyboard / mouse tray with wrist rest
<b>Height adjustment</b>	slow-flowing spring, parallel linkage for a constant viewing angle
<b>Colours to choose</b>	decorative parts RAL 5013 cobalt blue / RAL 7024 graphite grey aluminum parts RAL 9016 traffic white / RAL 9002 grey white
<b>Max. load capacity support arm</b>	17 kg / 37.5 lbs
<b>Max. load monitor adaptation</b>	14 kg / 30.9 lbs
<b>Product weight</b>	8.6 kg / 19 lbs
<b>Keyboard tray</b>	580 x 200 mm / 22.8 x 7.9"
<b>Balancing range</b>	1300 N (4 - 8 kg / 8.8 - 17.6 lbs); 1750 N (9 - 12 kg / 19.8 - 26.5 lbs); 2200 N (12.5 - 15.5 kg / 27.6 - 34.2 lbs)
<b>Part number</b>	A-431MTW-Y.CD_X_58W

## Fixings

Y



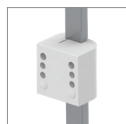
4V

Adapter for vertical wall channel



2F

Fixed rail clamp



3

Vertical rail clamp



3DR  
3TX

Dual vertical rail clamp



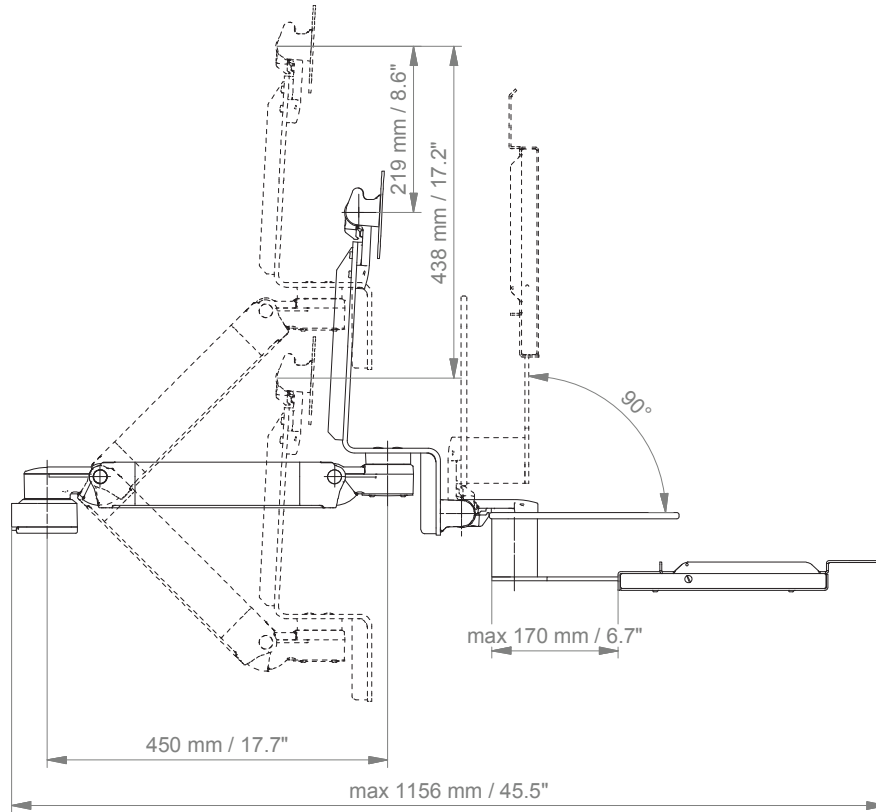
1  
1F  
1C  
1V

Fixed / universal pole clamp

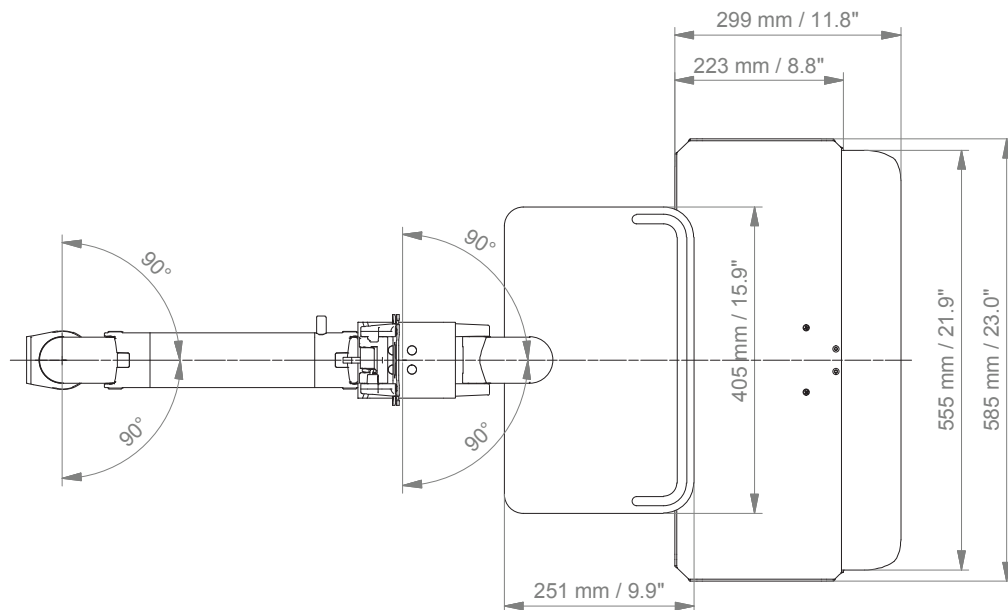
# Height adjustable arm for flat panel and keyboard / work surface

## Technical data

### SIDE VIEW



### TOP VIEW



# Fixings

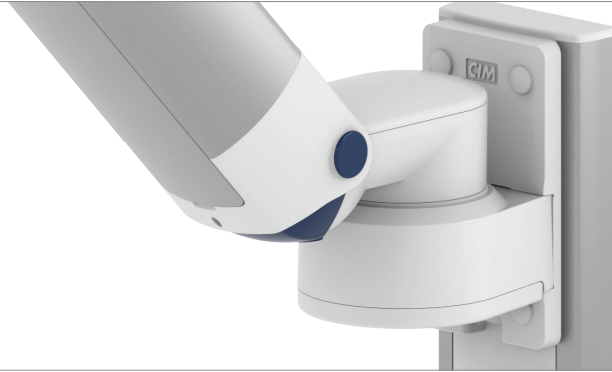








Illustration	Description	Notes	Part no.
	Adapter for vertical wall channel	To mount to CIM wall channel (compatible with GCX channel) Please order separately: CIM wall channel, see catalogue accessoires	4V
	Fixed rail clamp	To mount to horizontal European rails 10 x 25, 8 x 35, 10 x 30, 10 x 50 mm	2F
	Vertical rail clamp	To mount to vertical European rail 10 x 25 mm	3
	Dual vertical rail clamp	To mount to two parallel vertical European rails 10 x 25, 8 x 35, 10 x 30, 10 x 50 mm Distance between rails 150 mm / 5.9", e.g. Dräger pendant Distance between rails 225 mm / 8.9", e.g. Trilux pendant	3DR 3TX
	Fixed pole clamp	To mount to pole $\varnothing$ 25 mm / 1.0" To mount to pole $\varnothing$ 35 mm / 1.4" To mount to pole $\varnothing$ 38 mm / 1.5"	1 1F 1C
	Universal pole clamp	V-block to mount to pole $\varnothing$ 23 - 40 mm / 0.9 - 1.6"	1V

# How to create part numbers

---

Part numbers can be easily created by following the steps below:

Please replace the letters in **green** with the part no. code as per your requirements.

## 1. Components' grounding:

A = grounded

## 2. Choose the arm version required:

431ETW = height adjustable arm with fold-up  
 431MTW = height adjustable arm with fold-up Z bracket  
 73130ETW = extended height adjustable arm with fold-up  
 73130MTW = extended height adjustable arm with fold-up Z bracket

## 3. Specify where you want to mount the arm and select the fixing (Y):

1V = pole ø 23 - 40 mm / 0.9 - 1.6"  
 1 = pole ø 25 mm / 1.0"  
 1F = pole ø 35 mm / 1.4"  
 1C = pole ø 38 mm / 1.5"  
 2F = horizontal rails 10 x 25, 8 x 35, 10 x 30, 10 x 50 mm  
 3 = vertical rail 10 x 25 mm  
 3DR = dual vertical rails, distance 150 mm/ 5.9"  
 3TX = dual vertical rails, distance 225 mm/ 8.9"  
 4V = vertical wall channel

## 4. Choose the colour requested for decorative parts (C):

gr = RAL 7024 (graphite grey)  
 bl = RAL 5013 (cobalt blue)

## 5. Choose the colour requested for the aluminium die-cast parts (D):

1 = RAL 9016 (traffic white)  
 2 = RAL 9002 (grey white)

# How to create part numbers

## 6. Specify the spring depending on the weight of your monitor/ device (X):

Please note that the weight range of the individual springs may vary depending on the bracket (X).

### Pneumatic Springs Explained:

The weight ranges of the pneumatic springs shown in our catalogues relate to the minimum and maximum weights of the products that can be added to the arm, for a perfectly balanced solution. The weight ranges can vary with the same pneumatic springs, as the overall weights placed on the front of the arms have to be considered. The total weight not only reflects the actual monitor weight, but also includes monitor adaptations, brackets and/ or trays. When choosing the pneumatic spring, please consider the weight of your monitor/ device only.

### Without monitor (ETW):

95 = 0 - 4 kg / 0 - 8.8 lbs

### With monitor (MTW):

130 = 4 - 8 kg / 8.8 - 17.6 lbs  
 175 = 9 - 12 kg / 19.8 - 26.5 lbs  
 220 = 12.5 - 15.5 kg / 27.6 - 34.2 lbs

## 7. Specify the requested size of the keyboard tray and mouse (T):

58W = 580 x 200 mm / 22.8 x 7.9" with wrist rest

# Example

01 Grounding	02 Arm version	03 Fixing	04 & 05 Colour	06 Spring tension	07 Keyboard tray
A	- 431MTW	- Y	. CD	_ X	_ 58W
A	- 431MTW	- 4V	. gr1	_ 130	_ 58W

## General notes

---

### Monitor Adaptations

The monitor adaptation VESA 75/ 100 is provided with a spring for counter-balance.

### Components' grounding

All arms with integrated cable management are equipped with **component grounding**. No grounding is required for arms with external or semi-integrated cable management with cables not being led through joints.

### Product marking

All CIM products are CE marked. As **medical product risk class 1** and they conform with the regulations MDD 93/42 ECC and EN 60601-1, 3rd Edition. TUEV reports for numerous products especially for anaesthesia applications guarantee electrical and mechanical safety of our products and are available upon request.

## Product highlights

---

The height adjustable arm offers **full cable integration**, one-wipe clean surfaces and our **5-year warranty** on the entirety of the product. Vertically and horizontally adjustable, the arm offers optimal positioning of your device. A constant viewing angle when vertically adjusted is guaranteed by a parallel linkage. **Weight-optimized springs counter-balance** the monitor without making any adjustments. Individual rotational stops may be integrated in any joint.

To provide the perfect combination of arm and monitor, the CIM articulated height adjustable arm has a simple quarter-turn lock to hold the arm safely in position when removing the monitor. Furthermore the arm is equipped with the unique safety feature of a slow-release gas spring. Should anybody try to remove the monitor before locking the arm in position, the arm will only rise at a slow and even tempo.

**SAFETY**