

Extended Height Adjustable Arm Kit for C500/ C700



Monitor adaption

Colours

Maximum load capacity support arm

Maximum load monitor adaptation

Product weight

Balancing range

quick release base plate

decorative parts

aluminum parts

20.5 kg / 45.2 lbs

18 kg / 39.7 lbs

see page 3

C500

C700

RAL 5013 cobalt blue

RAL 9016 traffic white

1300 N (6 - 11.5 kg / 13.2 - 25.4 lbs)

1750 N (11.5 - 14.5 kg / 25.4 - 32.0 lbs)

Kit number

P-DR-0008-4V.bl1_130

C500

P-DR-0009-4V.bl1_175

C700

Part number

Consisting of the following parts:

A-73130Q-4V.bl1_130

C500: extended height adjustable arm

A-73130Q-4V.bl1_175

C700: extended height adjustable arm

Z-QR-G.1

quick release adapter plate VESA 75/100

Z-QFIT.bl

Q-fit cover profile

Z-QFIT.EXT

Q-fit cover profile for extension

Z-KH6-71.1_300

down post with cable hook, rotatable, L 300 mm / 11.8"

S-910C-1.bl1

flush mount for M500/M540 with VESA 75

DR-PS250-4Z.bl1

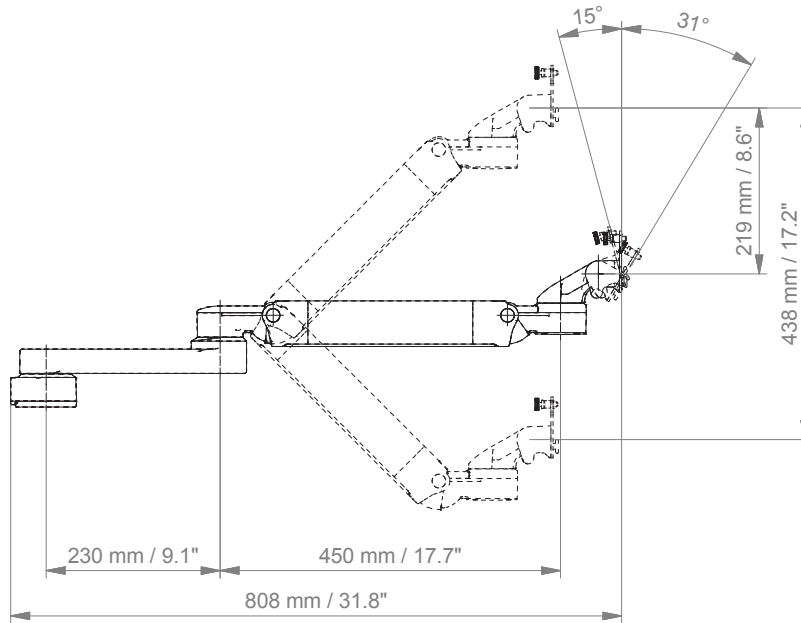
5" plunge plate with adapter plate for Dräger PS250/2500

Please order the wall channel separately.

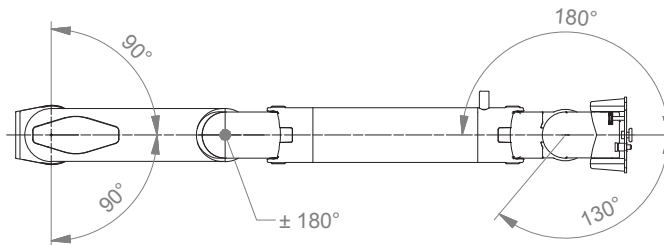
Extended Height Adjustable Arm Kit for C500/ C700

Technical data extended height adjustable arm

SIDE VIEW



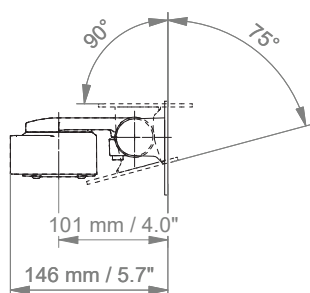
TOP VIEW



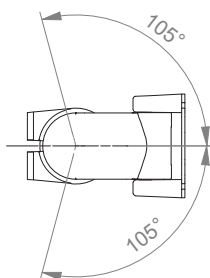
Extended Height Adjustable Arm Kit for C500/ C700

Technical data flush mount

SIDE VIEW



TOP VIEW



Product weight

Part No.	Description	Weight
A-431Q-4V	Height adjustable arm with quick release base plate and adapter for vertical wall channel	3.9 kg / 8.6 lbs
A-73130Q-4V	Extended height adjustable arm with quick release base plate and adapter for vertical wall channel	5.0 kg / 11.0 lbs
S-910C-1	Flush mount for M500/M540 with quick release adapter plate VESA 75 and fixed pole clamp	1.2 kg / 2.6 lbs
Z-KH6-71.1_300	Down post with cable hook, length 300 mm / 11.8"	0.4 kg / 0.9 lbs
Z-QR-G	Quick release adapter plate VESA 75/100	0.2 kg / 0.4 lbs
DR-PS250-4Z	5" plunge plate with adapter plate for Dräger PS250/2500	0.6 kg / 1.3 lbs

General notes

Monitor Adaptations

The monitor adaption VESA 75/100 quick release (Z-QR-G.D) offers tool-free disassembly of the monitor.

Components' grounding

All arms with integrated cable management are equipped with **component grounding**. No grounding is required for arms with external or semi-integrated cable management with cables not being led through joints.

Load capacity

All **height adjustable arms** have a load capacity of 22 kg / 48.5 lbs. Rear mounted monitor adaptations and horizontally mounted 5" plunge plates accept a maximum monitor weight of 18 kg / 39.7 lbs. An additional 4 kg / 8.8 lbs may be mounted on a down post underneath the front swivel part. Depending on material and tensile factor all weight indications have a 4-fold and/ or 6-fold safety factor according to IEC 60601-1 standards.

Custom-designed solutions and MRI applications

Please contact us for **custom-designed** solutions.

Product marking

All CIM products are CE marked. As **medical product risk class 1** they conform with the regulations (EU) 2017/745 (MDR) and IEC 60601-1, 3rd Edition. The current standard IEC 60601-1 for electrical and mechanical safety is the 3rd Edition. Other standards of the IEC 60601 series are not applicable to our products, regardless of their version.

Non-height adjustable arm

Pivot and extended pivot arms offer **full cable integration** and easy cleaning for **infection control** in all critical care areas in the clinical environment. Our **5-years warranty** guarantees reliable, trouble-free and maintenance-free operation. The swivel function at the fixing point as well as the **tilt/ swivel function** of the monitor adaptation offers optimum positioning of your device. The extended pivot arm is a two-part arm with central pivot point between the two arm sections. All bottom-mounted monitors have the safety feature of a **20° tilt stop**.

Height adjustable arm

The height adjustable arm offers **full cable integration**, one-wipe clean surfaces and our **5-year warranty** on the entirety of the product. Vertically and horizontally adjustable, the arm offers optimal positioning of your device. A constant viewing angle when vertically adjusted is guaranteed by a parallel linkage.

Weight-optimized springs counter-balance

the monitor without making any adjustments. All bottom-mounted monitors have the safety feature of a **20° tilt stop**. Individual rotational stops may be integrated in any joint.

To provide the perfect combination of arm and monitor, the CIM articulated height adjustable arm has a simple quarter-turn lock to hold the arm safely in position when removing the monitor. Furthermore the arm is equipped with the unique safety feature of a slow-release gas spring. Should anybody try to remove the monitor before locking the arm in position, the arm will only rise at a slow and even tempo.

SAFETY