

Extended Height Adjustable Arm Kit for C500/ C700



Monitor adaption

Colours

Maximum load capacity support arm

Maximum load monitor adaptation

Product weight

Balancing range

quick release base plate

decorative parts RAL 5013 cobalt blue
aluminum parts RAL 9016 traffic white

22 kg / 48.5 lbs

18 kg / 39.7 lbs

see page 4

C500 1300 N (7.5 - 13 kg / 16.5 - 28.7 lbs)

C700 1750 N (13 - 16 kg / 28.7 - 35.3 lbs)

Kit number

P-DR-0008.bl1 C500

P-DR-0009.bl1 C700

Part number

Consisting of the following parts:

A-73130Q-4V.bl1_130 C500: extended height adjustable arm

A-73130Q-4V.bl1_175 C700: extended height adjustable arm

Z-QR-G.1 quick release adapter plate VESA 75/100

Z-QFIT.bl Q-fit cover profile

Z-QFIT.EXT Q-fit cover profile for extension

Z-KH6-71_300 down post with cable hook, rotatable, L 300 mm / 11.8"

S-910C-1.bl1 flush mount for M500/M540 with VESA 75

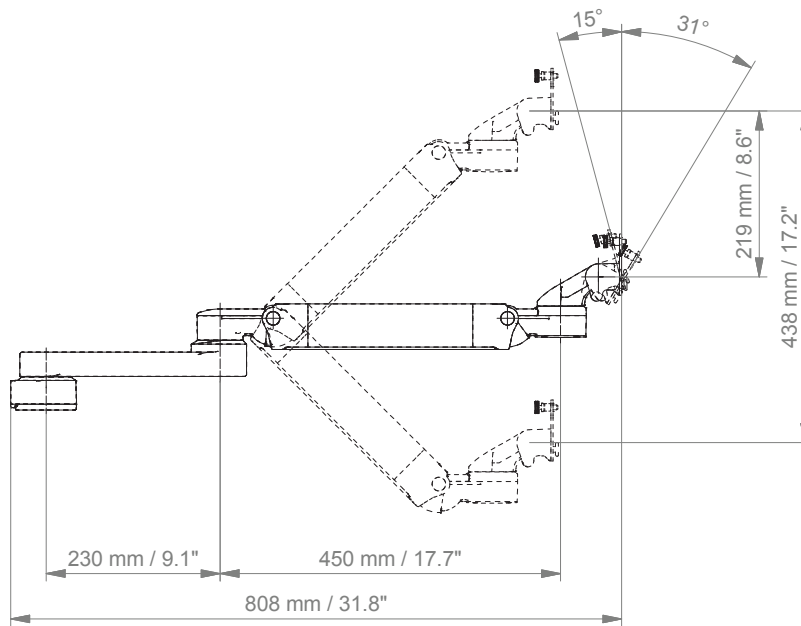
DR-PS250-4Z.bl1 5" plunge plate with adapter plate for Dräger PS250/2500

Please order the wall channel separately.

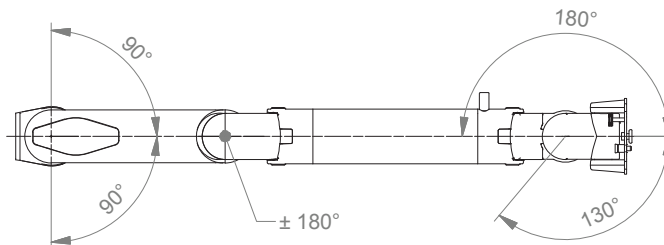
Extended Height Adjustable Arm Kit for C500/ C700

Technical data extended height adjustable arm

SIDE VIEW



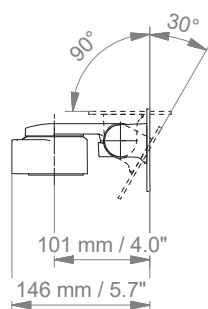
TOP VIEW



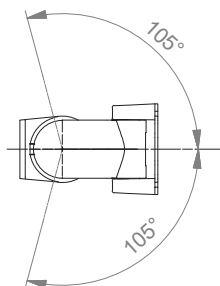
Extended Height Adjustable Arm Kit for C500/ C700

Technical data flush mount

SIDE VIEW



TOP VIEW



Load capacity

Part No.	Description	Weight
A-431Q-4V	Height adjustable arm with quick release base plate and adapter for vertical wall channel	3.5 kg / 7.6 lbs
A-73130Q-4V	Extended height adjustable arm with quick release base plate and adapter for vertical wall channel	4.9 kg / 10.9 lbs
S-910DRQ-1.b11	Flush mount for M500/M540 with quick release adapter plate VESA 75 and fixed pole clamp	1.0 kg / 2.2 lbs
Z-KH6-71_300	Down post with cable hook, Length 300 mm / 11.8"	0.3 kg / 0.8 lbs

General notes

Monitor Adaptations

The monitor adaption VESA 75/100 quick release (**Z-QR-G.D**) offers tool-free disassembly of the monitor.

Components' grounding

All arms with integrated cable management are equipped with **component grounding**. No grounding is required for arms with external or semi-integrated cable management with cables not being led through joints.

Load capacity

All **height adjustable arms** have a load capacity of 22 kg / 48.5 lbs. Rear mounted monitor adaptations and horizontally mounted 5" plunge plates accept a maximum monitor weight of 18 kg / 39.7 lbs. An additional 4 kg / 8.8 lbs may be mounted on a down post underneath the front swivel part. Depending on material and tensile factor all weight indications have a 4-fold and / or 6-fold safety factor according to EN 60601-1, 3rd Edition regulations.

Custom-designed solutions and MRI applications

Please contact us for **custom-designed** solutions.

Product marking

All CIM products are CE marked. As **medical product risk class 1** and they conform with the regulations MDD 93/42 ECC and EN 60601-1, 3rd Edition. TUEV reports for numerous products especially for anaesthesia applications guarantee electrical and mechanical safety of our products and are available upon request.

Non-height adjustable arm

Pivot and extended pivot arms offer **full cable integration** and easy cleaning for **infection control** in all critical care areas in the clinical environment. Our **5-years warranty** guarantees reliable, trouble-free and maintenance-free operation. The swivel function at the fixing point as well as the **tilt/ swivel function** of the monitor adaptation offers optimum positioning of your device. The extended pivot arm is a two-part arm with central pivot point between the two arm sections. All bottom-mounted monitors have the safety feature of a **20° tilt stop**.

Height adjustable arm

The height adjustable arm offers **full cable integration**, one-wipe clean surfaces and our **5-year warranty** on the entirety of the product. Vertically and horizontally adjustable, the arm offers optimal positioning of your device. A constant viewing angle when vertically adjusted is guaranteed by a parallel linkage.

Weight-optimized springs counter-balance

the monitor without making any adjustments. All bottom-mounted monitors have the safety feature of a **20° tilt stop**. Individual rotational stops may be integrated in any joint.

To provide the perfect combination of arm and monitor, the CIM articulated height adjustable arm has a simple quarter-turn lock to hold the arm safely in position when removing the monitor. Furthermore the arm is equipped with the unique safety feature of a slow-release gas spring. Should anybody try to remove the monitor before locking the arm in position, the arm will only rise at a slow and even tempo.

SAFETY