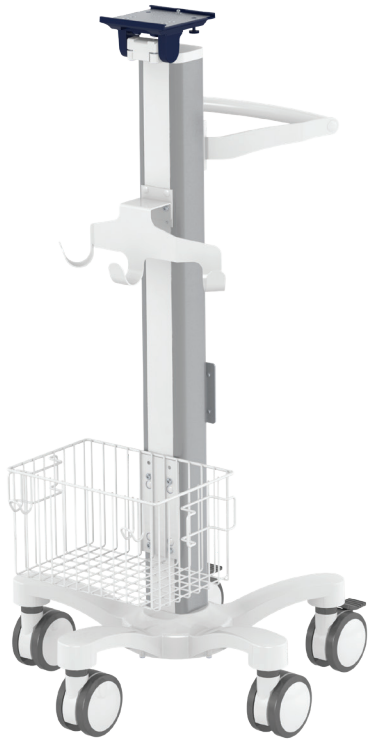


Cart Light Duty Kit



Monitor adaption
CIM cart light duty

5" plunge plate with tilt function
 5-star base aluminum base with counter weight
 (2) lockable and (3) non-lockable double wheel castors, \varnothing 100 mm / 3.9"

Colours

decorative parts RAL 5013 cobalt blue
 base RAL 9016 traffic white
 handle RAL 9016 pure white

Maximum load capacity

14 kg / 30.9 lbs

Kit number

R-002A.bl1_286903

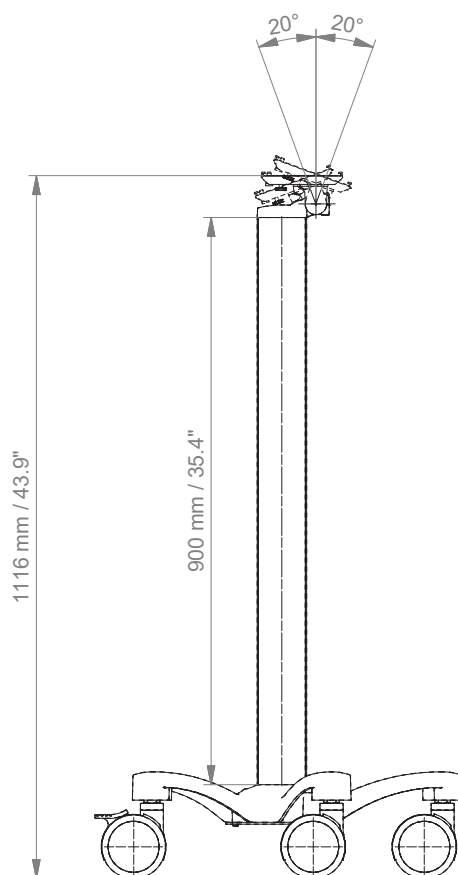
Part number

Consisting of the following parts:
 R-002A.bl1 cart light duty
 Z-HD-4.w1 handle for carts
 Z-51-4Z.1 basket 300 x 200 x 180 mm / 11.8 x 7.9 x 7.1"
 Z-KH3-4Z.1 triple cable hook
 DR-PS-4Z.1 mounting plate for Dräger power supply Delta

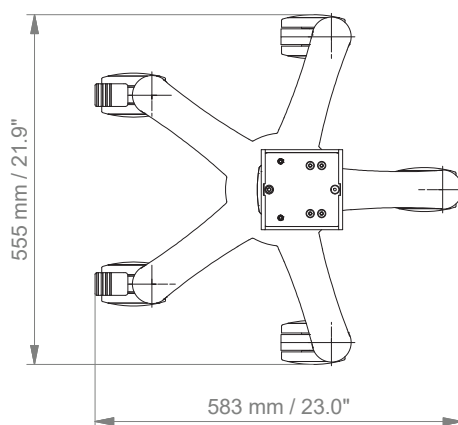
Cart Light Duty Kit

Technical data cart light duty

SIDE VIEW



TOP VIEW



General notes

Monitor Adaptations

The 5" plunge plate is intended to accept bottom-mounted monitors. For monitors from Dräger no special mounting adapters are required.

Components' grounding

All arms with integrated cable management are equipped with **component grounding**. No grounding is required for arms with external or semi-integrated cable management with cables not being led through joints.

Load capacity

All **height adjustable arms** have a load capacity of 22 kg / 48.5 lbs. Rear mounted monitor adaptations and horizontally mounted 5" plunge plates accept a maximum monitor weight of 18 kg / 39.7 lbs. An additional 4 kg / 8.8 lbs may be mounted on a down post underneath the front swivel part. Depending on material and tensile factor all weight indications have a 4-fold and/ or 6-fold safety factor according to IEC 60601-1 standards.

Custom-designed solutions and MRI applications

Please contact us for **custom-designed** solutions.

Product marking

All CIM products are CE marked. As **medical product risk class 1** they conform with the regulations (EU) 2017/745 (MDR) and IEC 60601-1, 3rd Edition. The current standard IEC 60601-1 for electrical and mechanical safety is the 3rd Edition. Other standards of the IEC 60601 series are not applicable to our products, regardless of their version.

Non-height adjustable arm

Pivot and extended pivot arms offer **full cable integration** and easy cleaning for **infection control** in all critical care areas in the clinical environment. Our **5-years warranty** guarantees reliable, trouble-free and maintenance-free operation. The swivel function at the fixing point as well as the **tilt/ swivel function** of the monitor adaptation offers optimum positioning of your device. The extended pivot arm is a two-part arm with central pivot point between the two arm sections. All bottom-mounted monitors have the safety feature of a **20° tilt stop**.

Height adjustable arm

The height adjustable arm offers **full cable integration**, one-wipe clean surfaces and our **5-year warranty** on the entirety of the product. Vertically and horizontally adjustable, the arm offers optimal positioning of your device. A constant viewing angle when vertically adjusted is guaranteed by a parallel linkage.

Weight-optimized springs counter-balance

the monitor without making any adjustments. All bottom-mounted monitors have the safety feature of a **20° tilt stop**. Individual rotational stops may be integrated in any joint.

To provide the perfect combination of arm and monitor, the CIM articulated height adjustable arm has a simple quarter-turn lock to hold the arm safely in position when removing the monitor. Furthermore the arm is equipped with the unique safety feature of a slow-release gas spring. Should anybody try to remove the monitor before locking the arm in position, the arm will only rise at a slow and even tempo.

SAFETY