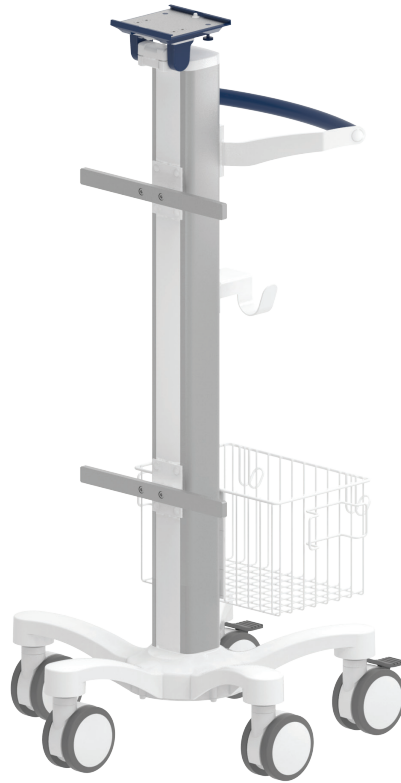


Cart light duty kit 5" plunge plate



**Monitor adaption
CIM cart light duty**

5" plunge plate with tilt function
5-star aluminum base with counter weight
(2) lockable and (3) non-lockable double wheel castors, \varnothing 100 mm / 3.9"
column to accept components and accessories on opposite sides

Colours

decorative parts RAL 5013 cobalt blue
base RAL 9016 traffic white
handle RAL 5013 cobalt blue

**Maximum load monitor adaption
Maximum load basket**

5.9 kg / 13.0 lbs
10 kg / 22 lbs

Kit number

R-002A.bl1_286930

Part number

Consisting of the following parts:
R-002A.bl1 cart light duty
Z-HD-4.bl1 handle for carts
Z-51-4Z basket big 300 x 200 x 180 mm / 11.8 x 7.9 x 7.1"
Z-KH2-4Z.1 dual cable hook
Z-NS-4Z.1_300 (2) European rail 10 x 25 x 300 mm / 0.4 x 1 x 11.8"

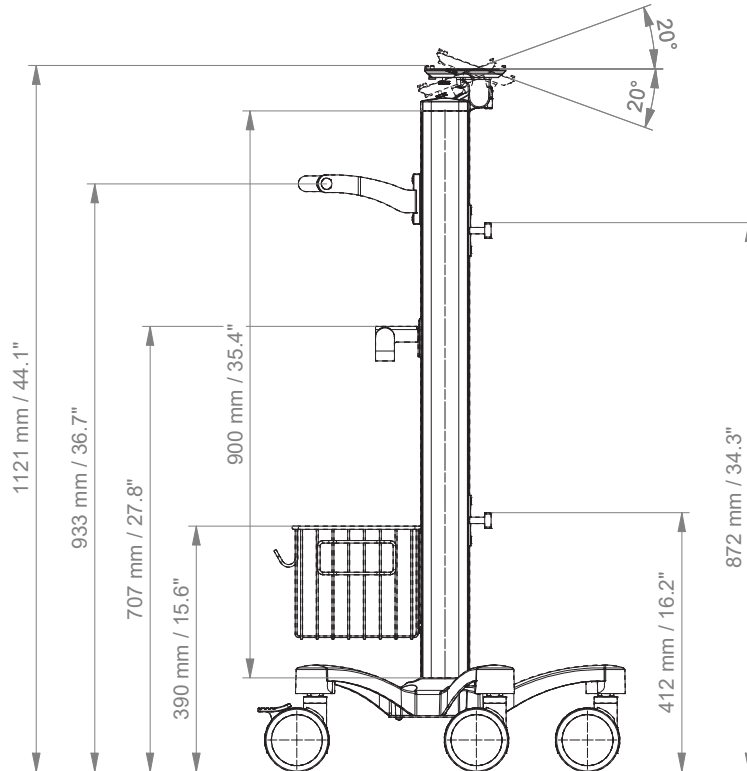
General notes

All CIM products are CE marked. As medical product risk class 1 they are conform with the regulations (EU) 2017/745 (MDR) and IEC 60601-1, 3rd Edition.

Cart light duty kit 5" plunge plate

Technical data

SIDE VIEW



TOP VIEW

