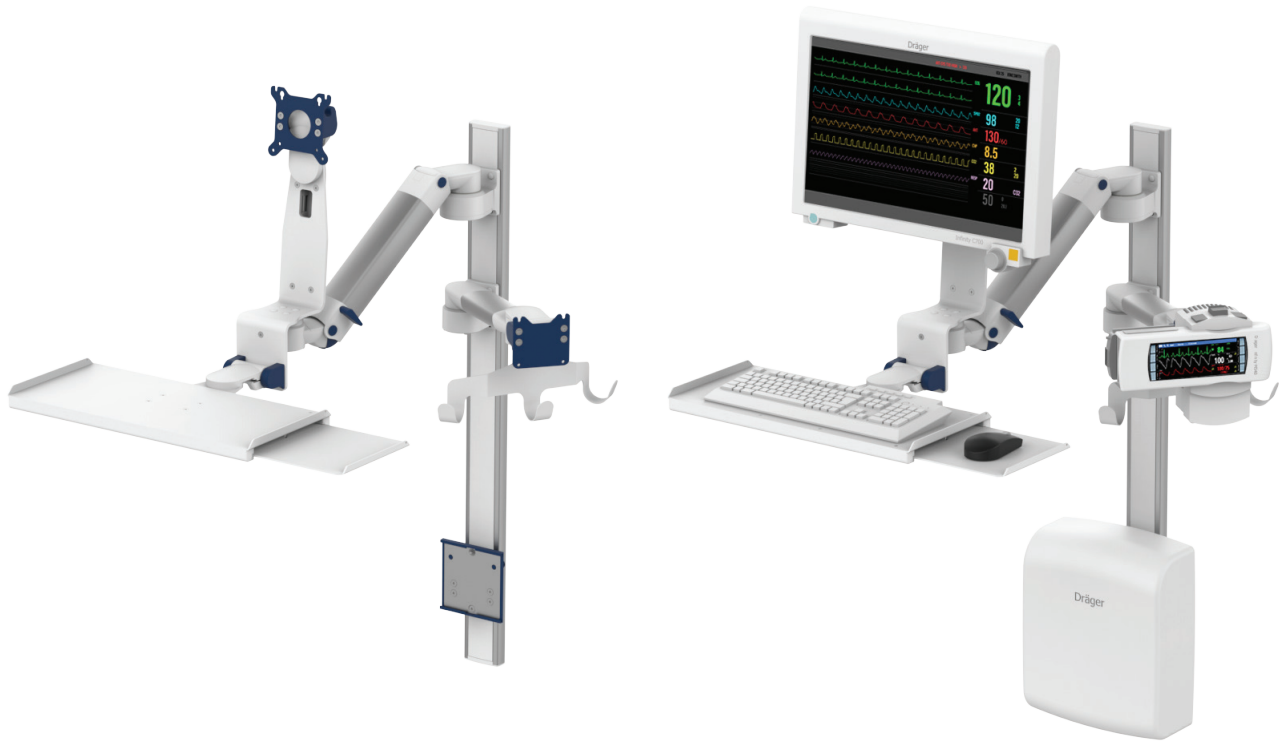


Dräger Infinity Acute Care System - Fold-up with wall mount



Height adjustable wall mount with Z-bracket



Configuration shown consists of:

Part No.

Infinity C700

CIM height adjustable arm with Z-bracket for monitor (VESA 75/100) and magnetic keyboard tray 300 x 210 mm/ 11.8" x 8.3" (W x D)
 magnetic keyboard tray 400 x 150 mm/ 15.7" x 5.9" (W x D)
 magnetic keyboard tray 500 x 200 mm/ 19.7" x 7.9" (W x D)
 magnetic keyboard tray 580 x 200 mm/ 22.8" x 7.9" (W x D)
 magnetic keyboard tray 650 x 200 mm/ 25.6" x 7.9" (W x D)
 keyboard tray 480 x 220 mm/ 18.9" x 8.7" (W x D)
 with retractable mouse tray left/ right side 226 mm/ 8.9"

A-431M-4S.bl1_130_30S
 A-431M-4S.bl1_130_40S
 A-431M-4S.bl1_130_50S
 A-431M-4S.bl1_130_58S
 A-431M-4S.bl1_130_65S
 A-431M-4S.bl1_130_RC

M500/ M540

CIM pivot arm with VESA 75 plunge adapter, arm length 240 mm/ 9.5"
 CIM pivot arm with VESA 75 plunge adapter, arm length 300 mm/ 11.8"

A-224C-4S.bl1
 A-230C-4S.bl1

Power supply

Bracket for PS250/2500

DR-PS250-4Z.bl1

Optional to order

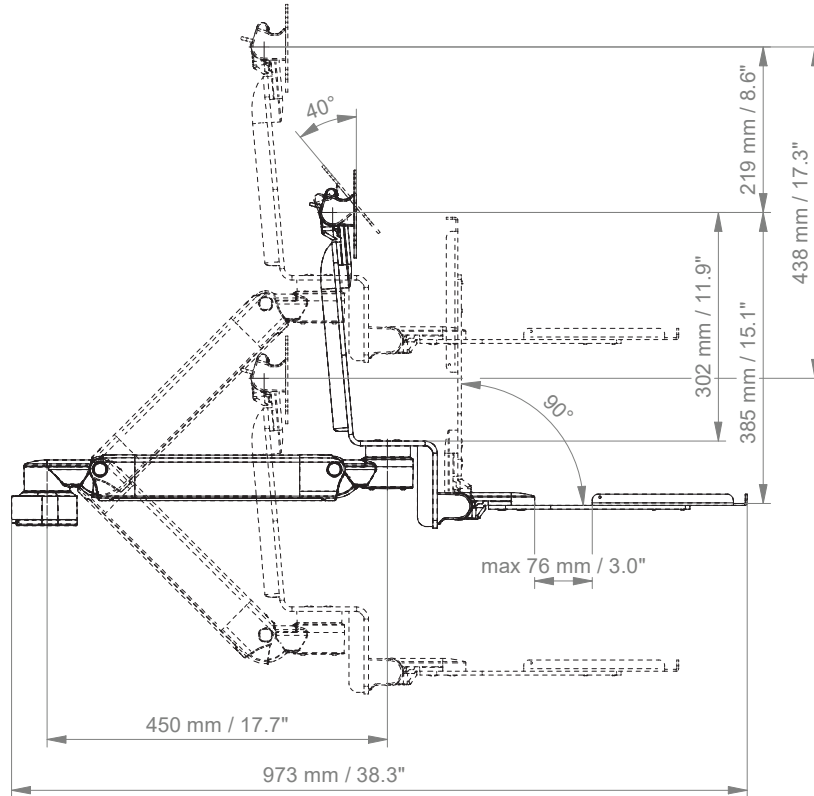
CIM dual cable hook to mount underneath pivot arm
 CIM wall channel (including channel cover and end caps)
 L = 480 mm/ 18.9"
 L = 720 mm/ 28.3"

Z-KH2-70.1
 Z-WK.w_480
 Z-WK.w_720

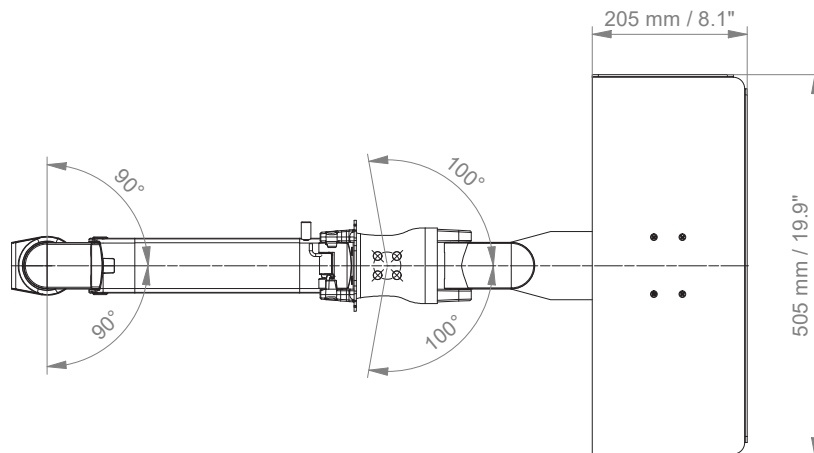
Height adjustable wall mount with Z-bracket

Technical data height adjustable arm with Z-bracket and keyboard tray 22.8" x 7.9"

SIDE VIEW



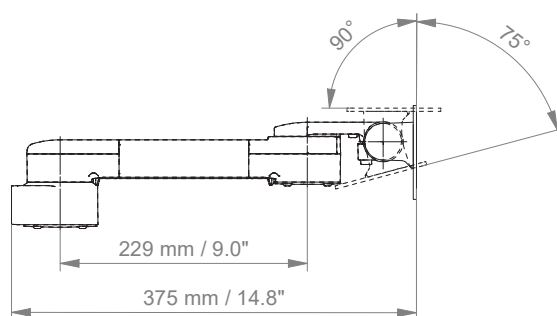
TOP VIEW



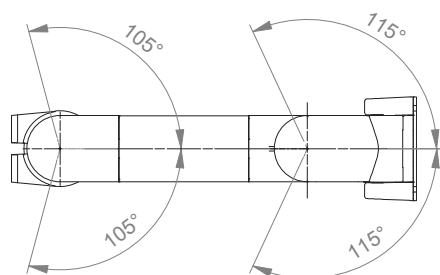
Height adjustable wall mount with Z-bracket

Technical data pivot arm with VESA 75 mounting adapter

SIDE VIEW



TOP VIEW



Product weight

Part No.	Description	Weight
A-431F-4S_130_30	Height adjustable arm with W-bracket and keyboard tray 300 x 210 mm	30: 6.0 kg / 13.2 lbs
A-431F-4S_130_40	Height adjustable arm with W-bracket and keyboard tray 400 x 150 mm	40: 5.9 kg / 13.0 lbs
A-431F-4S_130_50	Height adjustable arm with W-bracket and keyboard tray 500 x 200 mm	50: 6.2 kg / 13.7 lbs
A-431F-4S_130_58	Height adjustable arm with W-bracket and keyboard tray 580 x 200 mm	58: 6.4 kg / 14.1 lbs
A-431F-4S_130_65	Height adjustable arm with W-bracket and keyboard tray 650 x 200 mm	65: 6.5 kg / 14.3 lbs
A-431F-4S_130_RC	Height adjustable arm with W-bracket and keyboard tray 480 x 220 mm	RC: 7.5 kg / 16.5 lbs
A-431M-4S_130_30S	Height adjustable arm with Z-bracket and mag. keyboard tray 300 x 210 mm	30S: 7.3 kg / 16.1 lbs
A-431M-4S_130_40S	Height adjustable arm with Z-bracket and mag. keyboard tray 400 x 150 mm	40S: 7.4 kg / 16.3 lbs
A-431M-4S_130_50S	Height adjustable arm with Z-bracket and mag. keyboard tray 500 x 200 mm	50S: 7.8 kg / 17.2 lbs
A-431M-4S_130_58S	Height adjustable arm with Z-bracket and mag. keyboard tray 580 x 200 mm	58S: 8.0 kg / 17.6 lbs
A-431M-4S_130_65S	Height adjustable arm with Z-bracket and mag. keyboard tray 650 x 200 mm	65S: 8.2 kg / 18.1 lbs
A-431M-4S_130_RC	Height adjustable arm with Z-bracket and mag. keyboard tray 480 x 220 mm	RC: 8.4 kg / 18.5 lbs
A-431Q-4S	Height adjustable arm with quick release base plate and adapter for vertical wall channel	4.2 kg / 9.3 lbs
A-73130Q-4S	Extended height adjustable arm with quick release base plate and adapter for vertical wall channel	5.2 kg / 11.5 lbs
S-910C-1	Flush mount for M500/M540 with quick release adapter plate VESA 75 and fixed pole clamp	1.2 kg / 2.6 lbs
A-224C-4S	Support arm pivot with VESA 75/75 and adapter for vertical wall channel	2.4 kg / 5.3 lbs
A-230C-4S	Support arm pivot with VESA 75/75 and adapter for vertical wall channel	2.5 kg / 5.5 lbs
Z-KH6-71.1_300	Down post with cable hook, length 300 mm / 11.8"	0.4 kg / 0.9 lbs
Z-QR-G	Quick release adapter plate VESA 75/100	0.2 kg / 0.4 lbs
DR-PS250-4Z	5" plunge plate with adapter plate for Dräger PS250/2500	0.6 kg / 1.3 lbs
Z-KH2-70	Dual cable hook	0.3 kg / 0.7 lbs

General notes

Monitor Adaptations

The monitor adaption VESA 75/100 quick release (Z-QR-G.D) offers tool-free disassembly of the monitor.

Components' grounding

All arms with integrated cable management are equipped with **component grounding**. No grounding is required for arms with external or semi-integrated cable management with cables not being led through joints.

Load capacity

All **height adjustable arms** have a load capacity of 22 kg / 48.5 lbs. Rear mounted monitor adaptations and horizontally mounted 5" plunge plates accept a maximum monitor weight of 18 kg / 39.7 lbs. An additional 4 kg / 8.8 lbs may be mounted on a down post underneath the front swivel part. Depending on material and tensile factor all weight indications have a 4-fold and/ or 6-fold safety factor according to IEC 60601-1 standards.

Custom-designed solutions and MRI applications

Please contact us for **custom-designed** solutions.

Product marking

All CIM products are CE marked. As **medical product risk class 1** they are conform with the regulations (EU) 2017/745 (MDR) and IEC 60601-1. Other standards of the IEC 60601 series are not applicable to our products, regardless of their version.

Warranty

All CIM arms have a 5-year warranty to be free of defects in material and functionality from the date of delivery.

Non-height adjustable arm

Pivot and extended pivot arms offer **full cable integration** and easy cleaning for **infection control** in all critical care areas in the clinical environment. Our **5-years warranty** guarantees reliable, trouble-free and maintenance-free operation. The swivel function at the fixing point as well as the **tilt/ swivel function** of the monitor adaptation offers optimum positioning of your device. The extended pivot arm is a two-part arm with central pivot point between the two arm sections. All bottom-mounted monitors have the safety feature of a **20° tilt stop**.

Height adjustable arm

The height adjustable arm offers **full cable integration**, one-wipe clean surfaces and our **5-year warranty** on the entirety of the product. Vertically and horizontally adjustable, the arm offers optimal positioning of your device. A constant viewing angle when vertically adjusted is guaranteed by a parallel linkage.

Weight-optimized springs counter-balance

the monitor without making any adjustments. All bottom-mounted monitors have the safety feature of a **20° tilt stop**. Individual rotational stops may be integrated in any joint.

To provide the perfect combination of arm and monitor, the CIM articulated height adjustable arm has a simple quarter-turn lock to hold the arm safely in position when removing the monitor. Furthermore the arm is equipped with the unique safety feature of a slow-release gas spring. Should anybody try to remove the monitor before locking the arm in position, the arm will only rise at a slow and even tempo.

SAFETY