

Height adjustable arm kit



Monitor adaption

Colours

Maximum load capacity support arm

Maximum load monitor adaptation

Product weight

Balancing range

VESA 75/75

decorative parts

aluminum parts

21.5 kg / 47.4 lbs

18 kg / 39.7 lbs

see page 3

600 N (1.5 - 4.5 kg / 3.3 - 9.9 lbs)

RAL 5013 cobalt blue

RAL 9016 traffic white

Kit number

P-DR-0003-4S.bl1_60

Consisting of the following parts:

A-431C-4S.bl1_60

height adjustable arm

Z-KH6-71.1_150

down post with cable hook

Z-PS2-4Z.1

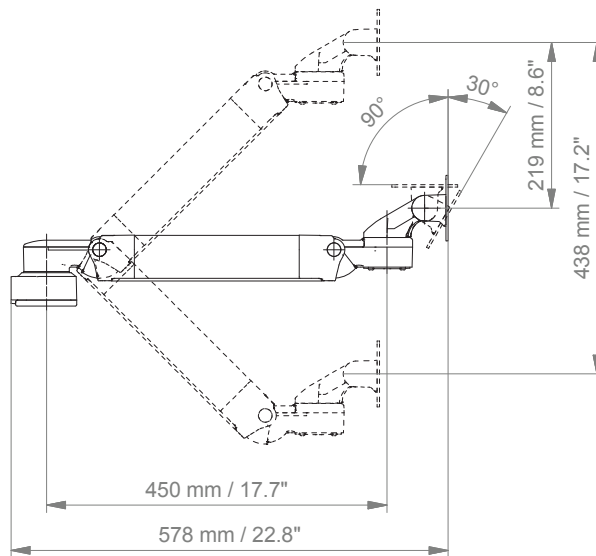
power supply enclosure double

Please order the wall channel separately.

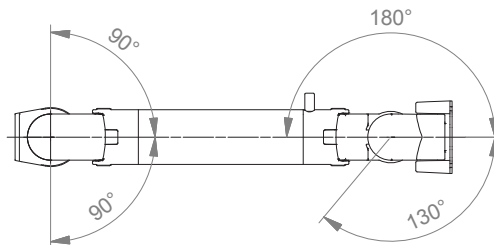
Height adjustable arm kit

Technical data height adjustable arm

SIDE VIEW



TOP VIEW



Product weight

Part No.	Description	Weight
A-224C-4S	Support arm pivot with VESA 75/75 and adapter for vertical wall channel	2.4 kg / 5.3 lbs
A-32424C-4S	Extended pivot arm light duty with VESA 75/75 and adapter vertical wall channel	3.2 kg / 7.1 lbs
A-431C-4S	Height adjustable arm with VESA 75/75 and adapter vertical wall channel	4.3 kg / 9.5 lbs
Z-KH6-70.1_150 Z-KH6-71.1_150	Down post with cable hock, lenght 150 mm / 5.9"	0.3 kg / 0.7 lbs
Z-PS2-4Z	Power supply enclosure double	1.1 kg / 2.4 lbs

General notes

Monitor Adaptation

VESA 75/75

Components' grounding

All arms with integrated cable management are equipped with **component grounding**. No grounding is required for arms with external or semi-integrated cable management with cables not being led through joints.

Load capacity

All **height adjustable arms** have a load capacity of 22 kg / 48.5 lbs. Rear mounted monitor adaptations and horizontally mounted 5" plunge plates accept a maximum monitor weight of 18 kg / 39.7 lbs. An additional 4 kg / 8.8 lbs may be mounted on a down post underneath the front swivel part. Depending on material and tensile factor all weight indications have a 4-fold and/ or 6-fold safety factor according to IEC 60601-1 standards.

Custom-designed solutions and MRI applications

Please contact us for **custom-designed** solutions.

Product marking

All CIM products are CE marked. As **medical product risk class 1** they conform with the regulations (EU) 2017/745 (MDR) and IEC 60601-1. Other standards of the IEC 60601 series are not applicable to our products, regardless of their version.

Warranty

All CIM arms have a 5-year warranty to be free of defects in material and functionality from the date of delivery.

Non-height adjustable arm

Pivot and extended pivot arms offer **full cable integration** and easy cleaning for **infection control** in all critical care areas in the clinical environment. Our **5-years warranty** guarantees reliable, trouble-free and maintenance-free operation. The swivel function at the fixing point as well as the **tilt/ swivel function** of the monitor adaptation offers optimum positioning of your device. The extended pivot arm is a two-part arm with central pivot point between the two arm sections. All bottom-mounted monitors have the safety feature of a **20° tilt stop**.

Height adjustable arm

The height adjustable arm offers **full cable integration**, one-wipe clean surfaces and our **5-year warranty** on the entirety of the product. Vertically and horizontally adjustable, the arm offers optimal positioning of your device. A constant viewing angle when vertically adjusted is guaranteed by a parallel linkage.

Weight-optimized springs counter-balance

the monitor without making any adjustments. All bottom-mounted monitors have the safety feature of a **20° tilt stop**. Individual rotational stops may be integrated in any joint.

To provide the perfect combination of arm and monitor, the CIM articulated height adjustable arm has a simple quarter-turn lock to hold the arm safely in position when removing the monitor. Furthermore the arm is equipped with the unique safety feature of a slow-release gas spring. Should anybody try to remove the monitor before locking the arm in position, the arm will only rise at a slow and even tempo.

SAFETY