

Extended pivot arm kit



Monitor adaption

Colours

Maximum load capacity support arm

Maximum load monitor adaptation

Product weight

VESA 75/75

decorative parts

aluminum parts

7.5 kg / 16.5 lbs

7.5 kg / 16.5 lbs

see page 3

RAL 5013 cobalt blue

RAL 9016 traffic white

Kit number

P-DR-0005-4S.b11

Consisting of the following parts:

A-32424C-4S.b11

extended pivot arm light duty

Z-KH6-70.1_150

down post with cable hook

Z-PS2-4Z.1

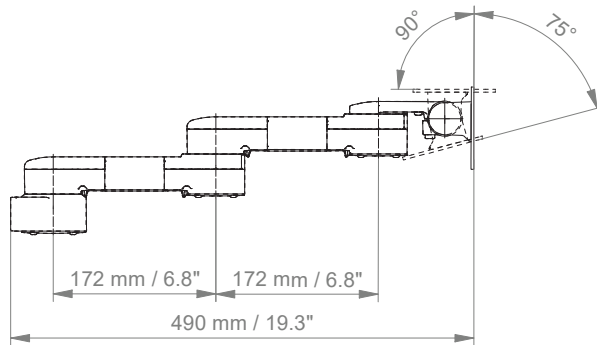
power supply enclosure double

Please order the wall channel separately.

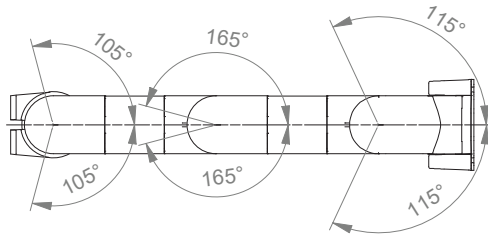
Extended pivot arm kit

Technical data extended pivot arm light duty

SIDE VIEW



TOP VIEW



Product weight

Part No.	Description	Weight
A-224C-4S	Support arm pivot with VESA 75/75 and adapter for vertical wall channel	2.4 kg / 5.3 lbs
A-32424C-4S	Extended pivot arm light duty with VESA 75/75 and adapter vertical wall channel	3.2 kg / 7.1 lbs
A-431C-4S	Height adjustable arm with VESA 75/75 and adapter vertical wall channel	4.3 kg / 9.5 lbs
Z-KH6-70.1_150 Z-KH6-71.1_150	Down post with cable hock, lenght 150 mm / 5.9"	0.3 kg / 0.7 lbs
Z-PS2-4Z	Power supply enclosure double	1.1 kg / 2.4 lbs

General notes

Monitor Adaptation

VESA 75/75

Components' grounding

All arms with integrated cable management are equipped with **component grounding**. No grounding is required for arms with external or semi-integrated cable management with cables not being led through joints.

Load capacity

All **height adjustable arms** have a load capacity of 22 kg / 48.5 lbs. Rear mounted monitor adaptations and horizontally mounted 5" plunge plates accept a maximum monitor weight of 18 kg / 39.7 lbs. An additional 4 kg / 8.8 lbs may be mounted on a down post underneath the front swivel part. Depending on material and tensile factor all weight indications have a 4-fold and/ or 6-fold safety factor according to IEC 60601-1 standards.

Custom-designed solutions and MRI applications

Please contact us for **custom-designed** solutions.

Product marking

All CIM products are CE marked. As **medical product risk class 1** they conform with the regulations (EU) 2017/745 (MDR) and IEC 60601-1. Other standards of the IEC 60601 series are not applicable to our products, regardless of their version.

Warranty

All CIM arms have a 5-year warranty to be free of defects in material and functionality from the date of delivery.

Non-height adjustable arm

Pivot and extended pivot arms offer **full cable integration** and easy cleaning for **infection control** in all critical care areas in the clinical environment. Our **5-years warranty** guarantees reliable, trouble-free and maintenance-free operation. The swivel function at the fixing point as well as the **tilt/ swivel function** of the monitor adaptation offers optimum positioning of your device. The extended pivot arm is a two-part arm with central pivot point between the two arm sections. All bottom-mounted monitors have the safety feature of a **20° tilt stop**.

Height adjustable arm

The height adjustable arm offers **full cable integration**, one-wipe clean surfaces and our **5-year warranty** on the entirety of the product. Vertically and horizontally adjustable, the arm offers optimal positioning of your device. A constant viewing angle when vertically adjusted is guaranteed by a parallel linkage.

Weight-optimized springs counter-balance

the monitor without making any adjustments. All bottom-mounted monitors have the safety feature of a **20° tilt stop**. Individual rotational stops may be integrated in any joint.

To provide the perfect combination of arm and monitor, the CIM articulated height adjustable arm has a simple quarter-turn lock to hold the arm safely in position when removing the monitor. Furthermore the arm is equipped with the unique safety feature of a slow-release gas spring. Should anybody try to remove the monitor before locking the arm in position, the arm will only rise at a slow and even tempo.

SAFETY