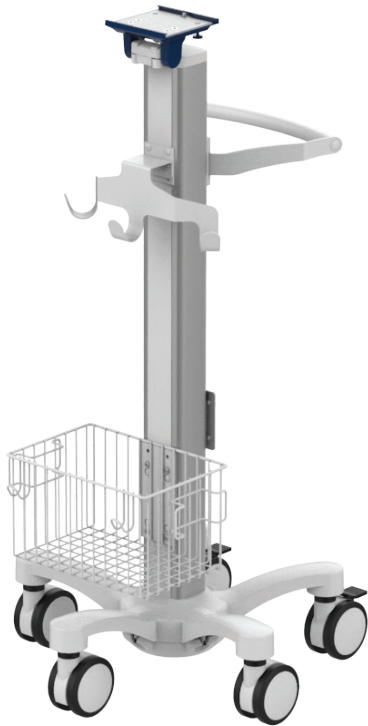


# Cart light duty kit



**Monitor adaption**  
**CIM cart light duty**

**Colours**

**Maximum load capacity**

5" plunge plate with tilt function  
 5-star base aluminum base with counter weight  
 (2) lockable and (3) non-lockable double wheel castors,  $\varnothing$  100 mm / 3.9"  
 column to accept components and accessories on opposite sides  
 decorative parts      RAL 5013 cobalt blue  
 base                      RAL 9016 traffic white  
 handle                    RAL 9016 traffic white  
 14 kg / 30.9 lbs

**Kit number**

**R-002A.bl1\_286903**

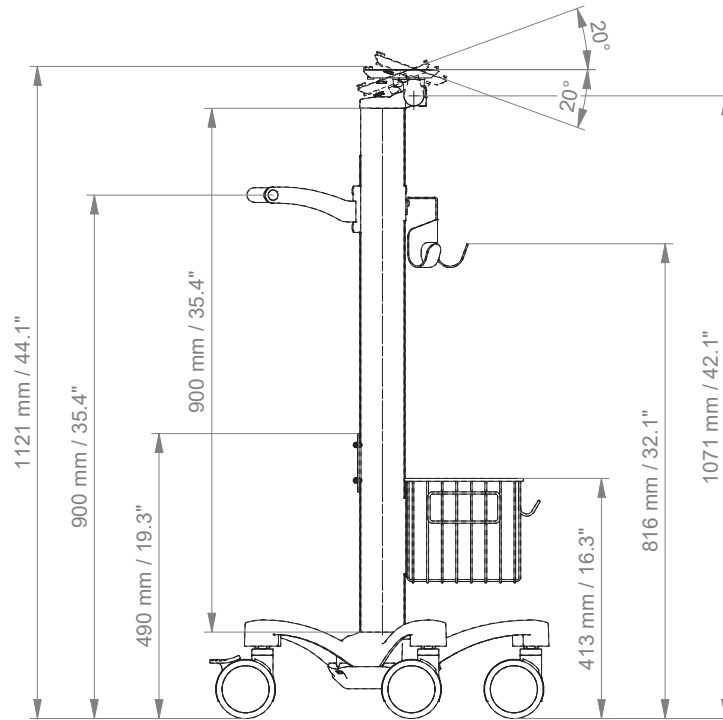
Consisting of the following parts:

R-002A.bl1	cart light duty
Z-HD-4.w1	handle for carts
Z-51-4Z.1	basket 300 x 200 x 180 mm / 11.8 x 7.9 x 7.1"
Z-KH3-4Z.1	triple cable hook
DR-PS-4Z.1	mounting plate for Dräger power supply Delta

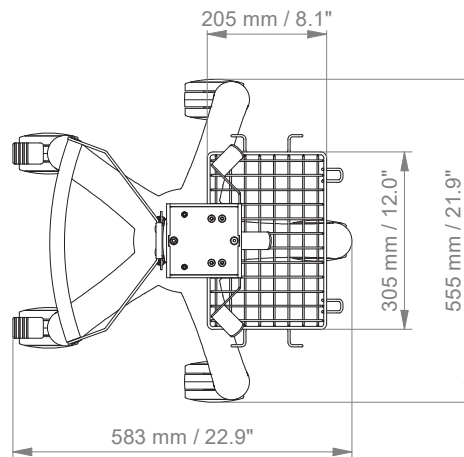
# Cart light duty kit

## Technical data

### SIDE VIEW



### TOP VIEW



## General notes

### Monitor Adaptations

The 5" plunge plate is intended to accept bottom-mounted monitors. For monitors from Dräger no special mounting adapters are required.

### Components' grounding

All arms with integrated cable management are equipped with **component grounding**. No grounding is required for arms with external or semi-integrated cable management with cables not being led through joints.

### Load capacity

All **height adjustable arms** have a load capacity of 22 kg / 48.5 lbs. Rear mounted monitor adaptations and horizontally mounted 5" plunge plates accept a maximum monitor weight of 18 kg / 39.7 lbs. An additional 4 kg / 8.8 lbs may be mounted on a down post underneath the front swivel part. Depending on material and tensile factor all weight indications have a 4-fold and/ or 6-fold safety factor according to IEC 60601-1 standards.

### Custom-designed solutions and MRI applications

Please contact us for **custom-designed** solutions.

### Product marking

All CIM products are CE marked. As **medical product risk class 1** they are conform with the regulations (EU) 2017/745 (MDR) and IEC 60601-1. Other standards of the IEC 60601 series are not applicable to our products, regardless of their version.

### Warranty

All CIM arms have a 5-year warranty to be free of defects in material and functionality from the date of delivery.

### Non-height adjustable arm

Pivot and extended pivot arms offer **full cable integration** and easy cleaning for **infection control** in all critical care areas in the clinical environment. Our **5-years warranty** guarantees reliable, trouble-free and maintenance-free operation. The swivel function at the fixing point as well as the **tilt/ swivel function** of the monitor adaptation offers optimum positioning of your device. The extended pivot arm is a two-part arm with central pivot point between the two arm sections. All bottom-mounted monitors have the safety feature of a **20° tilt stop**.

### Height adjustable arm

The height adjustable arm offers **full cable integration**, one-wipe clean surfaces and our **5-year warranty** on the entirety of the product. Vertically and horizontally adjustable, the arm offers optimal positioning of your device. A constant viewing angle when vertically adjusted is guaranteed by a parallel linkage.

### Weight-optimized springs counter-balance

the monitor without making any adjustments. All bottom-mounted monitors have the safety feature of a **20° tilt stop**. Individual rotational stops may be integrated in any joint.

To provide the perfect combination of arm and monitor, the CIM articulated height adjustable arm has a simple quarter-turn lock to hold the arm safely in position when removing the monitor. Furthermore the arm is equipped with the unique safety feature of a slow-release gas spring. Should anybody try to remove the monitor before locking the arm in position, the arm will only rise at a slow and even tempo.

SAFETY