

IT Lift system



Monitor adaptation
Keyboard

quick release base plate
58S: 580 x 200 mm / 22.8 x 7.9", magnetic
65S: 650 x 200 mm / 25.6 x 7.9", magnetic

Height adjustment range
Distance to wall

300 mm / 11.8"
110 mm / 4.3" keyboard folded up
490 mm / 19.3" keyboard retracted

Max. load monitor adaptation
Balancing range X

18 kg / 39.7 lbs
100: 100 N (4 - 10 kg / 8.8 - 22 lbs)
180: 180 N (10.5 - 18 kg / 23.2 - 39.7 lbs)

Part number

A-696Q.bl1_X_58S wall channel L 960 mm / 37.8"
A-696Q.bl1_X_65S wall channel L 960 mm / 37.8"

A-6120Q.bl1_X_58S wall channel L 1200 mm / 47.2"
A-6120Q.bl1_X_65S wall channel L 1200 mm / 47.2"

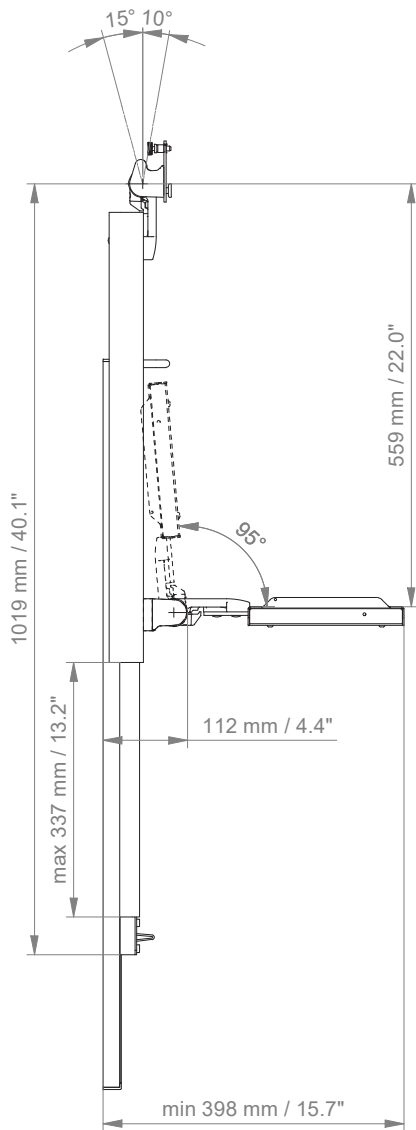
Z-QR-C.D quick release adapter plate VESA 75/75
Z-QR-G.D quick release adapter plate VESA 75/100

CPU dual clamp set only available for A-6120Q.

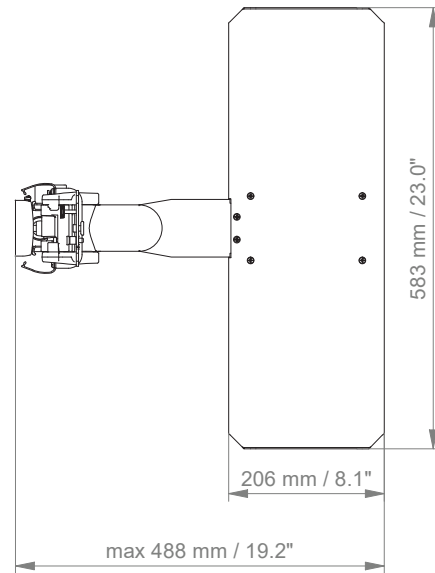
IT Lift system

Technical data

SIDE VIEW



TOP VIEW



Quick release adapter plate VESA

VESA 75 Quick release adapter plate (Z-QR-C.D)

The adapter plate shown is mounted to the rear side of the monitor's hole pattern 75 x 75 mm (2.9 x 2.9"). The quick release adapter plate has to be ordered separately.

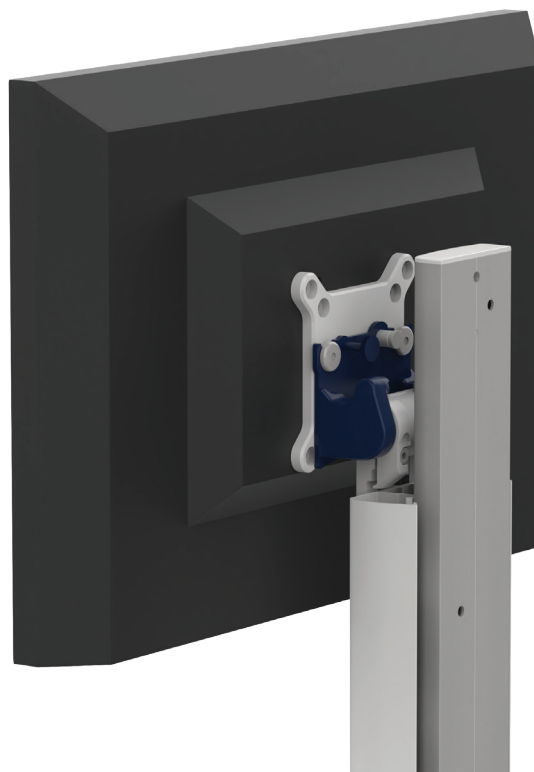
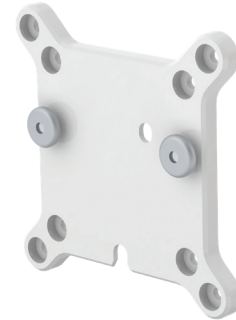
Product weight: 0.2 kg / 0.4 lbs



VESA 75/ 100 Quick release adapter plate (Z-QR-G.D)


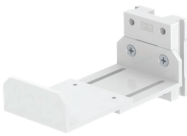
The adapter plate shown is mounted to the rear side of the monitor using either the 75 x 75 mm (2.9 x 2.9") or 100 x 100 mm (3.9 x 3.9") hole pattern. The quick release adapter plate has to be ordered separately.

Product weight: 0.2 kg / 0.4 lbs



CPU clamp



Illustration	Description	Notes	Weight	Part no.
	<p>CPU dual clamp set</p> <p>Existing of: 2 clamps (top and bottom) 2 fixings for vertical wall channel</p> <p>Colour to choose (D): RAL 9016 traffic white (1) or RAL 9002 grey white (2)</p>	<p>CPU width</p> <p>27 - 45 mm / 1.1 - 1.8" 45 - 70 mm / 1.8 - 2.8" 60 - 100 mm / 2.4 - 3.9" 85 - 150 mm / 3.3 - 5.9"</p> <p>With extension plate</p> <p>130 - 170 mm / 5.1 - 6.7" 170 - 215 mm / 6.7 - 8.5</p>	<p>0.3 kg / 0.7 lbs 0.4 kg / 0.9 lbs 0.4 kg / 0.9 lbs 0.5 kg / 1.1 lbs</p> <p>0.6 kg / 1.3 lbs 0.7 kg / 1.5 lbs</p>	<p>Z-CPU-4.D_27 Z-CPU-4.D_45 Z-CPU-4.D_60 Z-CPU-4.D_85</p> <p>Z-CPU-4.D_130 Z-CPU-4.D_170</p>
				

How to create part numbers

Part numbers can be easily created by following the steps below:

Please replace the letters in **green** with the part no. code as per your requirements.

WALL MOUNT SOLUTIONS

1. Components' grounding:

A = grounded

2. Choose the IT lift system required:

696Q = IT lift system with wall channel 960 mm / 37.8" and keyboard tray
 6120Q = IT lift system with wall channel 1200 mm / 47.2" and keyboard tray
 D6120G = Dual IT lift system with wall channel 1200 mm / 47.2" and keyboard tray

3. Specify the spring depending on the weight of your monitor/ device (X):

100 = 4 - 10 kg / 8.8 - 22 lbs
 180 = 10.5 - 18 kg / 23.2 - 39.7 lbs

SUPPORT ARM SOLUTIONS

1. Components' grounding:

A = grounded

2. Choose the arm version required:

431MTW = height adjustable arm with fold-up Z bracket
 73130MTW = extended height adjustable arm with fold-up Z bracket

3. Specify where you want to mount the arm and select the fixing (Y):

1V = pole ø 23 - 40 mm / 0.9 - 1.6"
 1 = pole ø 25 mm / 1.0"
 1B = pole ø 30 mm / 1.2"
 1F = pole ø 35 mm / 1.4"
 1C = pole ø 38 mm / 1.5"
 2F = horizontal rails 10 x 25, 8 x 35, 10 x 30, 10 x 50 mm
 3 = vertical rail 10 x 25 mm

How to create part numbers

- 4S = vertical wall channel
- 9 = Löwenstein Medical / ITD / mounting channel
- 13 = Mindray medical supply units
- 17 = Amico pendants & headwalls
- 19 = Dräger Ambia pendants & headwalls

4. Choose the colour requested for decorative parts (C):

- gr = RAL 7024 (graphite grey)
- bl = RAL 5013 (cobalt blue)

5. Choose the colour requested for the aluminium die-cast parts (D):

- 1 = RAL 9016 (traffic white)
- 2 = RAL 9002 (grey white)

6. Specify the spring depending on the weight of your monitor/ device (X):

Please note that the weight range of the individual springs may vary depending on the bracket (X).

Pneumatic Springs Explained:

The weight ranges of the pneumatic springs shown in our catalogues relate to the minimum and maximum weights of the products that can be added to the arm, for a perfectly balanced solution. The weight ranges can vary with the same pneumatic springs, as the overall weights placed on the front of the arms have to be considered. The total weight not only reflects the actual monitor weight, but also includes monitor adaptations, brackets and/ or trays. When choosing the pneumatic spring, please consider the weight of your monitor/ device only.

- 130 = 4 - 8 kg / 8.8 - 17.6 lbs
- 175 = 9 - 12 kg / 19.8 - 26.5 lbs
- 220 = 12.5 - 15.5 kg / 27.6 - 34.2 lbs

7. Specify the requested size of the keyboard tray and mouse (T):

- 58W = 580 x 200 mm / 22.8 x 7.9" with wrist rest

Example

01 Grounding	02 Arm version	03 Fixing	04 & 05 Colour	06 Spring tension	07 Keyboard tray
A	- 431MTW	- Y	. CD	- X	- 58W
A	- 431MTW	- 4S	. gr1	- 130	- 58W

General notes

Monitor Adaptations

The monitor adaptation VESA 75/ 100 is provided with a spring for counter-balance.

Components' grounding

All arms with integrated cable management are equipped with **component grounding**. No grounding is required for arms with external or semi-integrated cable management with cables not being led through joints.

Load capacity

All **height adjustable arms** have a load capacity of 22 kg / 48.5 lbs. Rear mounted monitor adaptations and horizontally mounted 5" plunge plates accept a maximum monitor weight of 18 kg / 39.7 lbs. An additional 4 kg / 8.8 lbs may be mounted on a down post underneath the front swivel part. Depending on material and tensile factor all weight indications have a 4-fold and/ or 6-fold safety factor according to IEC 60601-1 standards.

Custom-designed solutions and MRI applications

Please contact us for **custom-designed** solutions.

Product marking

All products which are classified as medical product risk class 1 are CE marked. As **medical product risk class 1** they are conform with the regulations (EU) 2017/745 (MDR) and IEC 60601-1. Other standards of the IEC 60601 series are not applicable to our products, regardless of their version.

MD A stand-alone product that is already classified as a medical product class 1 before being integrated into an overall medical device. The product is CE-marked. A declaration of conformity is available.

~~MD~~ Accessories or spare parts that have no independent function and are therefore not subject to the MDR. These products are not CE-marked. A declaration of conformity is not required.

Warranty

All CIM products have a 5-year warranty to be free of defects in material and functionality from the date of delivery.

Product highlights

The height adjustable arm offers **full cable integration**, one-wipe clean surfaces and our **5-year warranty** on the entirety of the product. Vertically and horizontally adjustable, the arm offers optimal positioning of your device. A constant viewing angle when vertically adjusted is guaranteed by a parallel linkage. **Weight-optimized springs counter-balance** the monitor without making any adjustments. Individual rotational stops may be integrated in any joint.

To provide the perfect combination of arm and monitor, the CIM articulated height adjustable arm has a simple quarter-turn lock to hold the arm safely in position when removing the monitor. Furthermore the arm is equipped with the unique safety feature of a slow-release gas spring. Should anybody try to remove the monitor before locking the arm in position, the arm will only rise at a slow and even tempo.

SAFETY