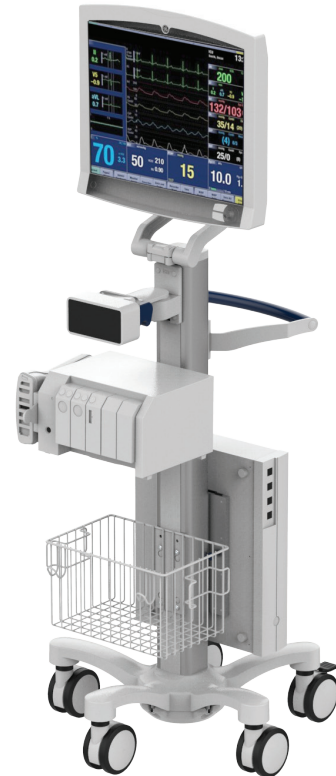


# B850 Cart light duty II

MD



**Monitor adaption**

CL-bracket, VESA 75/100 with tilt function

**Accessories**

5-star base aluminum base with counter weight  
 Double wheel castors, ø 100 mm / 3.9", 2 lockable  
 Column to accept components and accessories on opposite sides

**Colours**

Decorative parts RAL 5013 cobalt blue  
 Base RAL 9016 traffic white  
 Handle RAL 5013 cobalt blue

**Maximum load monitor adaption**

7.5 kg / 16.5 lbs

**Maximum load CARESCAPE ONE**

2.4 kg / 5.3 lbs

**Maximum load Frame F2/F5**

7.2 kg / 15.9 lbs

**Maximum load basket**

10 kg / 22 lbs

**Kit number**

**GE-002B850-02.bl1**

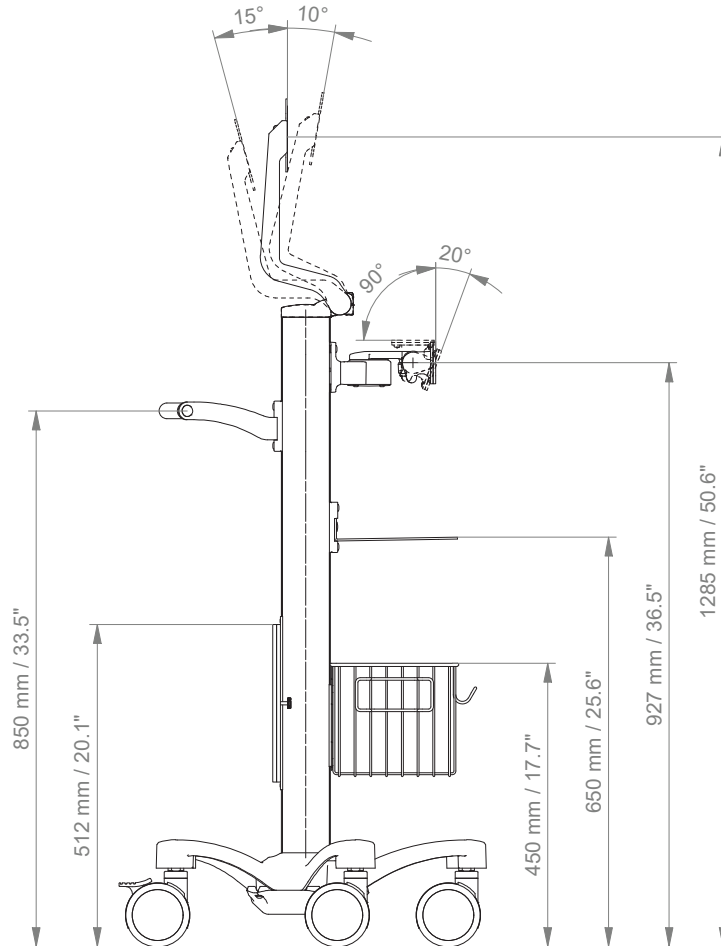
Consisting of the following parts:

- R-002K.bl1 cart light duty
- S-910GE-4S.bl1 flush mount with GE CARESCAPE ONE monitor adaption
- Z-HD-4.bl1 handle for carts
- Z-51-4Z basket big 300 x 200 x 180 mm / 11.8 x 7.9 x 7.1"
- GE-MB-4.1 L-bracket for Frame F2 / F5 with adapter vertical wall channel
- GE-C7-4Z CPU bracket for CARESCAPE B850 with adapter vertical wall channel

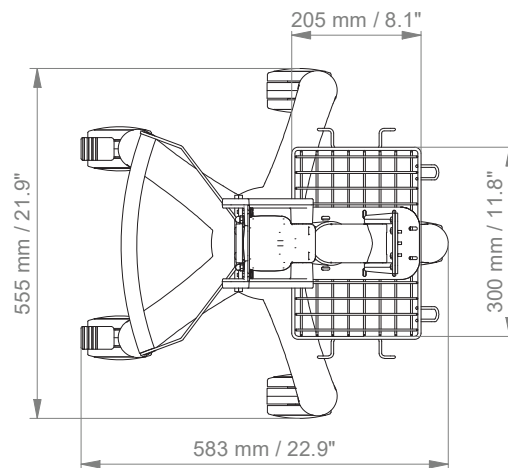
# B850 Cart light duty II

## Technical data

### SIDE VIEW



### TOP VIEW



## General notes

---

### Monitor Adaptations

CARESCAPE B850 requires a VESA 75/ 100 adaptation.

### Components' grounding

All arms with integrated cable management are equipped with **component grounding**. No grounding is required for arms with external or semi-integrated cable management with cables not being led through joints.

### Load capacity

All **height adjustable arms** have a load capacity of 22 kg / 48.5 lbs. Rear mounted monitor adaptations and horizontally mounted 5" plunge plates accept a maximum monitor weight of 18 kg / 39.7 lbs. An additional 4 kg / 8.8 lbs may be mounted on a down post underneath the front swivel part. Depending on material and tensile factor all weight indications have a 4-fold and/ or 6-fold safety factor according to IEC 60601-1 standards.

### Custom-designed solutions and MRI applications

Please contact us for **custom-designed** solutions.

### Product marking

All products which are classified as medical product risk class 1 are CE marked. As **medical product risk class 1** they are conform with the regulations (EU) 2017/745 (MDR) and IEC 60601-1. Other standards of the IEC 60601 series are not applicable to our products, regardless of their version.

**MD** A stand-alone product that is already classified as a medical product class 1 before being integrated into an overall medical device. The product is CE-marked. A declaration of conformity is available.

~~MD~~ Accessories or spare parts that have no independent function and are therefore not subject to the MDR. These products are not CE-marked. A declaration of conformity is not required.

### Warranty

All CIM products have a 5-year warranty to be free of defects in material and functionality from the date of delivery.