



MOUNTING REFERENCE GUIDE

Mindray Monitoring BeneVision N22/N19

CIM Cable Integrated Mounting System



Content

General notes	3
How to create part numbers	4
Product highlights	6
Flush mount for BeneVision N22/N19	7
Support arm pivot for BeneVision N22/N19	9
Height adjustable arm for BeneVision N22/N19	11
Extended height adjustable arm for BeneVision N22/N19	13
Table column for BeneVision N22/N19	15
Support arm pivot with ergonomic W-bracket for BeneVision N22/N19 with keyboard / mouse	17
Height adjustable arm with ergonomic W-bracket for BeneVision N22/N19 with keyboard / mouse	19
Extended height adjustable arm with ergonomic W-bracket for BeneVision N22/N19 with keyboard / mouse	21
Adapter plate quick release for SMR	23
Support arm pivot for SMR	24
Extended pivot arm light duty for SMR	26
Down post for SMR	28
Bracket for PC	29
Fixings	31
Configuration examples	32

General notes

Monitor Adaptations

VESA 75/100 monitor adaptation for BeneVision N22/N19 patient monitor.

Quick Release is used for SMR. The monitor adaption SMR quick release offers tool-free disassembly of the module rack.

Components' grounding

All arms with integrated cable management are equipped with **component grounding**. No grounding is required for arms with external or semi-integrated cable management with cables not being led through joints.

Load capacity

All **height adjustable arms** have a load capacity of 22 kg / 48.5 lbs. Rear mounted monitor adaptations and horizontally mounted 5" plunge plates accept a maximum monitor weight of 18 kg / 39.7 lbs. An additional 4 kg / 8.8 lbs may be mounted on a down post underneath the front swivel part. Depending on material and tensile factor all weight indications have a 4-fold and/ or 6-fold safety factor according to IEC 60601-1 standards.

Custom-designed solutions and MRI applications

Please contact us for **custom-designed** solutions.

Product marking

All CIM products are CE marked. As **medical product risk class 1** they are conform with the regulations (EU) 2017/745 (MDR) and IEC 60601-1. Other standards of the IEC 60601 series are not applicable to our products, regardless of their version.

MD A stand-alone product that is already classified as a medical product class 1 before being integrated into an overall medical device. The product is CE-marked. A declaration of conformity is available.

~~MD~~ Accessories or spare parts that have no independent function and are therefore not subject to the MDR. These products are not CE-marked. A declaration of conformity is not required.

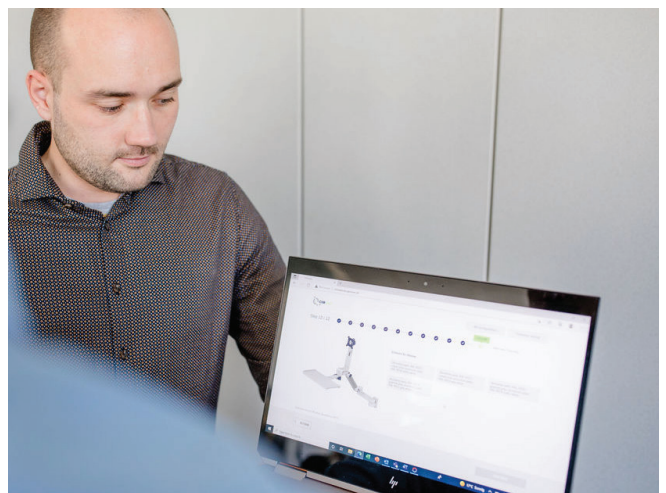
Warranty

All CIM products have a 5-year warranty to be free of defects in material and functionality from the date of delivery.

How to find the right product for your needs?

No problem with our configurator

<https://cim-configurator.com>



How to create part numbers

Part numbers can be easily created by following the steps below:

Please replace the letters in **green** with the part no. code as per your requirements.

1. Components' grounding:

S	=	not grounded
A	=	grounded

2. Choose the arm version required:

910G	=	flush mount
224G / 230G	=	support arm pivot
431G	=	height adjustable arm
73130G	=	extended height adjustable arm
224F / 230F	=	support arm pivot with W-bracket
431F	=	height adjustable arm with W-bracket
73130F	=	extended height adjustable arm with W-bracket
224Q / 230Q	=	support arm pivot for SMR
33030Q	=	extended pivot arm light duty for SMR

3. Specify where you want to mount the arm and select the fixing (Y):

1V	=	pole ø 23 - 40 mm / 0.9 - 1.6"
1	=	pole ø 25 mm / 1.0"
1B	=	pole ø 30 mm / 1.2"
1F	=	pole ø 35 mm / 1.4"
1C	=	pole ø 38 mm / 1.5"
2F	=	horizontal rails 10 x 25, 8 x 35, 10 x 30, 10 x 50 mm
3	=	vertical rail 10 x 25 mm
4S	=	vertical wall channel
9	=	Löwenstein Medical / ITD / mounting channel
13	=	Mindray medical supply units
17	=	Amico pendants & headwalls
19	=	Dräger Ambia pendants & headwalls

4. Choose the colour requested for decorative parts (C):

gr	=	RAL 7024 (graphite grey)
bl	=	RAL 5013 (cobalt blue)

How to create part numbers

5. Choose the colour requested for the aluminium die-cast parts (D):

- 1 = RAL 9016 (traffic white)
- 2 = RAL 9002 (grey white)

6. Specify the spring depending on the weight of your monitor/ device - only with height adjustable arms (X):

Please note that the weight range of the individual springs may vary depending on the bracket (X).

Pneumatic Springs Explained:

The weight ranges of the pneumatic springs shown in our catalogues relate to the minimum and maximum weights of the products that can be added to the arm, for a perfectly balanced solution. The weight ranges can vary with the same pneumatic springs, as the overall weights placed on the front of the arms have to be considered. The total weight not only reflects the actual monitor weight, but also includes monitor adaptations, brackets and/ or trays. When choosing the pneumatic spring, please consider the weight of your monitor/ device only.

For VESA adaptation

- 60 = 2 - 5 kg / 4.4 - 11 lbs
- 95 = 4 - 9 kg / 8.8 - 19.8 lbs
- 130 = 7.5 - 13 kg / 16.5 - 28.7 lbs
- 175 = 13 - 16 kg / 28.7 - 35.3 lbs
- 220 = 16 - 22 kg / 35.3 - 48.5 lbs

For W-bracket

- 95 = 2.5 - 5.5 kg / 5.5 - 12.1 lbs
- 130 = 6 - 10 kg / 13.2 - 22 lbs
- 175 = 11 - 14 kg / 24.3 - 30.9 lbs
- 220 = 13 - 16 kg / 28.7 - 35.3 lbs

7. Specify the requested size of the keyboard tray and mouse (T):

Standard	Magnetic	With wrist rest		Dimensions
30	30S		=	300 x 210 mm / 11.8 x 8.3"
40	40S		=	400 x 150 mm / 15.7 x 5.9"
50	50S	50W	=	500 x 200 mm / 19.7 x 7.9"
58	58S	58W	=	580 x 200 mm / 22.8 x 7.9"
65	65S	65W	=	650 x 200 mm / 25.6 x 7.9"
RC			=	480 x 220 mm (retractable mouse tray left/right 226 mm / 8.9")

Example

01 Grounding	02 Arm version	03 Fixing	04 & 05 Colour	06 Spring tension	07 Keyboard tray
A	- 431F	- Y	. CD	- X	- T
A	- 431F	- 4S	. gr1	- 95	- 30

Product highlights

Non-height adjustable arm

Pivot and extended pivot arms offer **full cable integration** and easy cleaning for **infection control** in all critical care areas in the clinical environment. Our **5-years warranty** guarantees reliable, trouble-free and maintenance-free operation. The swivel function at the fixing point as well as the **tilt/ swivel function** of the monitor adaptation offers optimum positioning of your device. The extended pivot arm is a two-part arm with central pivot point between the two arm sections. All bottom-mounted monitors have the safety feature of a **20° tilt stop**.

Height adjustable arm

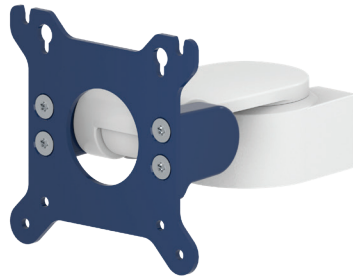
The height adjustable arm offers **full cable integration**, one-wipe clean surfaces and our **5-year warranty** on the entirety of the product. Vertically and horizontally adjustable, the arm offers optimal positioning of your device. A constant viewing angle when vertically adjusted is guaranteed by a parallel linkage. **Weight-optimized springs counter-balance** the monitor without making any adjustments. All bottom-mounted monitors have the safety feature of a **20° tilt stop**. Individual rotational stops may be integrated in any joint.

To provide the perfect combination of arm and monitor, the CIM articulated height adjustable arm has a simple quarter-turn lock to hold the arm safely in position when removing the monitor. Furthermore the arm is equipped with the unique safety feature of a slow-release gas spring. Should anybody try to remove the monitor before locking the arm in position, the arm will only rise at a slow and even tempo.

SAFETY

Flush mount for BeneVision N22/N19

MD



Monitor adaption

VESA 75/100

Colours to choose **CD**

decorative parts RAL 5013 cobalt blue / RAL 7024 graphite grey
 aluminum parts RAL 9016 traffic white / RAL 9002 grey white

Max. load capacity support arm

18 kg / 39.7 lbs

Max. load monitor adaption

18 kg / 39.7 lbs

Product weight

1 kg / 2.2 lbs

Part number

S-910G-Y.CD

Fixings Y

details page 31



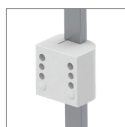
4S

Adapter for vertical wall channel



2F

Horizontal rail clamp



3

Vertical rail clamp



1V

Universal pole clamp



1
1B
1F
1C

Fixed pole clamp



13

Adapter for Mindray medical supply units



17

Adapter for Amico pendants & headwalls



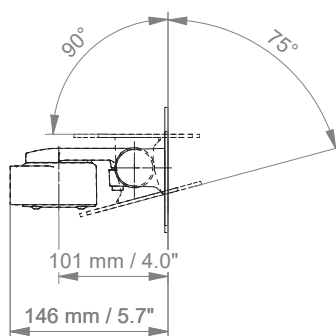
19

Adapter for Dräger Ambia pendants & headwalls

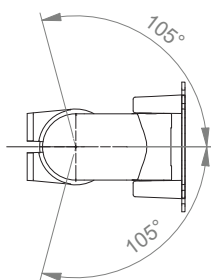
Flush mount for BeneVision N22/N19

Technical data

SIDE VIEW

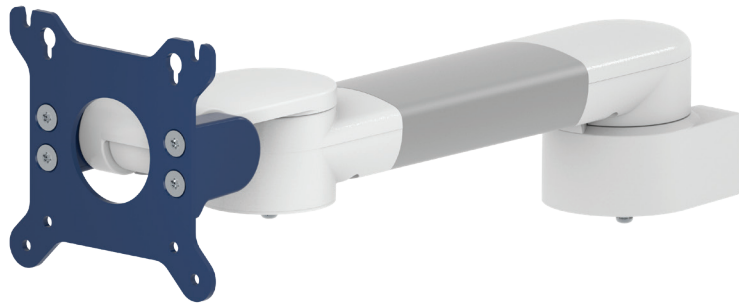


TOP VIEW



Support arm pivot for BeneVision N22/N19

MD



Monitor adaption	VESA 75/100
Colours to choose CD	decorative parts RAL 5013 cobalt blue / RAL 7024 graphite grey aluminum parts RAL 9016 traffic white / RAL 9002 grey white
Max. load capacity support arm	18 kg / 39.7 lbs
Max. load monitor adaption	18 kg / 39.7 lbs
Product weight	arm type 240 1.8 kg / 4.0 lbs arm type 300 1.9 kg / 4.2 lbs
Part number	arm type 240 A-224G- Y.CD arm type 300 A-230G- Y.CD

Fixings Y

details page 31



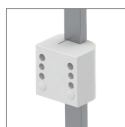
4S

Adapter for vertical wall channel



2F

Horizontal rail clamp



3

Vertical rail clamp



1V

Universal pole clamp



1
1B
1F
1C

Fixed pole clamp



13

Adapter for Mindray medical supply units



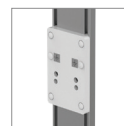
17

Adapter for Amico pendants & headwalls



19

Adapter for Dräger Ambia pendants & headwalls



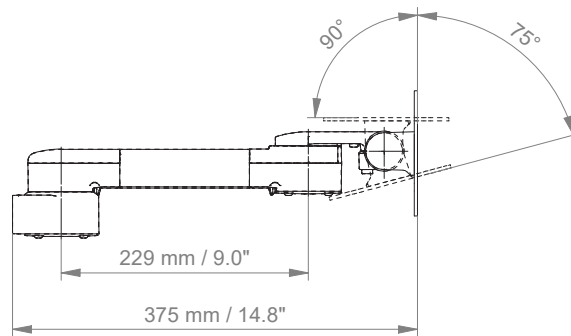
9

Adapter for Löwenstein Medical / ITD / mounting channel

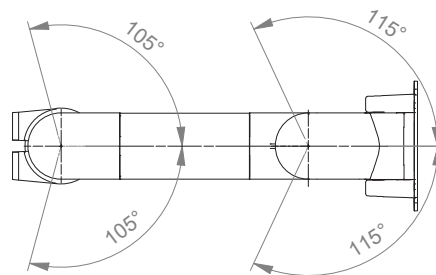
Support arm pivot for BeneVision N22/N19

Technical data - arm type 300

SIDE VIEW



TOP VIEW



Height adjustable arm for BeneVision N22/N19

MD



Monitor adaption	VESA 75/100
Height adjustment	slow-flowing spring, parallel linkage for a constant viewing angle
Colours to choose CD	decorative parts RAL 5013 cobalt blue / RAL 7024 graphite grey aluminum parts RAL 9016 traffic white / RAL 9002 grey white
Max. load capacity support arm	22 kg / 48.5 lbs
Max. load monitor adaption	18 kg / 39.7 lbs
Product weight	3.8 kg / 8.4 lbs
Balancing range X	950 N: N19/N22 1300 N: N19/N22 with PC N19 with SMR (4 modules) mounted on down post 1750 N: N22 with SMR (4 modules) mounted on down post N19/N22 with SMR (8 modules) mounted on down post 2200 N: N19/N22 with PC and SMR (4 modules) mounted on down post N19/N22 with PC and SMR (8 modules) mounted on down post
Part number	A-431G-Y.CD_X

Fixings **Y**

details page 31



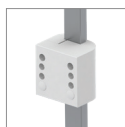
4S

Adapter for vertical wall channel



2F

Horizontal rail clamp



3

Vertical rail clamp



1V

Universal pole clamp



1
1B
1F
1C

Fixed pole clamp



13

Adapter for Mindray medical supply units



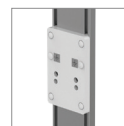
17

Adapter for Amico pendants & headwalls



19

Adapter for Dräger Ambia pendants & headwalls



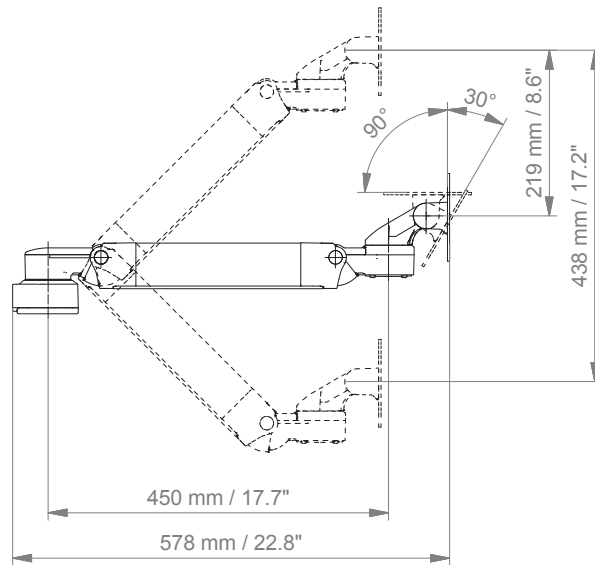
9

Adapter for Löwenstein Medical / ITD / mounting channel

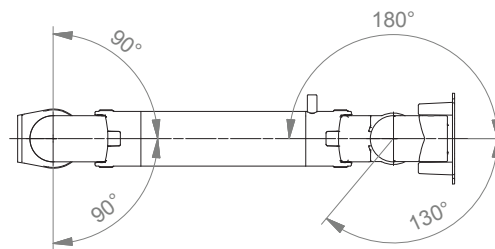
Height adjustable arm for BeneVision N22/N19

Technical data

SIDE VIEW

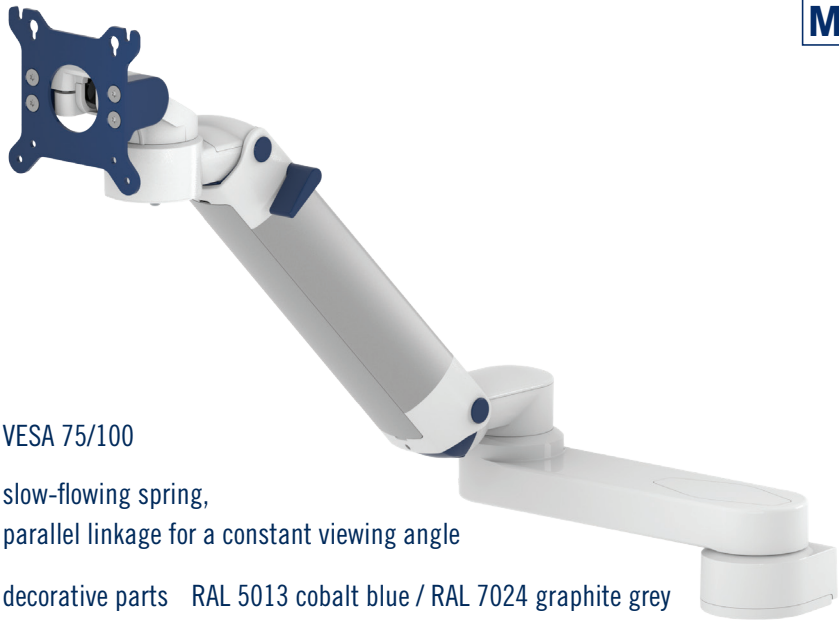


TOP VIEW



Extended height adjustable arm for BeneVision N22/N19

MD



Monitor adaption

VESA 75/100

Height adjustment

slow-flowing spring,
parallel linkage for a constant viewing angle

Colours to choose CD

decorative parts RAL 5013 cobalt blue / RAL 7024 graphite grey
aluminum parts RAL 9016 traffic white / RAL 9002 grey white

Max. load capacity support arm

22 kg / 48.5 lbs

Max. load monitor adaptation

18 kg / 39.7 lbs

Product weight

4,8 kg / 10.6 lbs

Balancing range X

950 N: N19/N22
1300 N: N19/N22 with PC
N19 with SMR (4 modules) mounted on down post
1750 N: N22 with SMR (4 modules) mounted on down post
N19/N22 with SMR (8 modules) mounted on down post
2200 N: N19/N22 with PC and SMR (4 modules) mounted on down post
N19/N22 with PC and SMR (8 modules) mounted on down post

Part number

A-73130G-Y.CD_X

Fixings Y

details page 31



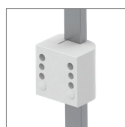
4S

Adapter for
vertical wall channel



2F

Horizontal rail clamp



3

Vertical rail clamp



1V

Universal pole clamp



1
1B
1F
1C

Fixed pole clamp



13

Adapter for Mindray
medical supply units



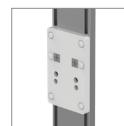
17

Adapter for Amico
pendants & headwalls



19

Adapter for Dräger Ambia
pendants & headwalls



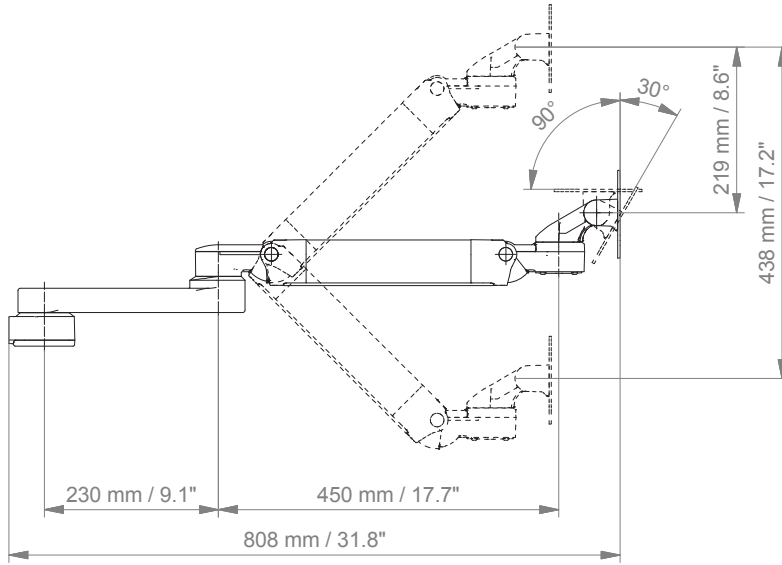
9

Adapter for Löwenstein Medical /
ITD / mounting channel

Extended height adjustable arm for BeneVision N22/N19

Technical data

SIDE VIEW



TOP VIEW

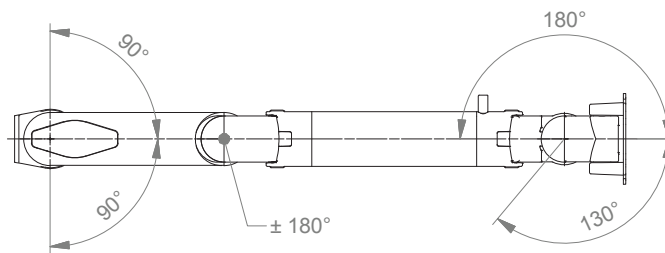


Table column for BeneVision N22/N19

MD



Monitor adaption

VESA 75/100

Colours to choose **CD**

decorative parts RAL 5013 cobalt blue / RAL 7024 graphite grey
 aluminum parts RAL 9016 traffic white / RAL 9002 grey white

Max. load monitor adaptation

18 kg / 39.7 lbs

Part number

Counter top with base plate to mount to desk or even surfaces (see illustration)
 T-CG-60.**CD**_350 height 350 mm / 13.8"

All free-standing counter tops have to be tip-tested for stability depending on the weight of the monitor! **!**

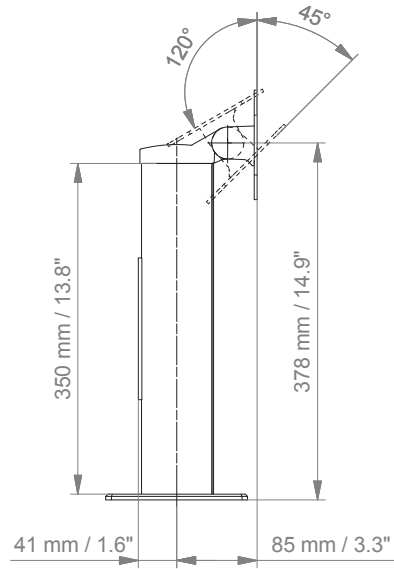
Counter top free-standing
 T-CG-62.**CD**_350 height 350 mm / 13.8"

Vertical mount for PC (to mounted on rear side of the column)
 MD-PC-4Z.1 (details see page 29)

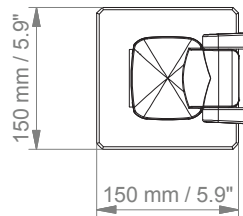
Table column for BeneVision N22/N19

Technical data - with base plate

SIDE VIEW



TOP VIEW



Support arm pivot with ergonomic W-bracket for BeneVision N22/N19 with keyboard / mouse

MD



Monitor / keyboard adaption

W-bracket VESA 75/100 and keyboard / mouse tray

Colours to choose CD

decorative parts RAL 5013 cobalt blue / RAL 7024 graphite grey
 aluminum parts RAL 9016 traffic white / RAL 9002 grey white

Max. load capacity support arm

18 kg / 39.7 lbs

Max. load monitor adaptation

18 kg / 39.7 lbs

Product weight

arm type 240 arm type 300
 3.4 - 5.0 kg / 7.5 - 11.0 lbs 3.6 - 5.1 kg / 7.9 - 11.2 lbs (according to dimensions of keyboard tray)

Keyboard tray

300 x 210 mm, 400 x 150 mm, 500 x 200 mm, 580 x 200 mm, 650 x 200, 480 x 220 mm
 11.8 x 8.3", 15.7 x 5.9", 19.7 x 7.9", 22.8 x 7.9", 25.6 x 7.9", 18.9 x 8.7"

Part number

arm type 240 arm type 300
 A-224F-Y.CD_T A-230F-Y.CD_T

Fixings Y

details page 31



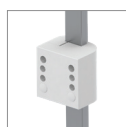
4S

Adapter for vertical wall channel



2F

Horizontal rail clamp



3

Vertical rail clamp



1V

Universal pole clamp



1

1B

1F

1C

Fixed pole clamp



13

Adapter for Mindray medical supply units



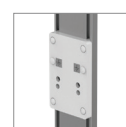
17

Adapter for Amico pendants & headwalls



19

Adapter for Dräger Ambia pendants & headwalls



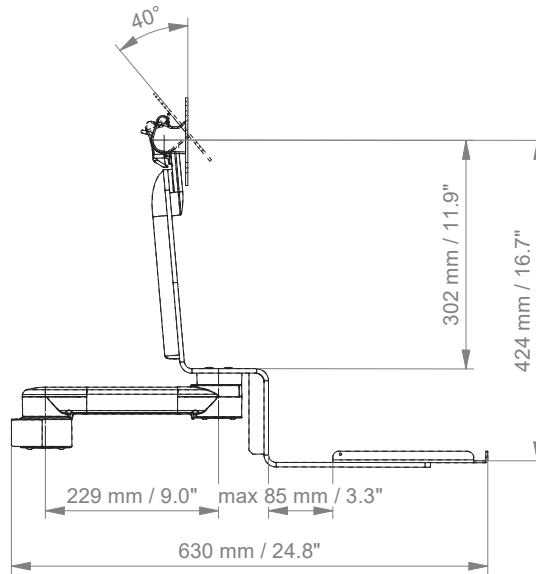
9

Adapter for Löwenstein Medical / ITD / mounting channel

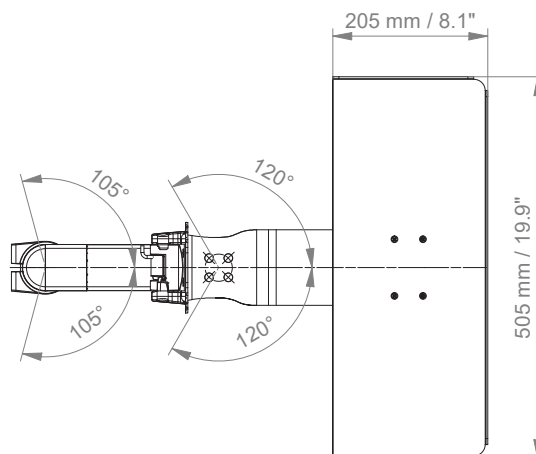
Support arm pivot with ergonomic W-bracket for BeneVision N22/N19 with keyboard / mouse

Technical data - arm type 300, keyboard tray 500 x 200 mm / 19.7 x 7.9"

SIDE VIEW



TOP VIEW



Height adjustable arm with ergonomic W-bracket for BeneVision N22/N19 with keyboard / mouse

MD



Monitor adaption	W-bracket VESA 75/100 and keyboard / mouse tray
Height adjustment	slow-flowing spring, parallel linkage for a constant viewing angle
Colours to choose CD	decorative parts RAL 5013 cobalt blue / RAL 7024 graphite grey aluminum parts RAL 9016 traffic white / RAL 9002 grey white
Max. load capacity support arm	18 kg / 39.7 lbs
Max. load monitor adaption	18 kg / 39.7 lbs
Product weight	5.3 - 6.9 kg / 10.8 - 15.2 lbs (according to dimensions of keyboard tray)
Balancing range X	1300 N: N22/ N19 N19 with PC 1750 N: N22 with PC
Keyboard tray T	300 x 210 mm, 400 x 150 mm, 500 x 200 mm, 580 x 200 mm, 650 x 200, 480 x 220 mm 11.8 x 8.3", 15.7 x 5.9", 19.7 x 7.9", 22.8 x 7.9", 25.6 x 7.9", 18.9 x 8.7"
Part number	A-431F-Y.CD_X_T

Fixings **Y**

details page 31



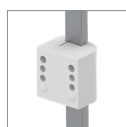
4S

Adapter for vertical wall channel



2F

Horizontal rail clamp



3

Vertical rail clamp



1V

Universal pole clamp



1
1B
1F
1C

Fixed pole clamp



13

Adapter for Mindray medical supply units



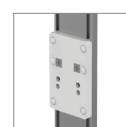
17

Adapter for Amico pendants & headwalls



19

Adapter for Dräger Ambia pendants & headwalls



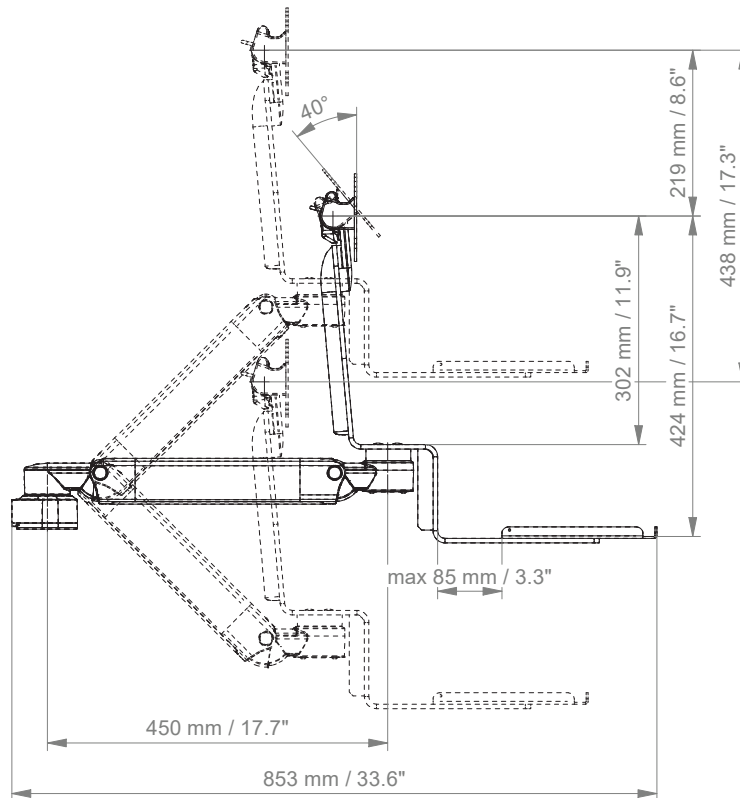
9

Adapter for Löwenstein Medical / ITD / mounting channel

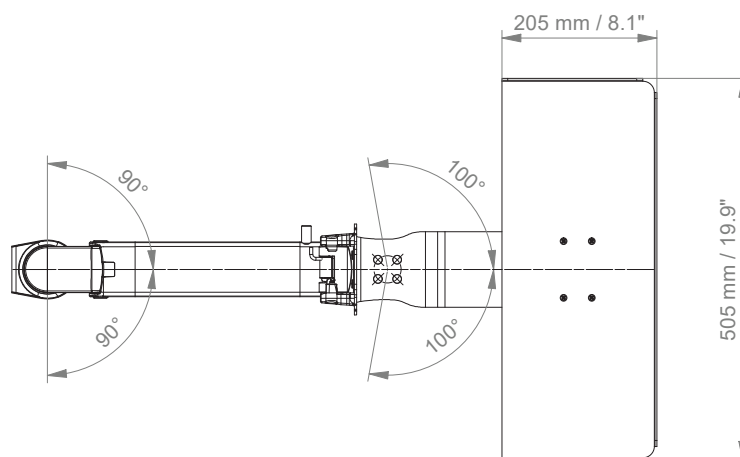
Height adjustable arm with ergonomic W-bracket for BeneVision N22/N19 with keyboard / mouse

Technical data - keyboard tray 500 x 200 mm / 19.7 x 7.9"

SIDE VIEW

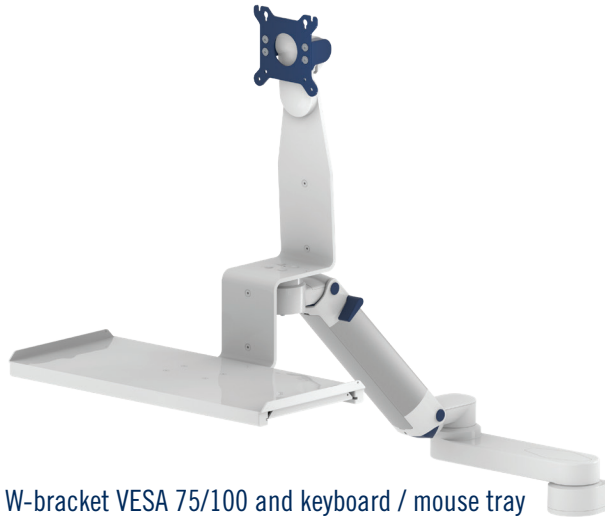


TOP VIEW



Extended height adjustable arm with W-bracket for BeneVision N22/N19 with keyboard / mouse

MD



Monitor adaption

W-bracket VESA 75/100 and keyboard / mouse tray

Height adjustment

slow-flowing spring, parallel linkage for a constant viewing angle

Colours to choose CD

decorative parts RAL 5013 cobalt blue / RAL 7024 graphite grey
aluminum parts RAL 9016 traffic white / RAL 9002 grey white

Max. load capacity support arm

18 kg / 39.7 lbs

Max. load monitor adaption

18 kg / 39.7 lbs

Product weight

6.4 - 8.0 kg / 14.1 - 17.6 lbs (according to dimensions of keyboard tray)

Balancing range X

1300 N: N22/ N19
N19 with PC
1750 N: N22 with PC

Keyboard tray T

300 x 210 mm, 400 x 150 mm, 500 x 200 mm, 580 x 200 mm, 650 x 200, 480 x 220 mm
11.8 x 8.3", 15.7 x 5.9", 19.7 x 7.9", 22.8 x 7.9", 25.6 x 7.9", 18.9 x 8.7"

Part number

A-73130F-Y.CD_X_T

Fixings Y

details page 31



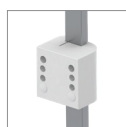
4S

Adapter for vertical wall channel



2F

Horizontal rail clamp



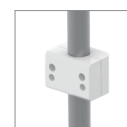
3

Vertical rail clamp



1V

Universal pole clamp



1
1B
1F
1C

Fixed pole clamp



13

Adapter for Mindray medical supply units



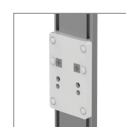
17

Adapter for Amico pendants & headwalls



19

Adapter for Dräger Ambia pendants & headwalls



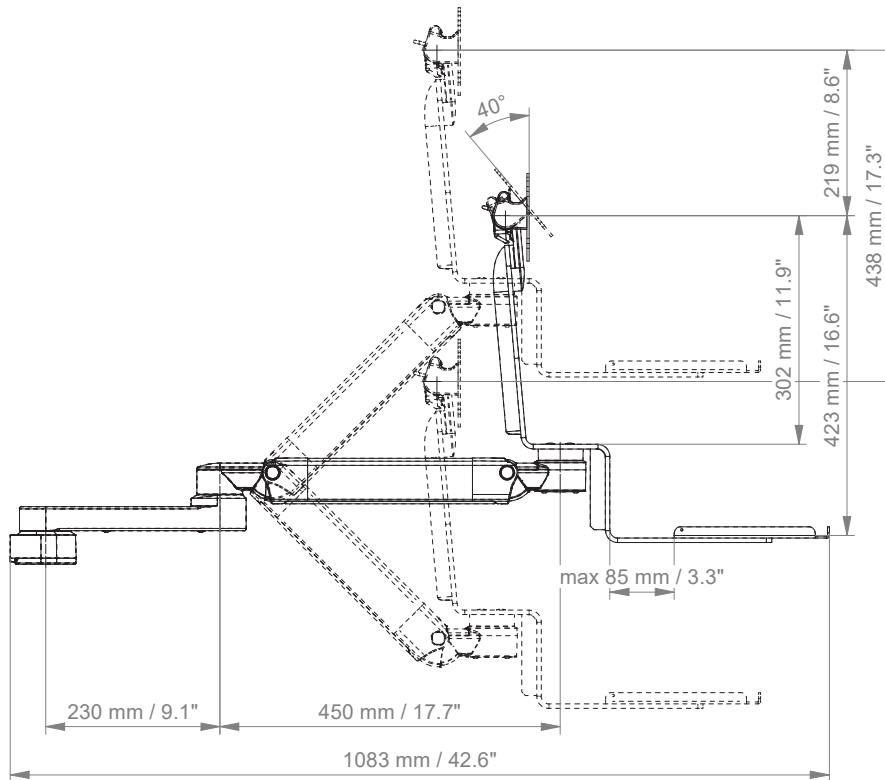
9

Adapter for Löwenstein Medical / ITD / mounting channel

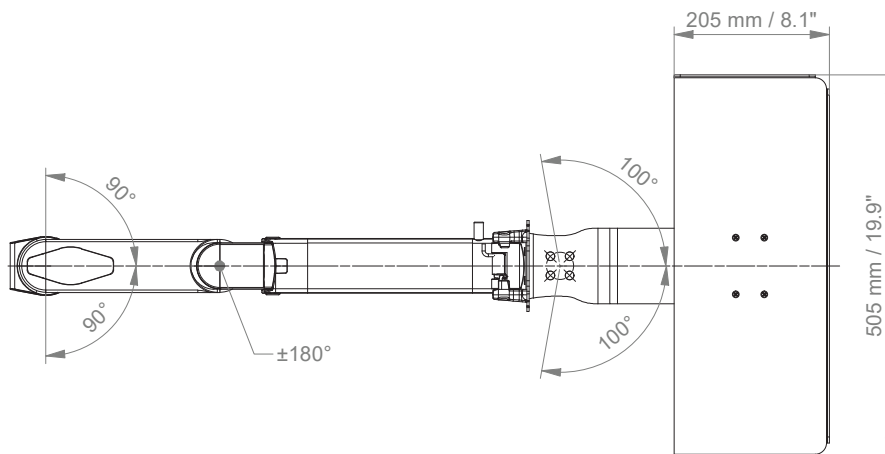
Extended height adjustable arm with W-bracket for BeneVision N22/N19 with keyboard / mouse

Technical data - keyboard tray 500 x 200 mm / 19.7 x 7.9"

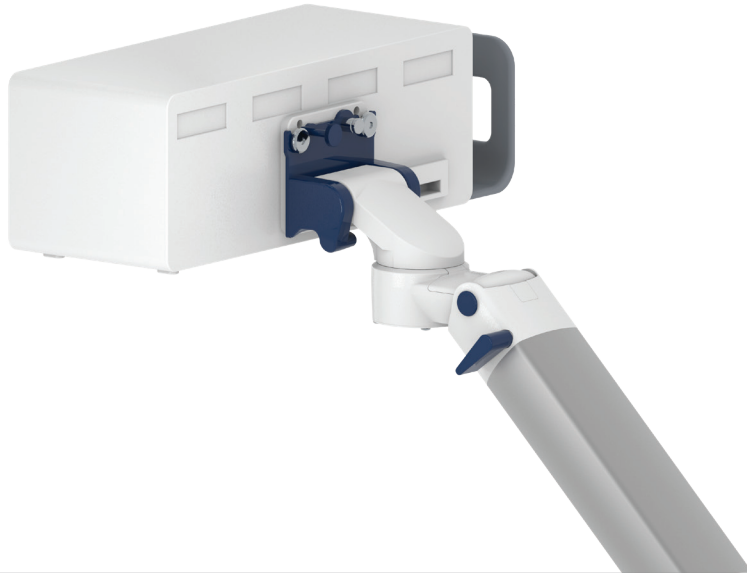
SIDE VIEW



TOP VIEW



Adapter plate quick release for SMR



Adapter plate quick release (**MD-QR-SMR.1**)

The adapter plate matches the hole pattern of the SMR module housing and is included in the package. The adapter plate has to be ordered separately.
Product weight 0.2 kg / 0.4 lbs



Support arm pivot for SMR



Monitor adaption

quick release base plate

Colours to choose **CD**

decorative parts RAL 5013 cobalt blue / RAL 7024 graphite grey
 aluminum parts RAL 9016 traffic white / RAL 9002 grey white

Max. load capacity support arm

18 kg / 39.7 lbs

Max. load monitor adaptation

18 kg / 39.7 lbs

Product weight

arm type 240 arm type 300
 1.6 kg / 3.5 lbs 1.8 kg / 4.0 lbs

Part number

arm type 240 arm type 300
 A-224Q-Y.CD A-230Q-Y.CD
 MD-QR-SMR.1 quick release adapter plate SMR

Fixings **Y**

details page 31



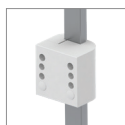
4S

Adapter for vertical wall channel



2F

Horizontal rail clamp



3

Vertical rail clamp



1V

Universal pole clamp



1
1B
1F
1C

Fixed pole clamp



13

Adapter for Mindray medical supply units



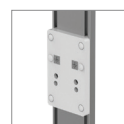
17

Adapter for Amico pendants & headwalls



19

Adapter for Dräger Ambia pendants & headwalls



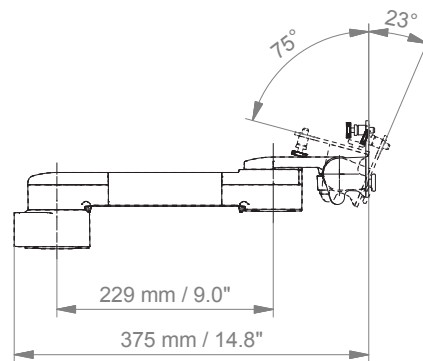
9

Adapter for Löwenstein Medical / ITD / mounting channel

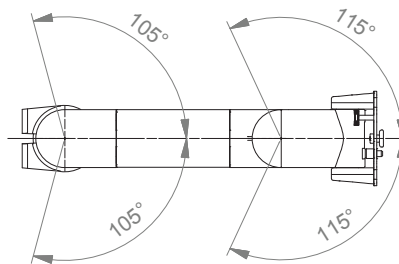
Support arm pivot for SMR

Technical data - arm type 300

SIDE VIEW

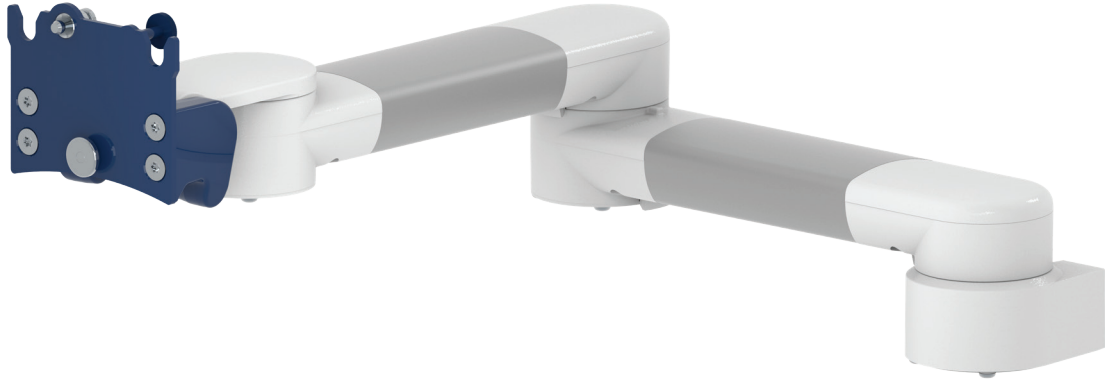


TOP VIEW



Extended pivot arm light duty for SMR

MD



Monitor adaption

quick release base plate

Colours to choose **CD**

decorative parts RAL 5013 cobalt blue / RAL 7024 graphite grey
 aluminum parts RAL 9016 traffic white / RAL 9002 grey white

Max. load capacity support arm

8 kg / 17.6 lbs

Max. load monitor adaptation

8 kg / 17.6 lbs

Product weight

2.7 kg / 6.0 lbs

Part number

A-33030Q-Y.CD

MD-QR-SMR.1 quick release adapter plate SMR

Fixings Y

details page 31



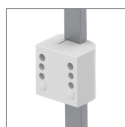
4S

Adapter for vertical wall channel



2F

Horizontal rail clamp



3

Vertical rail clamp



1V

Universal pole clamp



1
1B
1F
1C

Fixed pole clamp



13

Adapter for Mindray medical supply units



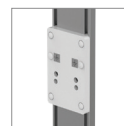
17

Adapter for Amico pendants & headwalls



19

Adapter for Dräger Ambia pendants & headwalls



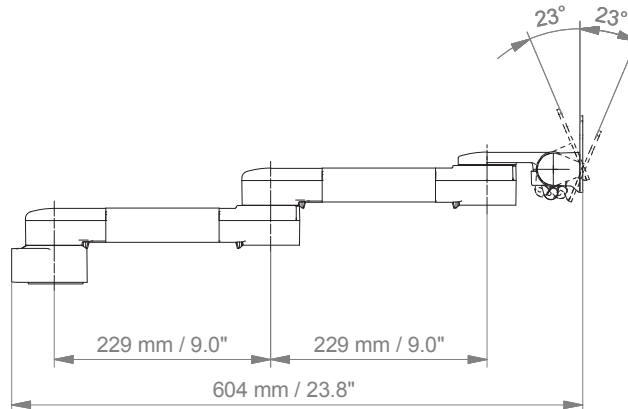
9

Adapter for Löwenstein Medical / ITD / mounting channel

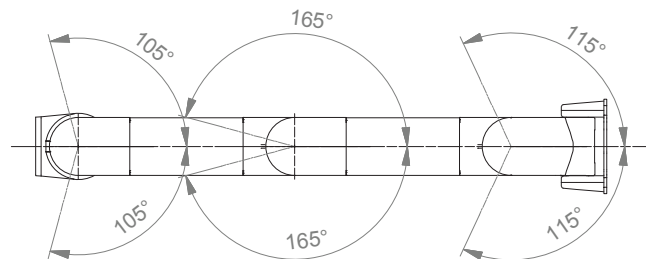
Extended pivot arm light duty for SMR

Technical data

SIDE VIEW



TOP VIEW



Down post for SMR



Part number

rotatable, to attach to non-height adjustable arms

including SMR adapter plate quick release / SMR (page 23)

Z-DPR-SMR-70.gr1_400 length 400 mm / 15.8"

Z-DPR-SMR-70.gr1_300 length 300 mm / 11.8"

rotatable, to attach to height adjustable arms

including SMR adapter plate quick release / SMR (page 23)

Z-DPR-SMR-71.gr1_400 length 400 mm / 15.8"

Z-DPR-SMR-71.gr1_300 length 300 mm / 11.8"

Bracket for PC - wall channel

MD



Fixed PC bracket

adapter plate for existing wall channel

Part number

MD-PC-4Z.1

Bracket for PC - european rail or pole

MD**Fixed PC bracket**

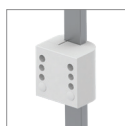
adapter plate for European rail or pole

Part number

MD-PC-WK-Y.1

Fixings Y

details page 31



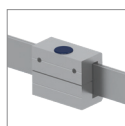
3

Vertical rail clamp



1V

Universal pole clamp






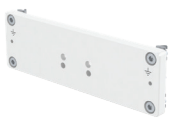




6H

Horizontal rail clamp

Fixings Y



Illustration	Description	Notes	Weight	Part no.
	Adapter for vertical wall channel	To mount to CIM wall channel (compatible with GCX channel) Please order separately: CIM wall channel, see catalogue accessoires	0.6 kg / 1.3 lbs	4S
	Horizontal rail clamp	To mount to horizontal European rails 10 x 25, 8 x 35, 10 x 30, 10 x 50 mm	1.1 kg / 2.4 lbs	2F
	Vertical rail clamp	To mount to vertical European rail 10 x 25 mm	0.5 kg / 1.1 lbs	3
	Universal pole clamp	V-block to mount to pole \varnothing 23 - 40 mm / 0.9 - 1.6"	0.6 kg / 1.3 lbs	1V
	Fixed pole clamp	To mount to pole \varnothing 25 mm / 1.0" To mount to pole \varnothing 30 mm / 1.2" To mount to pole \varnothing 35 mm / 1.4" To mount to pole \varnothing 38 mm / 1.5"	0.3 kg / 0.7 lbs 0.4 kg / 0.9 lbs 0.4 kg / 0.9 lbs 0.4 kg / 0.9 lbs	1 1B 1F 1C
	Adapter medical supply units	For Mindray medical supply units	0.8 kg / 1.8 lbs	13
	Adapter pendants & headwalls	For Amico pendants & headwalls	0.6 kg / 1.3 lbs	17
	Adapter pendants & headwalls	For Dräger Ambia pendants & headwalls	0.6 kg / 1.3 lbs	19
	Adapter pendants & headwalls	For Löwenstein Medical / ITD / mounting channels	0.4 kg / 0.9 lbs	9

Configuration examples



Mounting	Description	Part no.
BeneVision N22/N19	CIM height adjustable arm with ergonomic W-bracket for monitor (VESA 75/100) and keyboard tray 580 x 200 mm / 22.8 x 7.9"	A-431F-4S.bl1_130_58
SMR	CIM pivot arm with SMR, arm length 300 mm / 11.8" Dual cable hook to mount underneath pivot arm	A-230SMR-4S.bl1 Z-KH2-70.1
PC	Bracket for PC	MD-PC-4Z.1
Optional to order	CIM wall channel (including channel cover and end caps) L = 480 mm / 18.9" L = 720 mm / 28.4" L = 960 mm / 37.8"	Z-WK.w_480 Z-WK.w_720 Z-WK.w_960

Configuration examples



Mounting	Description	Part no.
BeneVision N22/N19	CIM pivot arm for monitor (VESA 75/100), arm length 230 mm / 9.1" Down post, length 400 mm / 15.8", to mount SMR	A-230G-4S.bl1 Z-DPR-SMR-70.bl1_400
Optional to order	CIM wall channel (including channel cover and end caps) L = 480 mm / 18.9" L = 720 mm / 28.4" L = 960 mm / 37.8"	Z-WK.w_480 Z-WK.w_720 Z-WK.w_960



Mindray Monitoring BeneVision N22/N19_2024.01_EN

CIM med GmbH

Euro-Industriepark
Margot-Kalinke-Str. 9
80939 Munich / Germany

T +49 89. 978 94 08-0

CIM med Inc.

2024 E Independence Commerce Dr
Matthews, NC 28105 / USA

T +1 855 895 4722

info@cim-med.com
www.cim-med.com

