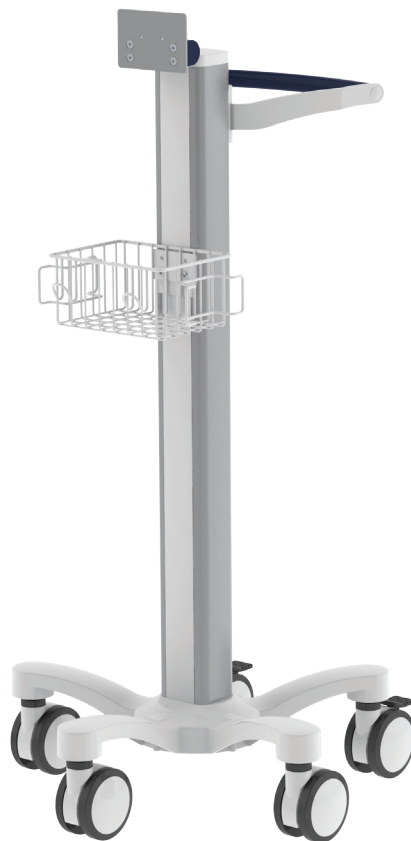


Cart light duty kit I for MP2 / X2 / X3

MD

Monitor adaption

adapter for MP2/ X2/ X3

Cart light duty

 5-star base aluminum base without counter weight
 double wheel castors, \varnothing 100 mm / 3.9", 2 lockable
 column to accept components and accessories on opposite sides

Colours

decorative parts	RAL 5013 cobalt blue
base	RAL 9016 traffic white
handle	RAL 9013 cobalt blue

Maximum load monitor adaptation

2 kg / 4.4 lbs

Maximum load basket

2.5 kg / 5.5 lbs

Kit number
PH-002X2X3-01.bl1

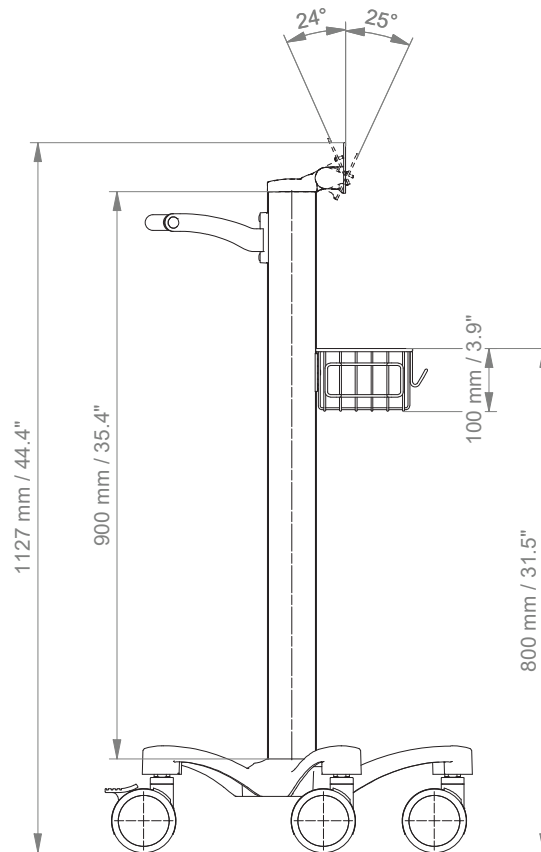
Consisting of the following parts:

R-002X2X3.bl1	cart light duty
Z-HD-4.bl1	handle for carts
Z-52-4Z.1	basket small 200 x 150 x 100 mm / 7.9 x 5.9 x 3.9"

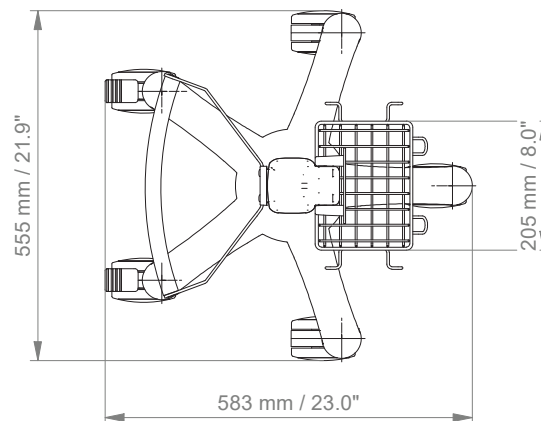
Cart light duty kit I for MP2 / X2 / X3

Technical data

SIDE VIEW



TOP VIEW



General notes

Monitor adaptations

All mounting systems for **Philips IntelliVue series** are prepared to accept the Philips table top mount.

Mounting solutions for the **Efficia series** and **Sure Signs / Vital Signs** are shown in the catalogue “5” plunge plate adaptation”.

Please note!

The Philips table top mount must be ordered separately by Philips.

Components' grounding

All arms with integrated cable management are equipped with **component grounding**. No grounding is required for arms with external or semi-integrated cable management with cables not being led through joints.

Load capacity

All **height adjustable arms** have a load capacity of 22 kg / 48.5 lbs. Rear mounted monitor adaptations and horizontally mounted 5” plunge plates accept a maximum monitor weight of 18 kg / 39.7 lbs. An additional 4 kg / 8.8 lbs may be mounted on a down post underneath the front swivel part. Depending on material and tensile factor all weight indications have a 4-fold and/ or 6-fold safety factor according to IEC 60601-1 standards.

Custom-designed solutions and MRI applications

Please contact us for **custom-designed** solutions.

Product marking

All products which are classified as medical product risk class 1 are CE marked. As **medical product risk class 1** they are conform with the regulations (EU) 2017/745 (MDR) and IEC 60601-1. Other standards of the IEC 60601 series are not applicable to our products, regardless of their version.

MD A stand-alone product that is already classified as a medical product class 1 before being integrated into an overall medical device. The product is CE-marked. A declaration of conformity is available.

~~MD~~ Accessories or spare parts that have no independent function and are therefore not subject to the MDR. These products are not CE-marked. A declaration of conformity is not required.

Warranty

All CIM products have a 5-year warranty to be free of defects in material and functionality from the date of delivery.

How to find the right product for your needs?

No problem with our configurator

<https://cim-configurator.com>

