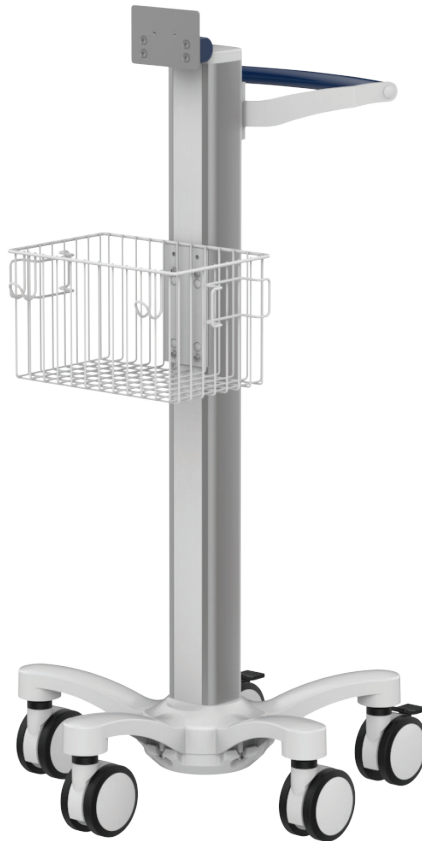


# Cart light duty kit II for MP2 / X2 / X3

**MD**



**Monitor adaption**

adapter for MP2/ X2/ X3

**Cart light duty**

5-star base aluminum base with counter weight  
double wheel castors,  $\varnothing$  100 mm / 3.9", 2 lockable  
column to accept components and accessories on opposite sides

**Colours**

decorative parts RAL 5013 cobalt blue  
base RAL 9016 traffic white  
handle RAL 9013 cobalt blue

**Maximum load monitor adaptation**

2 kg / 4.4 lbs

**Maximum load basket**

10 kg / 22 lbs

**Kit number**

**PH-002X2X3-02.bl1**

Consisting of the following parts:

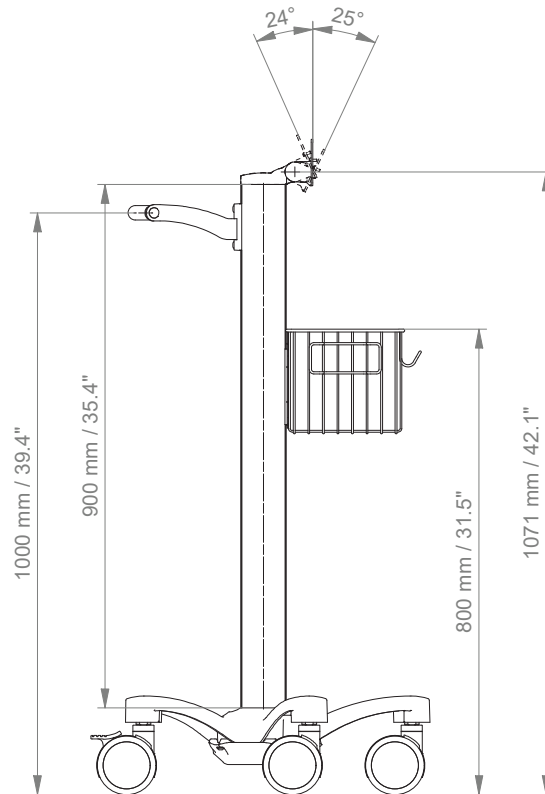
- R-002X2X3.bl1 cart light duty
- Z-HD-4.bl1 handle for carts
- Z-51-4Z.1 basket big 300 x 200 x 180 mm / 11.8 x 7.9 x 7.1"
- Z-CT-7.1 counter weight

# Cart light duty kit II for MP2 / X2 / X3

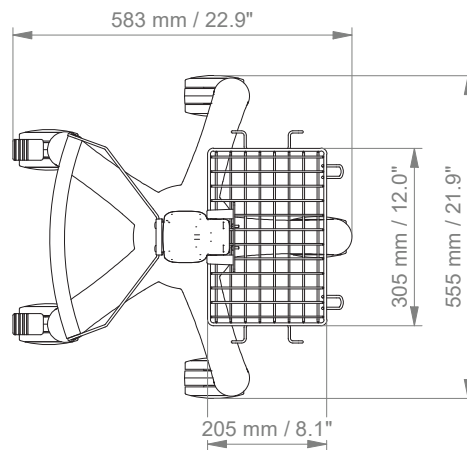
## Technical data

---

### SIDE VIEW



### TOP VIEW



## General notes

---

### Monitor adaptations

All mounting systems for **Philips IntelliVue series** are prepared to accept the Philips table top mount.

Mounting solutions for the **Efficia series** and **Sure Signs / Vital Signs** are shown in the catalogue “5” plunge plate adaptation”.

### Please note!

The Philips table top mount must be ordered separately by Philips.

### Components' grounding

All arms with integrated cable management are equipped with **component grounding**. No grounding is required for arms with external or semi-integrated cable management with cables not being led through joints.

### Load capacity

All **height adjustable arms** have a load capacity of 22 kg / 48.5 lbs. Rear mounted monitor adaptations and horizontally mounted 5” plunge plates accept a maximum monitor weight of 18 kg / 39.7 lbs. An additional 4 kg / 8.8 lbs may be mounted on a down post underneath the front swivel part. Depending on material and tensile factor all weight indications have a 4-fold and/ or 6-fold safety factor according to IEC 60601-1 standards.

### Custom-designed solutions and MRI applications

Please contact us for **custom-designed** solutions.

### Product marking

All products which are classified as medical product risk class 1 are CE marked. As **medical product risk class 1** they are conform with the regulations (EU) 2017/745 (MDR) and IEC 60601-1. Other standards of the IEC 60601 series are not applicable to our products, regardless of their version.

**MD** A stand-alone product that is already classified as a medical product class 1 before being integrated into an overall medical device. The product is CE-marked. A declaration of conformity is available.

~~MD~~ Accessories or spare parts that have no independent function and are therefore not subject to the MDR. These products are not CE-marked. A declaration of conformity is not required.

### Warranty

All CIM products have a 5-year warranty to be free of defects in material and functionality from the date of delivery.

---

## How to find the right product for your needs?

No problem with our configurator

<https://cim-configurator.com>

