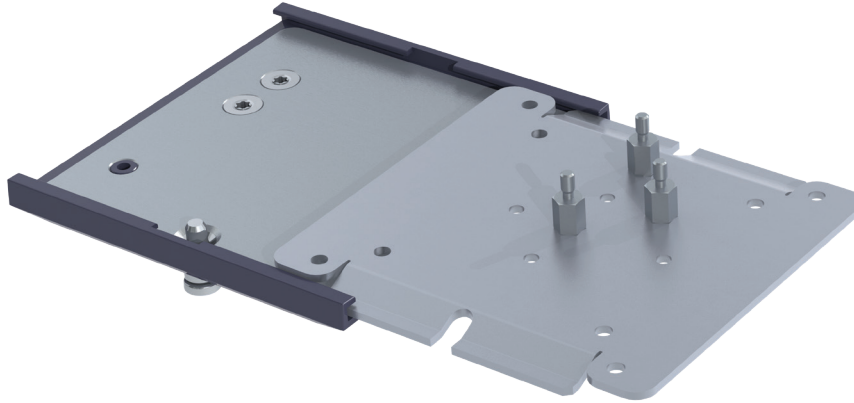


Monitor-specific mounting adapter for Philips monitoring



Monitor Description	Description	Part No.
Sure Signs / Vital Signs	Mounting adapter for 5" plunge plate	PH-AP-SS
Efficia CM100 / CM120 / CM150	Mounting adapter for 5" plunge plate	PH-AP-EF

Adapter plates are intended for CIM products only.

These part numbers are valid only when ordered in combination with CIM support arms, carts or counter tops. Adapter plates ordered separately are subject to prior approval. Please note that in this case part numbers and prices will change.

Adapter plates for Sure Signs/ Vital Signs require a 5" plunge plate. You will find mounting solutions with 5" mounting plate in the catalogue: 5" plunge plate adaptation.