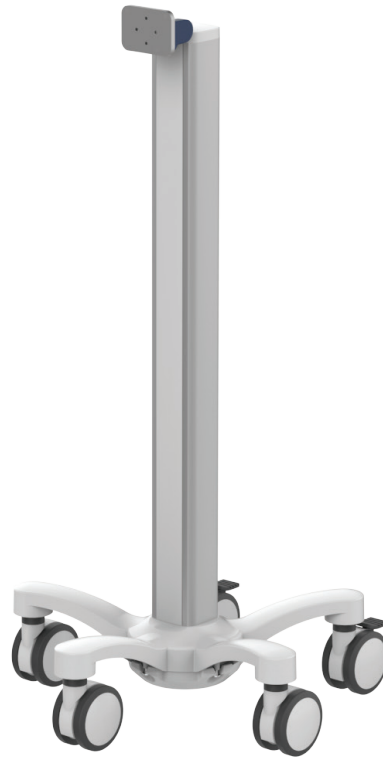


# Cart light duty

MD



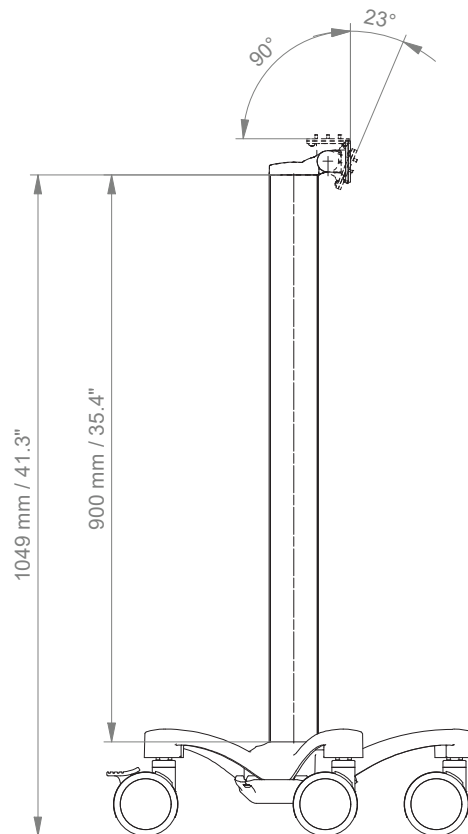
<b>Monitor adaption</b>	GE CARESCAPE ONE adaption								
<b>Accessories</b>	5-star base aluminum base with counter weight double wheel castors, ø 100 mm / 3.9", 2 lockable column to accept components and accessories on opposite sides								
<b>Colours to choose</b> <span style="color: green;">CD</span>	Decorative parts RAL 5013 cobalt blue / RAL 7024 graphite grey Base RAL 9016 traffic white / RAL 5013 cobalt blue Handle RAL 9016 traffic white / RAL 5013 cobalt blue / RAL 7024 graphite grey								
<b>Max. load capacity</b>	14 kg / 30.9 lbs								
<b>Optional accessories</b>	Basket big 300 x 200 x 180 mm / 11.8 x 7.9 x 7.1" Basket small 200 x 150 x 100 mm / 7.9 x 5.9 x 3.9" Handle								
<b>Part number</b>	<table border="0"> <tr> <td>Cart</td> <td>R-002GE.<span style="color: green;">CD</span></td> </tr> <tr> <td>Basket big</td> <td>Z-51-4Z.1</td> </tr> <tr> <td>Basket small</td> <td>Z-52-4Z.1</td> </tr> <tr> <td>Handle</td> <td>Z-HD-4.<span style="color: green;">C1</span></td> </tr> </table>	Cart	R-002GE. <span style="color: green;">CD</span>	Basket big	Z-51-4Z.1	Basket small	Z-52-4Z.1	Handle	Z-HD-4. <span style="color: green;">C1</span>
Cart	R-002GE. <span style="color: green;">CD</span>								
Basket big	Z-51-4Z.1								
Basket small	Z-52-4Z.1								
Handle	Z-HD-4. <span style="color: green;">C1</span>								

# Cart light duty

## Technical data

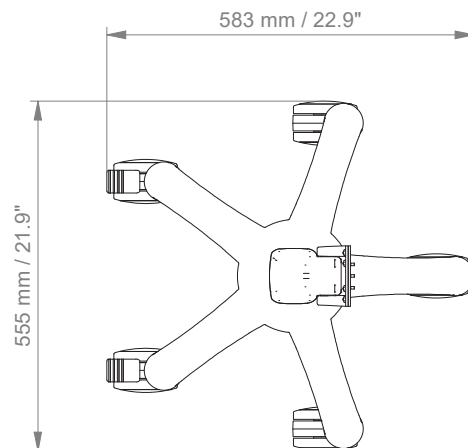
---

### SIDE VIEW



---

### TOP VIEW



# How to create part numbers

Part numbers can be easily created by following the steps below:

Please replace the letters in **green** with the part no. code as per your requirements.

## 1. Components' grounding:

S	=	not grounded
A	=	grounded

## 2. Choose the arm version required:

431G	=	height adjustable arm
910GE	=	flush mount
224GE / 230GE	=	support arm pivot
33030GE	=	extended pivot arm light duty
431GE	=	height adjustable arm
73130GE	=	extended height adjustable arm

## 3. Specify where you want to mount the arm and select the fixing (Y):

1V	=	pole ø 23 - 40 mm / 0.9 - 1.6"
1	=	pole ø 25 mm / 1.0"
1B	=	pole ø 30 mm / 1.2"
1F	=	pole ø 35 mm / 1.4"
1C	=	pole ø 38 mm / 1.5"
2F	=	horizontal rails 10 x 25, 8 x 35, 10 x 30, 10 x 50 mm
3	=	vertical rail 10 x 25 mm
4S	=	vertical wall channel
9	=	Löwenstein Medical / ITD / mounting channel
13	=	Mindray medical supply units
17	=	Amico pendants & headwalls

## How to create part numbers

### 4. Choose the colour requested for decorative parts (C):

gr = RAL 7024 (graphite grey)  
 bl = RAL 5013 (cobalt blue)

### 5. Choose the colour requested for the aluminium die-cast parts (D):

1 = RAL 9016 (traffic white)  
 2 = RAL 9002 (grey white)

### 6. Specify the spring depending on the weight of your monitor/ device - only with height adjustable arms (X):

60 = 2 - 5 kg / 4.4 - 11 lbs  
 130 = 7.5 - 13 kg / 16.5 - 28.7 lbs  
 160 = 12.5 - 19 kg / 27.6 - 41.9 lbs

## Example

01 Grounding	02 Arm version	03 Fixing	04 & 05 Colour	06 Spring tension
A	- 431GE	- Y	. CD	- X
A	- 431GE	- 4S	. gr1	- 60

## How to find the right product for your needs?

No problem with our configurator

<https://cim-configurator.com>



## General notes

---

### Monitor Adaptations

The various GE monitors require different monitor presentations: For **CARESCAPE B105/ B125/ B450/ B650** all mounting solutions with 5" plunge plate are suitable. Please refer to the mounting reference guide for 5" plunge plate solutions. **CARESCAPE ONE, sensor holder** and **docking station** require a CARESCAPE ONE specific mounting adapter.

### Components' grounding

All arms with integrated cable management are equipped with **component grounding**. No grounding is required for arms with external or semi-integrated cable management with cables not being led through joints.

### Load capacity

All **height adjustable arms** have a load capacity of 22 kg / 48.5 lbs. Rear mounted monitor adaptations and horizontally mounted 5" plunge plates accept a maximum monitor weight of 18 kg / 39.7 lbs. An additional 4 kg / 8.8 lbs may be mounted on a down post underneath the front swivel part. Depending on material and tensile factor all weight indications have a 4-fold and/ or 6-fold safety factor according to IEC 60601-1 standards.

### Custom-designed solutions and MRI applications

Please contact us for **custom-designed** solutions.

### Product marking

All products which are classified as medical product risk class 1 are CE marked. As **medical product risk class 1** they are conform with the regulations (EU) 2017/745 (MDR) and IEC 60601-1. Other standards of the IEC 60601 series are not applicable to our products, regardless of their version.

**MD** A stand-alone product that is already classified as a medical product class 1 before being integrated into an overall medical device. The product is CE-marked. A declaration of conformity is available.

~~MD~~ Accessories or spare parts that have no independent function and are therefore not subject to the MDR. These products are not CE-marked. A declaration of conformity is not required.

### Warranty

All CIM products have a 5-year warranty to be free of defects in material and functionality from the date of delivery.