

Table column / floor column

MD

The column profile can be mounted to table or floor. The opposite C-profiles are intended to accept all CIM arms and/ or CIM components.

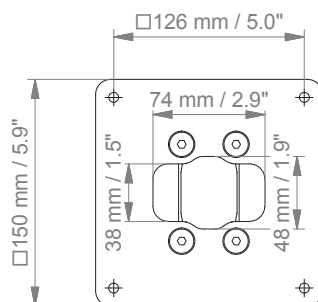
Besides the standard length of the column indicated below, individually required lengths are available on request.

Table column	L 800 mm / 31.5"
Floor plate	150 x 150 mm / 5.9 x 5.9", hole pattern 126 x 126 mm / 5 x 5"
Product weight	2.9 kg / 6.4 lbs
Part number	T-CTP-60.w1_800

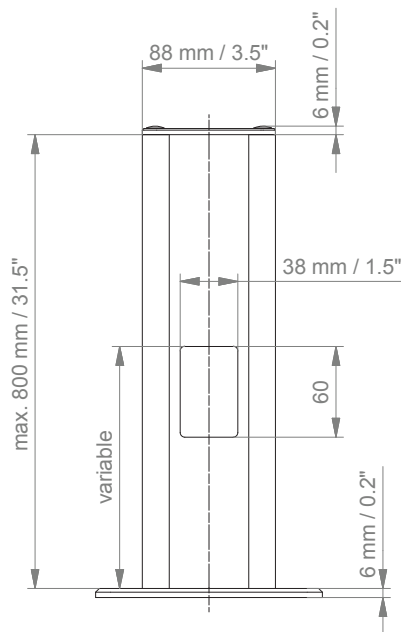
Table column / floor column

Technical data

TOP VIEW



SIDE VIEW



General notes

Custom-designed solutions and MRI applications

Please contact us for **custom-designed** solutions.

Product marking

All products which are classified as medical product risk class 1 are CE marked. As **medical product risk class 1** they are conform with the regulations (EU) 2017/745 (MDR) and IEC 60601-1. Other standards of the IEC 60601 series are not applicable to our products, regardless of their version.

MD A stand-alone product that is already classified as a medical product class 1 before being integrated into an overall medical device. The product is CE-marked. A declaration of conformity is available.

~~MD~~ Accessories or spare parts that have no independent function and are therefore not subject to the MDR. These products are not CE-marked. A declaration of conformity is not required.

Warranty

All CIM products have a 5-year warranty to be free of defects in material and functionality from the date of delivery.

How to find the right product for your needs?

No problem with our configurator

<https://cim-configurator.com>

