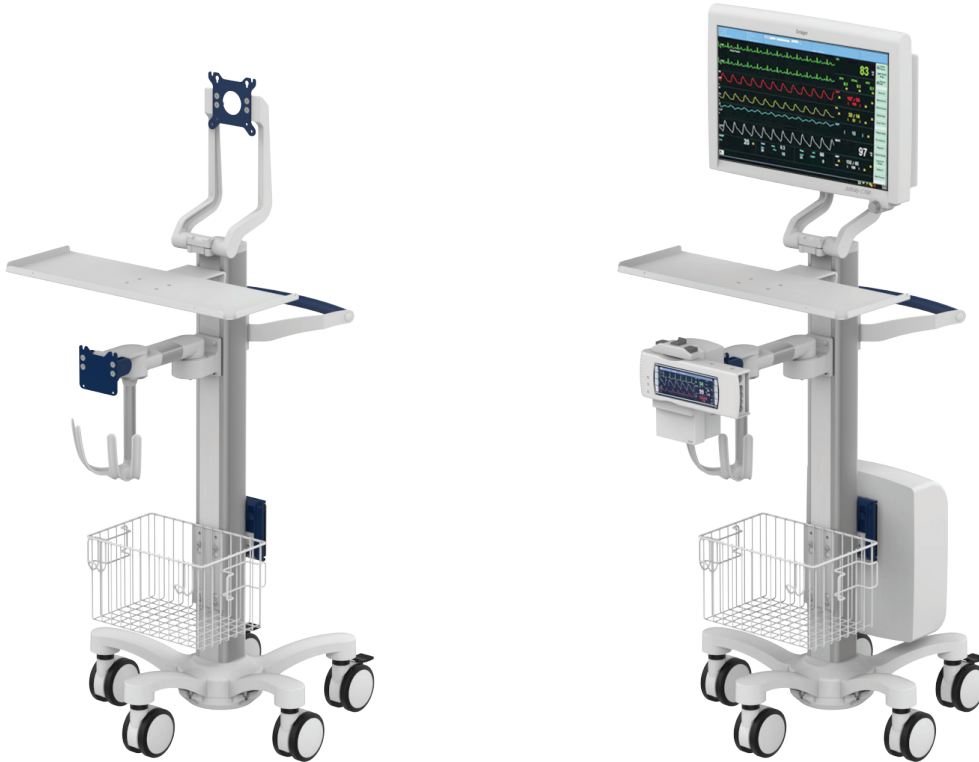


# Cart light duty kit with keyboard



**Monitor adaption**  
**CIM cart light duty**

CL-bracket, VESA 75/100 with tilt function  
5-star base aluminum base with counter weight  
(2) lockable and (3) non-lockable double wheel castors,  $\varnothing$  100 mm / 3.9"  
column to accept components and accessories on opposite sides

**Colours**

decorative parts      RAL 5013 cobalt blue  
base                      RAL 9016 traffic white  
handle                    RAL 5013 cobalt blue

**Maximum load capacity**

11.2 kg / 24.7 lbs

**Kit number**

**DR-002IACS-02.bl1\_65** keyboard tray 650 x 200 mm / 25.6" x 7.9" (W x D)  
**DR-002IACS-02.bl1\_58** keyboard tray 580 x 200 mm / 22.8" x 7.9" (W x D)  
**DR-002IACS-02.bl1\_50** keyboard tray 500 x 200 mm / 19.7" x 7.9" (W x D)  
**DR-002IACS-02.bl1\_40** keyboard tray 400 x 150 mm / 15.7" x 5.9" (W x D)  
**DR-002IACS-02.bl1\_30** keyboard tray 300 x 210 mm / 11.8" x 8.3" (W x D)  
**DR-002IACS-02.bl1\_RC** keyboard tray with retractable left/ right mouse tray  
480 x 220 mm / 18.9" x 8.7" (W x D), mouse tray 226 mm / 8.9"

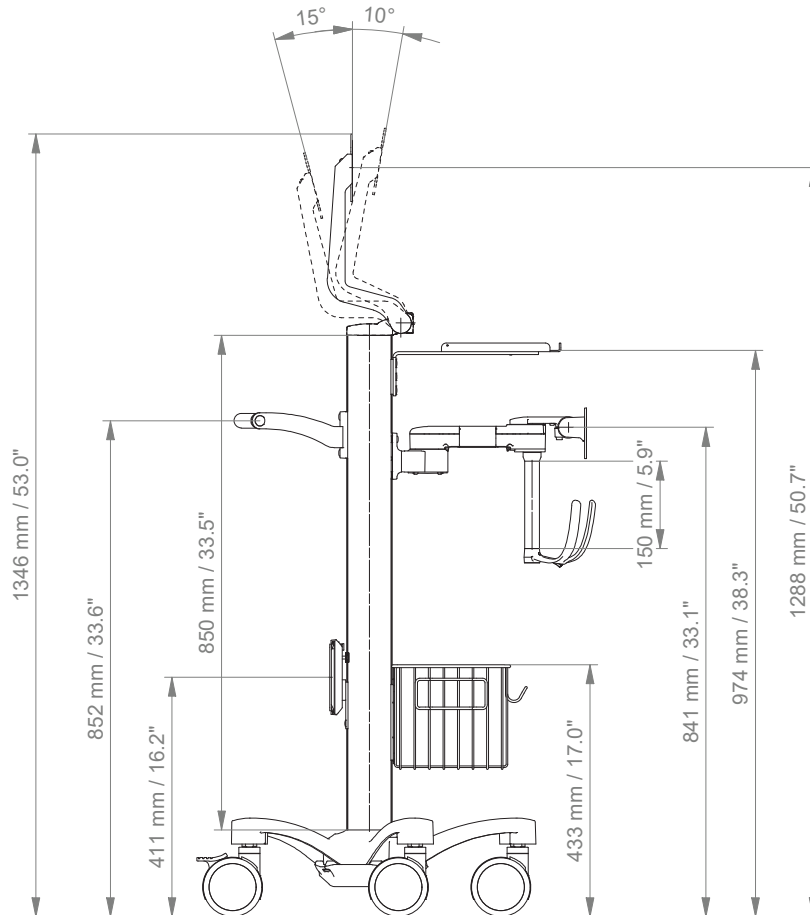
Consisting of the following parts:

R-002K.bl1                      cart light duty  
Z-HD-4.bl1                      handle for carts  
S-910C-4S.bl1                  flush mount for M500/M540 with VESA 75  
Z-KH6-71.1\_150                down post with cable hook  
Z-51-4Z.1                        basket 300 x 200 x 180 mm / 11.8 x 7.9 x 7.1"  
DR-PS250-4Z.bl1                5" plunge plate with adapter plate for Dräger PS250/2500

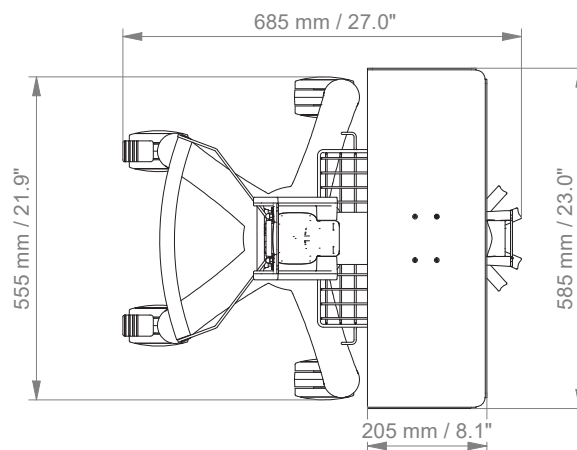
# Cart light duty kit with keyboard

## Technical data

### SIDE VIEW



### TOP VIEW



## General notes

### Monitor Adaptations

The monitor adaption VESA 75/100 quick release (Z-QR-G.D) offers tool-free disassembly of the monitor.

### Components' grounding

All arms with integrated cable management are equipped with **component grounding**. No grounding is required for arms with external or semi-integrated cable management with cables not being led through joints.

### Load capacity

All **height adjustable arms** have a load capacity of 22 kg / 48.5 lbs. Rear mounted monitor adaptations and horizontally mounted 5" plunge plates accept a maximum monitor weight of 18 kg / 39.7 lbs. An additional 4 kg / 8.8 lbs may be mounted on a down post underneath the front swivel part. Depending on material and tensile factor all weight indications have a 4-fold and/ or 6-fold safety factor according to IEC 60601-1 standards.

### Custom-designed solutions and MRI applications

Please contact us for **custom-designed** solutions.

### Product marking

All products which are classified as medical product risk class 1 are CE marked. As **medical product risk class 1** they are conform with the regulations (EU) 2017/745 (MDR) and IEC 60601-1. Other standards of the IEC 60601 series are not applicable to our products, regardless of their version.

### Warranty

All CIM products have a 5-year warranty to be free of defects in material and functionality from the date of delivery.

### Non-height adjustable arm

Pivot and extended pivot arms offer **full cable integration** and easy cleaning for **infection control** in all critical care areas in the clinical environment. Our **5-years warranty** guarantees reliable, trouble-free and maintenance-free operation. The swivel function at the fixing point as well as the **tilt/ swivel function** of the monitor adaptation offers optimum positioning of your device. The extended pivot arm is a two-part arm with central pivot point between the two arm sections. All bottom-mounted monitors have the safety feature of a **20° tilt stop**.

### Height adjustable arm

The height adjustable arm offers **full cable integration**, one-wipe clean surfaces and our **5-year warranty** on the entirety of the product. Vertically and horizontally adjustable, the arm offers optimal positioning of your device. A constant viewing angle when vertically adjusted is guaranteed by a parallel linkage.

### Weight-optimized springs counter-balance

the monitor without making any adjustments. All bottom-mounted monitors have the safety feature of a **20° tilt stop**. Individual rotational stops may be integrated in any joint.

To provide the perfect combination of arm and monitor, the CIM articulated height adjustable arm has a simple quarter-turn lock to hold the arm safely in position when removing the monitor. Furthermore the arm is equipped with the unique safety feature of a slow-release gas spring. Should anybody try to remove the monitor before locking the arm in position, the arm will only rise at a slow and even tempo.

SAFETY