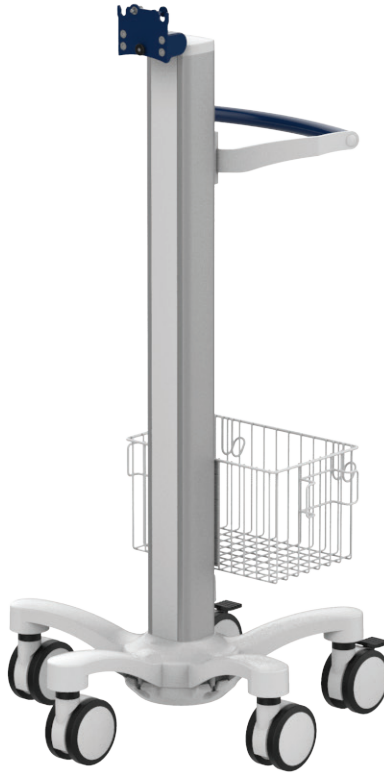


# Cart light duty qube

MD

## Example configuration



### Monitor adaption

quick release base plate

### Accessories

5-star base aluminum base with counter weight  
double wheel castors,  $\varnothing$  100 mm / 3.9", 2 lockable  
column to accept components and accessories on opposite sides

### Colours to choose **CD**

decorative parts	RAL 5013 cobalt blue / RAL 7024 graphite grey
base	RAL 9016 traffic white
handle	RAL 9016 traffic white / RAL 5013 cobalt blue / RAL 7024 graphite grey

### Max. load capacity

14 kg / 30.9 lbs

### Optional accessories

basket big 300 x 200 x 180 mm / 11.8 x 7.9 x 7.1"  
basket small 200 x 150 x 100 mm / 7.9 x 5.9 x 3.9"  
handle

### Part number

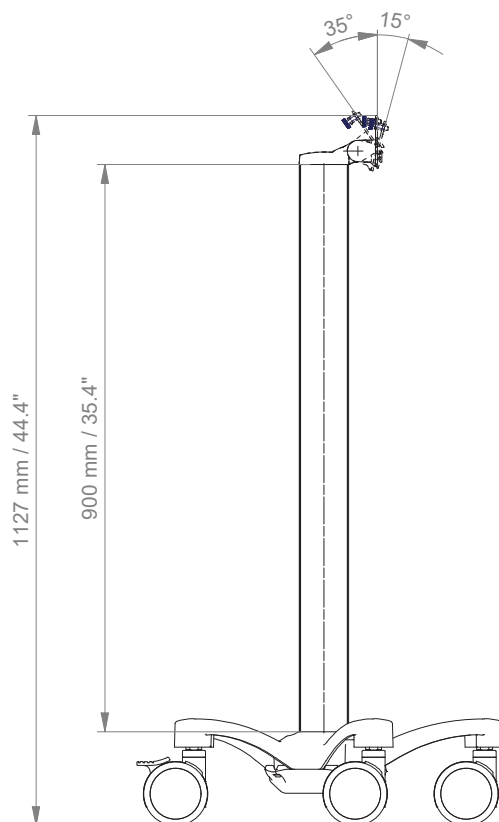
R-002Q. <b>CD</b>	cart light duty
Z-QR-C. <b>D</b>	quick release adapter plate VESA 75
Z-51-4Z.1	basket big
Z-52-4Z.1	basket small
Z-HD-4. <b>C1</b>	handle

# Cart light duty qube

## Technical data

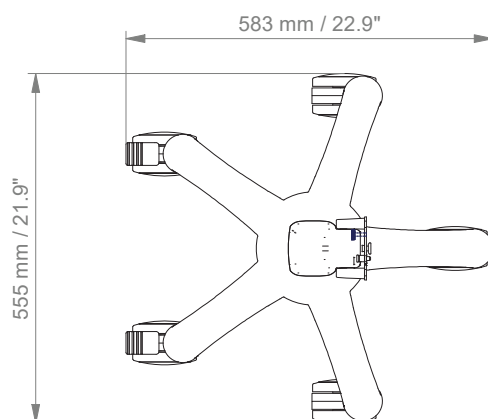
---

### SIDE VIEW



---

### TOP VIEW



## Adapter plates

### VESA 75 Quick release adapter plate (Z-QR-C.D)

The adapter plate shown is mounted to the rear side of the monitor's hole pattern 75 x 75 mm (2.9 x 2.9"). The quick release adapter plate has to be ordered separately.

Product weight: 0.2 kg / 0.4 lbs



### Mounting adapter VESA 75/100 for 5" plunge plate (Z-AP-G)

The 5" plunge plate is used for bottom-mounted monitors. The monitor-specific adapter plate, which is mounted underneath the monitor and slid into the 5" plunge plate, has to be ordered separately.

Product weight: 0.1 kg / 0.2 lbs



# How to create part numbers

Part numbers can be easily created by following the steps below:

Please replace the letters in **green** with the part no. code as per your requirements.

## 1. Components' grounding:

S	=	not grounded
A	=	grounded

## 2. Choose the arm version required:

910Q	=	flush mount qube
224Q / 230Q	=	support arm pivot qube
224A / 230A	=	support arm pivot qube with docking station
33030Q	=	extended pivot arm light duty qube
33030A	=	extended pivot arm light duty qube with docking station
431Q	=	height adjustable arm qube
431A	=	height adjustable arm qube with docking station
73130Q	=	extended height adjustable arm qube
73130A	=	extended height adjustable arm qube with docking station

## 3. Specify where you want to mount the arm and select the fixing (Y):

1V	=	pole ø 23 - 40 mm / 0.9 - 1.6"
1	=	pole ø 25 mm / 1.0"
1B	=	pole ø 30 mm / 1.2"
1F	=	pole ø 35 mm / 1.4"
1C	=	pole ø 38 mm / 1.5"
2F	=	horizontal rails 10 x 25, 8 x 35, 10 x 30, 10 x 50 mm
3	=	vertical rail 10 x 25 mm
4S	=	vertical wall channel
9	=	Löwenstein Medical / ITD / mounting channel
13	=	Mindray medical supply units
17	=	Amico pendants & headwalls
19	=	Dräger Ambia pendants & headwalls

## How to create part numbers

---

### 4. Choose the colour requested for decorative parts (C):

gr = RAL 7024 (graphite grey)  
 bl = RAL 5013 (cobalt blue)

### 5. Choose the colour requested for the aluminium die-cast parts (D):

1 = RAL 9016 (traffic white)  
 2 = RAL 9002 (grey white)

### 6. Specify the spring depending on the weight of your monitor/ device - only with height adjustable arms (X):

95 = 4 - 9 kg / 8.8 - 19.8 lbs

## Example

01 Grounding		02 Arm version		03 Fixing		04 & 05 Colour		06 Spring tension
A	-	431Q	-	Y	.	CD	-	X
A	-	431Q	-	4S	.	gr1	-	95

## General notes

---

### Monitor Adaptations

The quick release monitor adaptation with adapter plate for VESA 75/75 (part no. Z-QR-C.D) allows a quick change of the monitor. Please note that the quick release adapter plate has to be ordered separately.

The 5" plunge plate is used for bottom-mounted monitors. A monitor-specific adapter plate (part no. Z-AP-G), which is mounted underneath the monitor and slid into the 5" plunge plate, has to be ordered separately.

### Components' grounding

All arms with integrated cable management are equipped with **component grounding**. No grounding is required for arms with external or semi-integrated cable management with cables not being led through joints.

### Load capacity

All **height adjustable arms** have a load capacity of 22 kg / 48.5 lbs. Rear mounted monitor adaptations and horizontally mounted 5" plunge plates accept a maximum monitor weight of 18 kg / 39.7 lbs. An additional 4 kg / 8.8 lbs may be mounted on a down post underneath the front swivel part. Depending on material and tensile factor all weight indications have a 4-fold and/ or 6-fold safety factor according to IEC 60601-1 standards.

### Custom-designed solutions and MRI applications

Please contact us for **custom-designed** solutions.

### Product marking

All products which are classified as medical product risk class 1 are CE marked. As **medical product risk class 1** they are conform with the regulations (EU) 2017/745 (MDR) and IEC 60601-1. Other standards of the IEC 60601 series are not applicable to our products, regardless of their version.

**MD** A stand-alone product that is already classified as a medical product class 1 before being integrated into an overall medical device. The product is CE-marked. A declaration of conformity is available.

~~MD~~ Accessories or spare parts that have no independent function and are therefore not subject to the MDR. These products are not CE-marked. A declaration of conformity is not required.

### Warranty

All CIM products have a 5-year warranty to be free of defects in material and functionality from the date of delivery.

---

## How to find the right product for your needs?

No problem with our configurator

<https://cim-configurator.com>

