

# Counter top

MD



**Monitor adaption**

quick release base plate

**Colours to choose** CD

decorative parts    RAL 5013 cobalt blue / RAL 7024 graphite grey  
 aluminum parts    RAL 9016 traffic white / RAL 9002 grey white

**Max. load monitor adaptation**

18 kg / 39.7 lbs

**Part number**

Counter top with base plate to mount to desk or even surfaces

- T-HQ-60.CD\_220    height: 220 mm / 8.7"
- T-HQ-60.CD\_280    height: 280 mm / 11"
- T-HQ-60.CD\_340    height: 340 mm / 13.4"

Counter top free-standing (see illustration)

- T-HQ-62.CD\_220    height: 220 mm / 8.7"
- T-HQ-62.CD\_280    height: 280 mm / 11"
- T-HQ-62.CD\_340    height: 340 mm / 13.4"

Counter top without base plate

- T-HQ-69.CD\_220    height: 220 mm / 8.7"
- T-HQ-69.CD\_280    height: 280 mm / 11"
- T-HQ-69.CD\_340    height: 340 mm / 13.4"

Quick release adapter plate

- Z-QR-C.D            VESA 75
- Z-QR-G.D            VESA 75/100

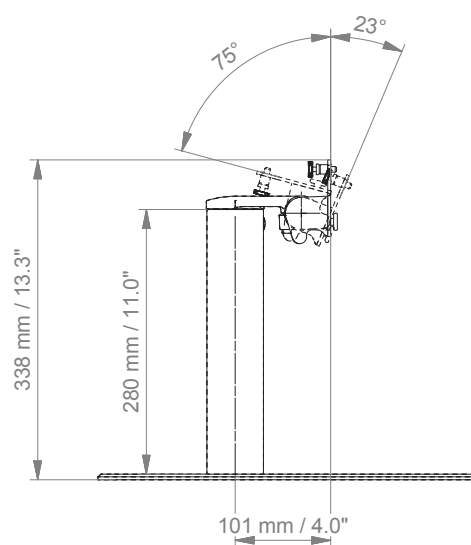
All free-standing counter tops have to be tip-tested for stability depending on the weight of the monitor!



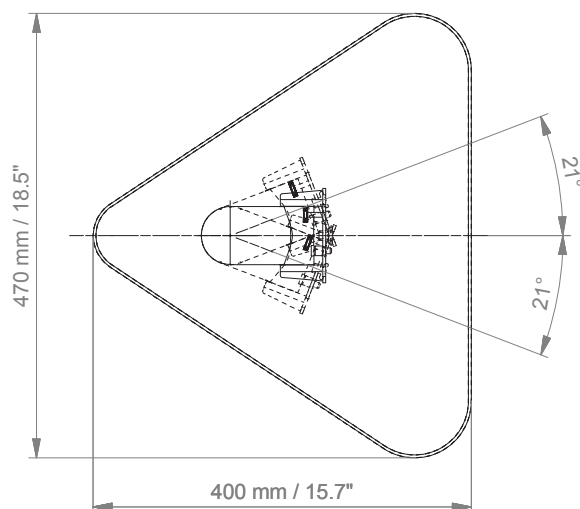
# Counter top

Technical data – free-standing

SIDE VIEW



TOP VIEW



## Quick release adapter plate VESA

### VESA 75 Quick release adapter plate (Z-QR-C.D)

The adapter plate shown is mounted to the rear side of the monitor's hole pattern 75 x 75 mm (2.9 x 2.9"). The quick release adapter plate has to be ordered separately.

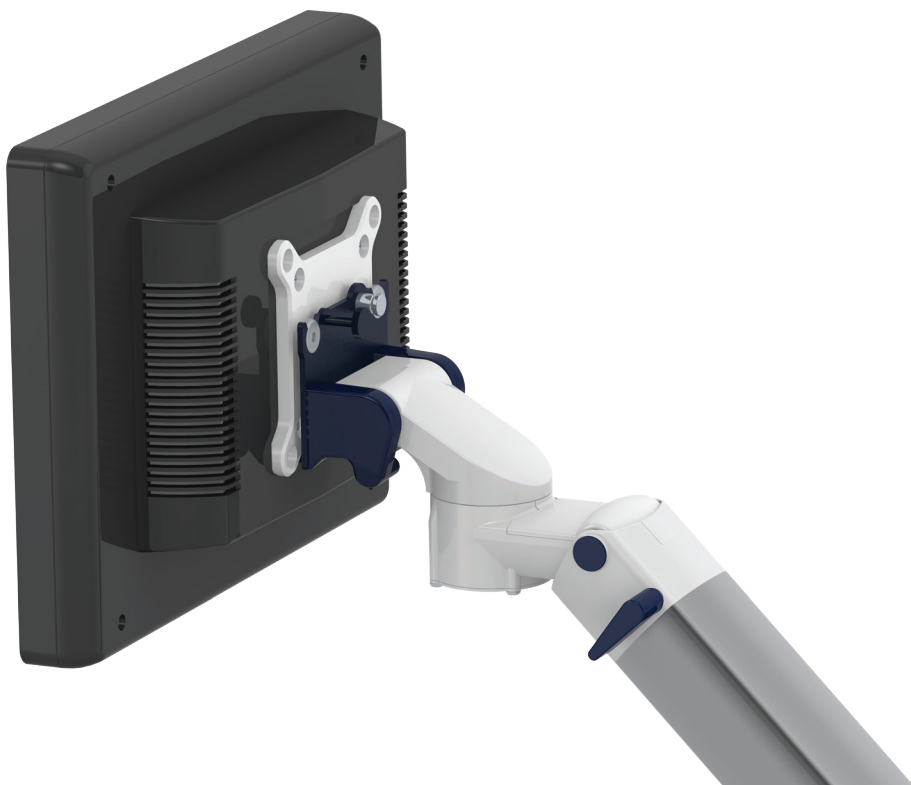
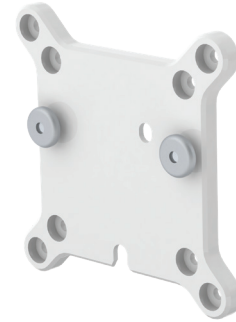
Product weight: 0.2 kg / 0.4 lbs



### VESA 75/ 100 Quick release adapter plate (Z-QR-G.D)

The adapter plate shown is mounted to the rear side of the monitor using either the 75 x 75 mm (2.9 x 2.9") or 100 x 100 mm (3.9 x 3.9") hole pattern. The quick release adapter plate has to be ordered separately.

Product weight: 0.2 kg / 0.4 lbs



# How to create part numbers

Part numbers can be easily created by following the steps below:

Please replace the letters in **green** with the part no. code as per your requirements.

## 1. Components' grounding:

S	=	not grounded
A	=	grounded

## 2. Choose the arm version required:

910Q	=	flush mount
224Q / 230Q	=	support arm pivot
33030Q	=	extended pivot arm light duty
H33030Q	=	extended pivot arm heavy duty
431Q	=	height adjustable arm
73130Q	=	extended height adjustable arm
531Q	=	high position height adjustable arm
83130Q	=	extended high position height adjustable arm

## 3. Specify where you want to mount the arm and select the fixing (Y):

1V	=	pole ø 23 - 40 mm / 0.9 - 1.6"
1	=	pole ø 25 mm / 1.0"
1B	=	pole ø 30 mm / 1.2"
1F	=	pole ø 35 mm / 1.4"
1C	=	pole ø 38 mm / 1.5"
2F	=	horizontal rails 10 x 25, 8 x 35, 10 x 30, 10 x 50 mm
3	=	vertical rail 10 x 25 mm
4S	=	vertical wall channel
9	=	Löwenstein Medical / ITD / mounting channel
13	=	Mindray medical supply units
17	=	Amico pendants & headwalls
19	=	Dräger Ambia pendants & headwalls

## How to create part numbers

---

### 4. Choose the colour requested for decorative parts (C):

gr = RAL 7024 (graphite grey)  
 bl = RAL 5013 (cobalt blue)

### 5. Choose the colour requested for the aluminium die-cast parts (D):

1 = RAL 9016 (traffic white)  
 2 = RAL 9002 (grey white)

### 6. Specify the spring depending on the weight of your monitor/ device - only with height adjustable arms (X):

60 = 2 - 5 kg / 4.4 - 11 lbs  
 95 = 4 - 9 kg / 8.8 - 19.8 lbs  
 110 = 4.5 - 12.5 kg / 9.9 - 27.6 lbs  
 130 = 7.5 - 13 kg / 16.5 - 28.7 lbs  
 160 = 12.5 - 19 kg / 27.6 - 41.9 lbs  
 175 = 13 - 16 kg / 28.7 - 35.3 lbs  
 220 = 16 - 22 kg / 35.3 - 48.5 lbs

---

## Example

01 Grounding	02 Arm version	03 Fixing	04 & 05 Colour	06 Spring tension
A	- 431Q	- Y	. CD	- X
A	- 431Q	- 4S	. gr1	- 95

## General notes

---

### Monitor Adaptations

The quick release monitor adaptation with adapter plate for VESA 75/75 (part no. Z-QR-C) or VESA 75/100 (part no. Z-QR-G) allows a quick change of the monitor. Please note that the quick release adapter plate has to be ordered separately.

Mounting solutions for monitors with VESA 75/100 without quick release can be found in our catalogue VESA 75/100 adaptation.

### Components' grounding

All arms with integrated cable management are equipped with **component grounding**. No grounding is required for arms with external or semi-integrated cable management with cables not being led through joints.

### Load capacity

All **height adjustable arms** have a load capacity of 22 kg / 48.5 lbs. Rear mounted monitor adaptations and horizontally mounted 5" plunge plates accept a maximum monitor weight of 18 kg / 39.7 lbs. An additional 4 kg / 8.8 lbs may be mounted on a down post underneath the front swivel part. Depending on material and tensile factor all weight indications have a 4-fold and/ or 6-fold safety factor according to IEC 60601-1 standards.

### Custom-designed solutions and MRI applications

Please contact us for **custom-designed** solutions.

### Product marking

All products which are classified as medical product risk class 1 are CE marked. As **medical product risk class 1** they are conform with the regulations (EU) 2017/745 (MDR) and IEC 60601-1. Other standards of the IEC 60601 series are not applicable to our products, regardless of their version.

**MD** A stand-alone product that is already classified as a medical product class 1 before being integrated into an overall medical device. The product is CE-marked. A declaration of conformity is available.

~~MD~~ Accessories or spare parts that have no independent function and are therefore not subject to the MDR. These products are not CE-marked. A declaration of conformity is not required.

### Warranty

All CIM products have a 5-year warranty to be free of defects in material and functionality from the date of delivery.

---

## How to find the right product for your needs?

No problem with our configurator

<https://cim-configurator.com>

