



ROBUST. RELIABLE. SAFE.

Carts

Basic, Light or Heavy - mobile systems designed to meet every application.



Content

General notes	2
How to create part numbers	3
Monitor presentation	4
Accessories	5
Basic mobile stand	6
Cart light duty	11
Cart heavy duty	16

General notes

Custom-designed solutions and MRI applications

Please contact us for **custom-designed** solutions.

Product marking

All products which are classified as medical product risk class 1 are CE marked. As **medical product risk class 1** they are conform with the regulations (EU) 2017/745 (MDR) and IEC 60601-1. Other standards of the IEC 60601 series are not applicable to our products, regardless of their version.

MD A stand-alone product that is already classified as a medical product class 1 before being integrated into an overall medical device. The product is CE-marked. A declaration of conformity is available.

~~**MD**~~ Accessories or spare parts that have no independent function and are therefore not subject to the MDR. These products are not CE-marked. A declaration of conformity is not required.

Warranty

All CIM products have a 5-year warranty to be free of defects in material and functionality from the date of delivery.

How to create part numbers

Part numbers can be easily created by following the steps below:

Please replace the letters in **green** with the part no. code as per your requirements.

1. Product range

R = Carts

2. Choose the cart version required:

001 = Cart heavy duty
 002 = Cart light duty
 003 = Basic mobile stand

3. Choose your preferred monitor mount : (B)

A = Generic 5" plunge plate
 FK = Fukuda mounting plate
 G = VESA 75/100
 K = VESA 75/100 with CL-bracket
 KQ = VESA quick release with CL-bracket
 PH = Adapter for Philips table top mount
 Q = VESA quick release
 TN = Notebook tray

4. Choose the colour requested for decorative parts (C):

gr = RAL 7024 (graphite grey)
 bl = RAL 5013 (cobalt blue)

5. Colour for the aluminium die-cast parts:

1 = RAL 9016 (traffic white)

Example

01 Product range		02 & 03 Version & Monitor mount		04 & 05 Colour
R	-	000B	.	C1
R	-	002K	.	gr1

Monitor presentation B



Part no. (B)	Monitor presentation		Basic mobile stand	Cart light duty	Cart heavy duty
A	Generic 5" plunge plate		✓	✓	✓
FK	Fukuda mounting plate		✓	✓	✓
G	VESA 75/100		✓	✓	✓
K	VESA 75/100 with CL-bracket		✗	✓	✓
KQ	VESA quick release with CL-bracket		✗	✓	✓
PH	Philips table top mount		✓	✓	✓
Q	VESA quick release		✗	✓	✓
TN	Notebook tray		✗	✓	✓

Accessories



		Basic mobile stand	Cart light duty	Cart heavy duty
Support arm		✗	✗	✓
Drawer		✗	✗	✓
Keyboard tray (Fig.) HPL tray		✗ ✗	✓ ✗	✓ ✓
Support arm for infusion pump mount		✗	✗	✓
Basket small Basket medium Basket big		✓ ✓ ✗	✓ ✓ ✓	✓ ✓ ✓
Dual cable hook (Fig.) Triple cable hook		✓ ✓	✓ ✓	✓ ✓
Universal clamp (Fig.) CPU clamp		✗ ✗	✓ ✗	✓ ✓
European rail		✗	✗	✓
Power supply enclosure (Fig.) Power supply holster		✗ ✗	✓ ✓	✓ ✓
Handle		✓	✓	✓
Bottle holder		✗	✗	✓
Mounting solution for barcode scanner		✗	✗	✓

Basic mobile stand

MOBILE SOLUTION FOR SIMPLE APPLICATIONS

MD

Compact, easy to manoeuvre and reliable: The Basic mobile stand is the ideal solution for every use when just one device is required. Designed for effortless and smooth handling, it excels in clinical use while offering excellent cleanability. Proven safety and backed up by a 5-year warranty, it stands for lasting quality and durability.

KEY FEATURES

- + Smooth surfaces for improved infection prevention**
Smooth, easy-to-clean surfaces without crevices
- + Easy to move**
Effortless manoeuvrability, even in confined spaces
- + Designed for everyday clinical use**
Ideal for single-device applications
- + Smooth surfaces for improved infection prevention**
Smooth, easy-to-clean surfaces without crevices
- + Load capacity**
Monitor mount suitable for devices up to 8 kg / 2.2 lbs
- + Standard features**
Aluminium handle, four castors (ø100 mm / 3.9"), two lockable
- + Tested safety**
Compliant with MDR (EU 2017/745, Class I) and IEC 60601-1

PART NUMBER

R-003B.C1 Basic mobile stand



Basic mobile stand

FEATURES

MONITOR PRESENTATION

Which monitor would you like to mount?

CIM med offers solutions compatible with all manufacturers of medical devices and monitors.



A

Generic 5" plunge plate



G

VESA 75/100



FK

Fukuda mounting plate



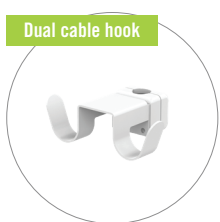
PH

Philips table top mount

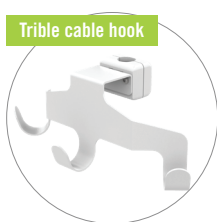
ACCESSORIES

Which accessories do you require for your cart?

An aluminium handle is included as standard, with additional accessories available to suit your needs.



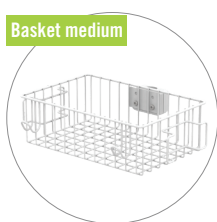
Dual cable hook



Triple cable hook



Basket small

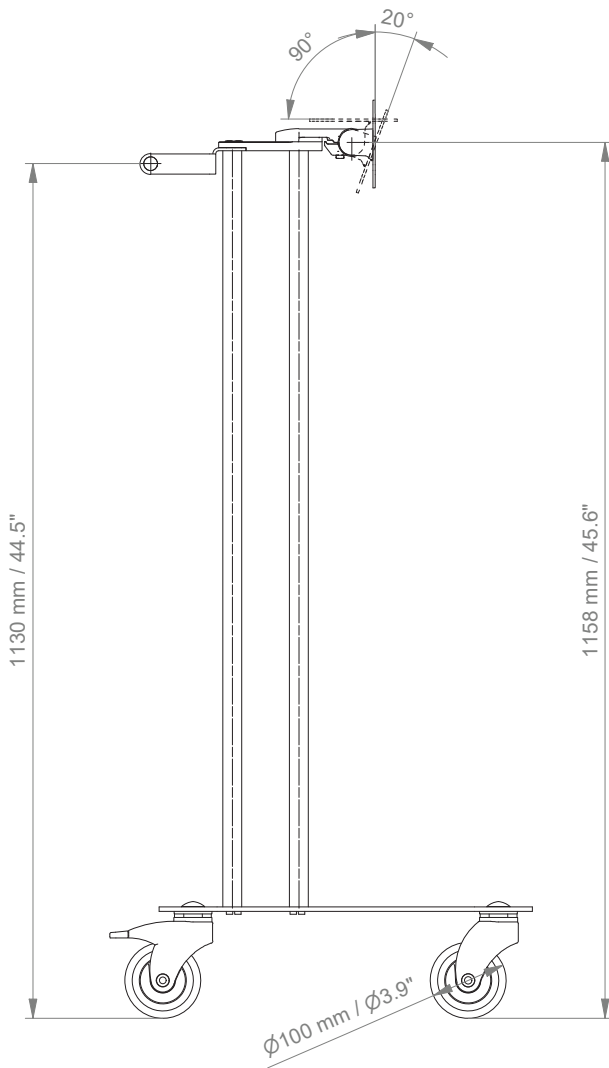


Basket medium

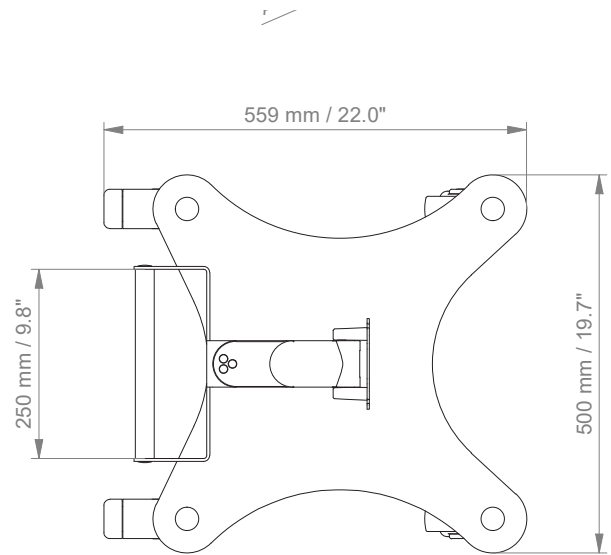
Basic mobile stand

TECHNICAL DATA - VESA 75/100

SIDE VIEW



TOP VIEW



Basic mobile stand

CONFIGURATIONS – EXAMPLES



Example 01

R-003A.b11 Basic mobile stand with 5" plunge plate including handle, 4 castors - 2 lockable, 2 poles $\varnothing 25 / 1.0"$ for mounting components and accessories

Z-52-1.1 Basket small with fixed pole clamp



Example 02

R-003G.b11 Basic mobile stand with VESA 75/100 including handle, 4 castors - 2 lockable, 2 poles $\varnothing 25 / 1.0"$ for mounting components and accessories

Z-KH2-1.1 Dual cable hook with fixed pole clamp

Z-53-1.1 Basket medium with fixed pole clamp

Basic mobile stand

CONFIGURATIONS – EXAMPLES



Example 03

- R-003PH.bl1 Basic mobile stand prepared to accept Philips table top mount including handle, 4 castors - 2 lockable, 2 poles $\varnothing 25 / 1.0''$ for mounting components and accessories
- Z-KH3-1.1 Triple cable hook with fixed pole clamp



Example 04

- R-003FK.bl1 Basic mobile stand with Fukuda mounting plate including handle, 4 castors - 2 lockable, 2 poles $\varnothing 25 / 1.0''$ for mounting components and accessories
- Z-KH3-1.1 Triple cable hook with fixed pole clamp
- Z-53-1.1 Basket medium with fixed pole clamp

Cart light duty

MOBILE SOLUTION FOR LIGHTWEIGHT APPLICATIONS

MD

Engineered for frequent daily use, this cart combines a robust construction with smooth, safe manoeuvrability. Its easy-to-clean design ensures improved infection prevention, while a 5-year warranty underlines its reliability and long-lasting quality.

KEY FEATURES

- + Smooth surfaces for improved infection prevention**
Smooth, easy-to-clean surfaces without crevices
- + Flexible positioning**
Medical devices and accessories can be positioned quickly and securely
- + Designed for everyday clinical use**
Long-lasting reliability
- + High load capacity**
Monitor mount suitable for devices up to 14 kg / 30.9 lbs
- + Effortless manoeuvrability**
Easy to move, even in confined spaces
- + Secure positioning**
Lockable double wheel castors to ensure stability
- + Tested safety**
Compliant with MDR (EU 2017/745, Class I) and IEC 60601-1
- + Integrated cable management**
To meet increasing hygiene and aesthetic requirements in medical environments

PART NUMBER

R-002B.C1 Cart light duty



Cart light duty

FEATURES

MONITOR PRESENTATION

Which monitor would you like to mount?

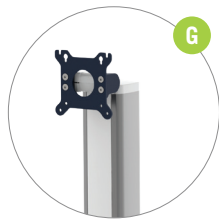
CIM med offers solutions compatible with all manufacturers of medical devices and monitors.



Generic 5" plunge plate



Fukuda mounting plate



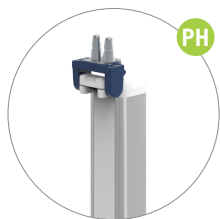
VESA 75/100



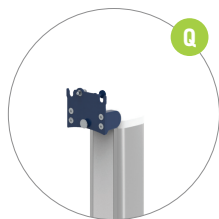
VESA 75/100 with CL-bracket



VESA quick release with CL-bracket



Philips table top mount



VESA quick release



Notebook tray

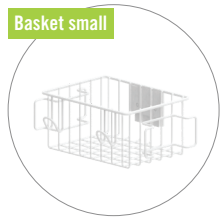
ACCESSORIES

Which accessories do you require for your cart?

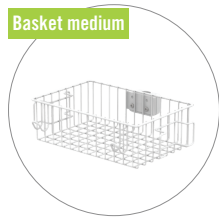
A wide range of accessories allows for an optimised, tailored configuration.



Keyboard tray



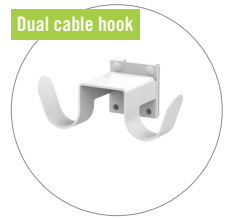
Basket small



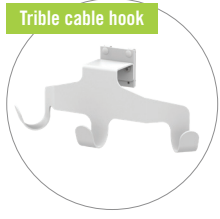
Basket medium



Basket big



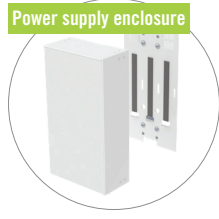
Dual cable hook



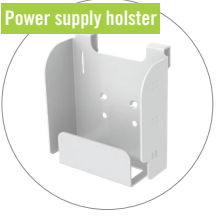
Triple cable hook



Universal clamp



Power supply enclosure



Power supply holster

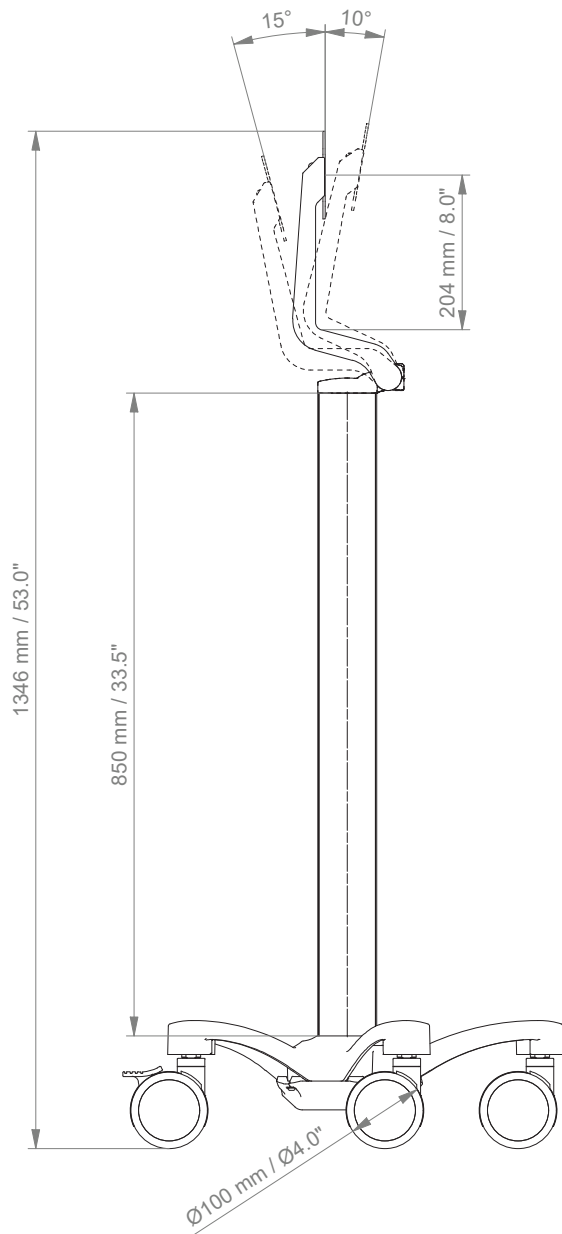


Handle

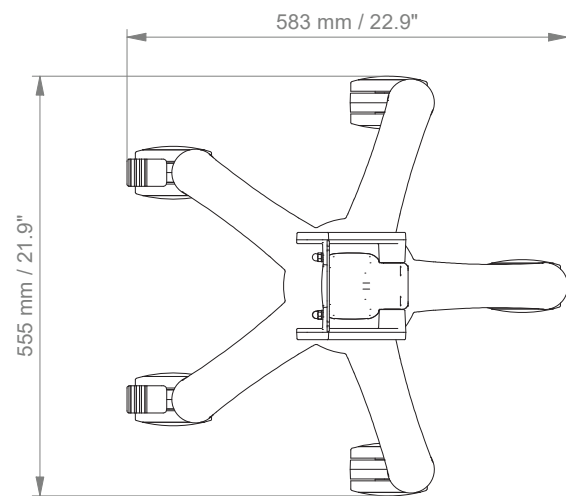
Cart light duty

TECHNICAL DATA - VESA 75/100 WITH CL-BRACKET

SIDE VIEW



TOP VIEW



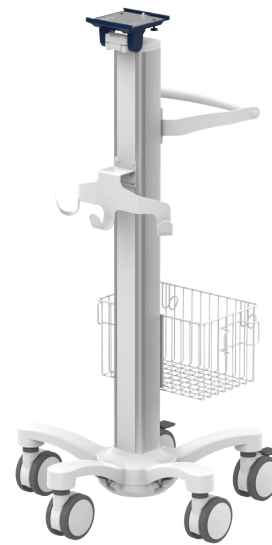
Cart light duty

CONFIGURATIONS – EXAMPLES



Example 01

- R-002K.b11 Cart light duty with CL-bracket and VESA 75/100, 5-star aluminum base with counter weight, 5 double wheel castors, 2 lockable, column to accept components and accessories on opposite sides
- Z-HD-4.w1 Handle with adapter for vertical wall channel
- Z-EF-4S.b11_58S Keyboard tray 580 x 200 mm / 22.8 x 7.9", magnetic, with fold-up function, with adapter for vertical wall channel
- Z-PS3-4Z.1 Power supply enclosure triple, 255 x 165 x 85 mm / 10 x 6.5 x 3.4", with adapter for vertical wall channel

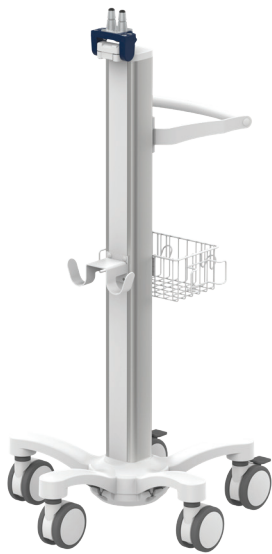


Example 02

- R-002A.b11 Cart light duty with 5" plunge plate, 5-star aluminum base with counter weight, 5 double wheel castors, 2 lockable, column to accept components and accessories on opposite sides
- Z-HD-4.w1 Handle with adapter for vertical wall channel
- Z-KH3-4Z.1 Triple cable hook with adapter for vertical wall channel
- Z-51-4Z.1 Basket big with adapter for vertical wall channel

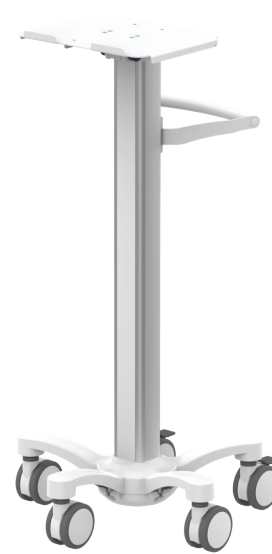
Cart light duty

CONFIGURATIONS – EXAMPLES



Example 03

- R-002PH.b11 Cart light duty prepared to accept Philips table top mount, 5-star aluminum base with counter weight, 5 double wheel castors, 2 lockable, column to accept components and accessories on opposite sides
- Z-HD-4.w1 Handle with adapter for vertical wall channel
- Z-KH2-4Z.1 Dual cable hook with adapter for vertical wall channel
- Z-52-4Z.1 Basket small with adapter for vertical wall channel



Example 04

- R-002TN.b11 Cart light duty with notebook tray 360 x 280 mm / 14.2 x 11", 5-star aluminum base with counter weight, 5 double wheel castors, 2 lockable, column to accept components and accessories on opposite sides
- Z-HD-4.w1 Handle with adapter for vertical wall channel

Cart heavy duty

MOBILE SOLUTION FOR CUSTOMISED APPLICATIONS

MD

We are happy to configure a cart tailored to your specific requirements. A comprehensive range of accessories is available to create the ideal setup. Even with bespoke solutions, all systems are thoroughly tested and fully compliant with IEC 60601-1 standards.

KEY FEATURES

- + Smooth surfaces for improved infection prevention**
Smooth, easy-to-clean surfaces without crevices
- + Modularity for utmost flexibility**
Flexible, versatile configurations tailored to specific applications
- + Load capacity**
Monitor mount suitable for devices up to 18 kg / 39.7 lbs
- + Secure positioning**
Lockable double wheel castors ensure stability
- + Tested safety**
Compliant with MDR (EU 2017/745, Class I) and IEC 60601-1
- + Integrated cable management**
To meet increasing hygiene and aesthetic requirements in medical environments

PART NUMBER

R-003B.C1 Cart heavy duty



Cart heavy duty

FEATURES

MONITOR PRESENTATION

Which monitor would you like to mount?

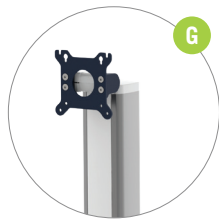
CIM med offers solutions compatible with all manufacturers of medical devices and monitors.



Generic 5" plunge plate



Fukuda mounting plate



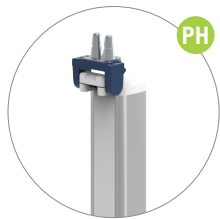
VESA 75/100



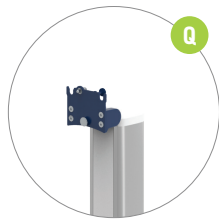
VESA 75/100 with CL-bracket



VESA quick release with CL-bracket



Philips table top mount



VESA quick release

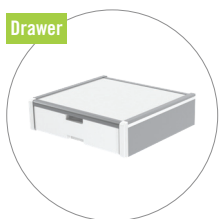


Notebook tray

ACCESSORIES

Which accessories do you require for your cart?

A comprehensive range of accessories for customising your cart to your exact requirements.



Drawer



HPL Tray



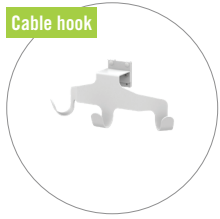
Infusion pump mount



Basket



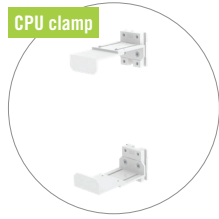
Support arm



Cable hook



Universal clamp



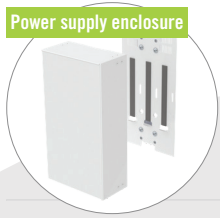
CPU clamp



DIN rail



Keyboard tray



Power supply enclosure



Power supply holster



Handle



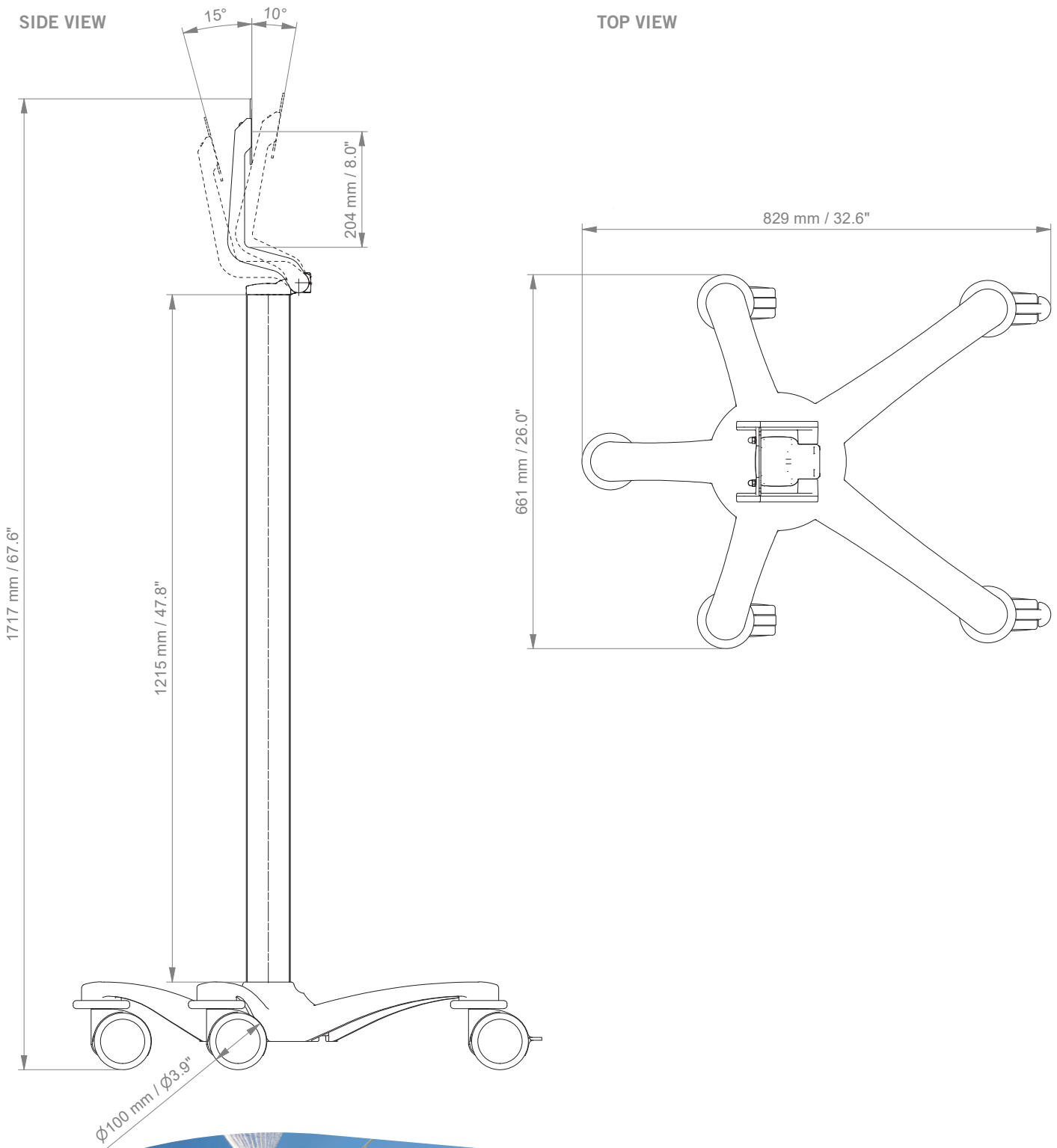
Bottle holder



Mounting solution for barcode scanner

Cart heavy duty

TECHNICAL DATA - VESA 75/100 WITH CL-BRACKET



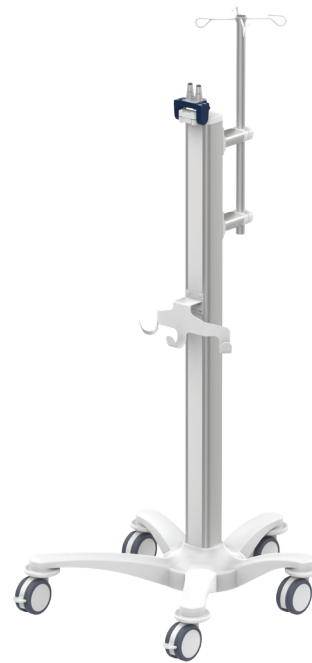
Cart heavy duty

CONFIGURATIONS – EXAMPLES



Example 01

- R-001K.bl1 Cart heavy duty with CL-bracket and VESA 75/100, 5-star cast iron base with counter weight, 5 double wheel castors, 2 lockable, column to accept components and accessories on opposite sides
- Z-HD-4.w1 Handle with adapter for vertical wall channel
- Z-EF-4S.bl1_RC Keyboard tray 480 x 220 mm / 18.9 x 8.7", magnetic, with fold-up function and left/ right retractable mouse tray, with adapter for vertical wall channel
- Z-HPL-4Z.1 HPL tray, 450 x 450 x 12 mm / 17.7 x 17.7 x 0.5", with adapter for vertical wall channel

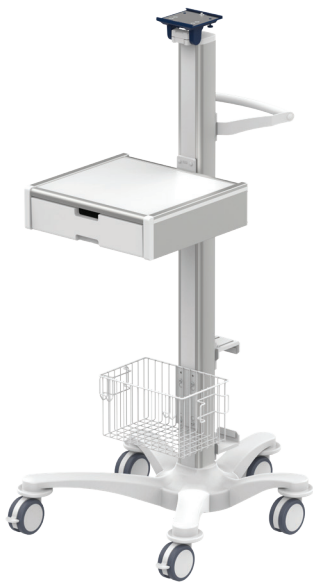


Example 02

- R-001A.bl1 Cart heavy duty prepared to accept Philips table top mount, 5-star cast iron base with counter weight, 5 double wheel castors, 2 lockable, column to accept components and accessories on opposite sides
- Z-224RR-4S.1 2x pivot arm for infusion pump mount, armtype 240
- Z-IF6_600 Infusion pole \varnothing 25 mm / 1" with infusion bag hooks, 600 mm / 23.6" pole length
- Z-KH3-4Z.1 Triple cable hook with adapter for vertical wall channel

Cart heavy duty

CONFIGURATIONS – EXAMPLES



Example 03

- R-001G.bl1 Cart heavy duty with 5" plunge plate, 5-star cast iron base with counter weight, 5 double wheel castors, 2 lockable, column to accept components and accessories on opposite sides
- Z-HD-4.w1 Handle with adapter for vertical wall channel
- Z-SLK-4V.w1 Drawer 440 x 413 x 120 mm / 17.3 x 16.3 x 4.7" with adapter for vertical wall channel
- Z-51-4Z.1 Basket big with adapter for vertical wall channel



Example 04

- R-001TN.bl1 Cart heavy duty with notebook tray 360 x 280 mm / 14.2 x 11.0" 5-star cast iron base with counter weight, 5 double wheel castors, 2 lockable, column to accept components and accessories on opposite sides
- Z-HD-4.w1 Handle with adapter for vertical wall channel
- Z-KH2-4Z.1 Dual cable hook with adapter for vertical wall channel
- Z-NS-4Z.1_300 European rail 10 x 25 x 300 mm / length 11.8" with adapter for vertical wall channel
- Z-51-4Z.1 Basket big with adapter for vertical wall channel



CIM med GmbH

Euro-Industriepark
Margot-Kalinke-Str. 9
80939 Munich / Germany

T +49 89. 978 94 08-0

CIM med Inc.

University Executive Park
301 McCullough Drive, Suite 400
Charlotte NC, 28262 / USA

T +1 704 221 0721

info@cim-med.com
www.cim-med.com

