

Cart light duty kit I



Monitor adaption
CIM cart light duty

CL-bracket, VESA 75/100 with tilt function
5-star base aluminum base with counter weight
(2) lockable and (3) non-lockable double wheel castors, \varnothing 100 mm / 3.9”
column to accept components and accessories on opposite sides

Colours

decorative parts RAL 5013 cobalt blue
base RAL 9016 traffic white
handle RAL 5013 cobalt blue

Maximum load capacity

11.2 kg / 24.7 lbs

Kit number

DR-002IACS-01.bl1

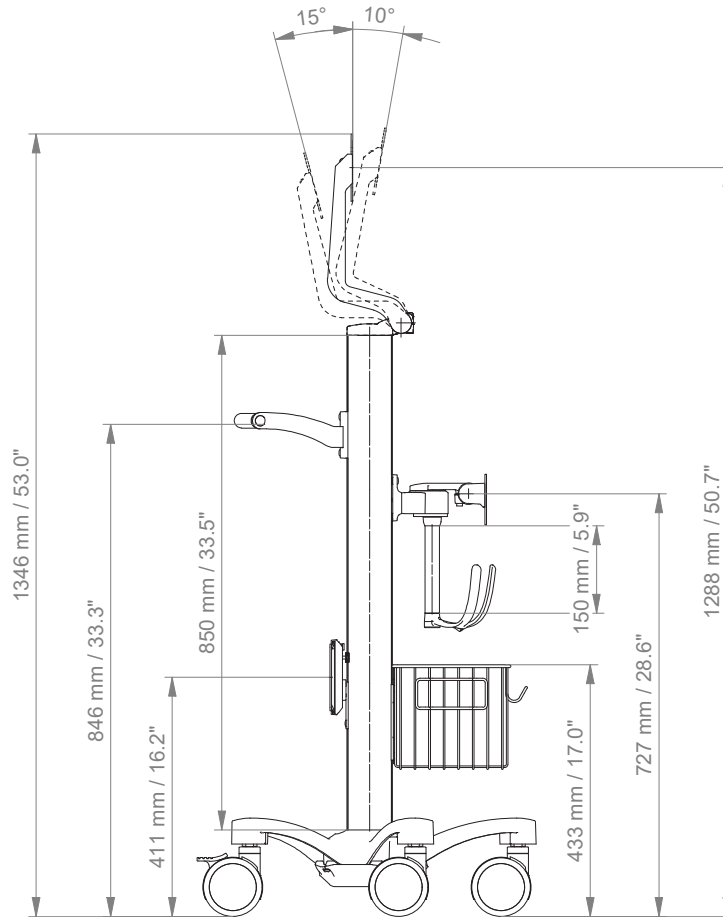
Consisting of the following parts:

- R-002K.bl1 cart light duty
- Z-HD-4.bl1 handle for carts
- S-910C-4S.bl1 flush mount for M500/M540 with VESA 75
- Z-KH6-71.1_150 down post with cable hook
- Z-51-4Z.1 basket 300 x 200 x 180 mm / 11.8 x 7.9 x 7.1”
- DR-PS250-4Z.bl1 5” plunge plate with adapter plate for Dräger PS250/2500

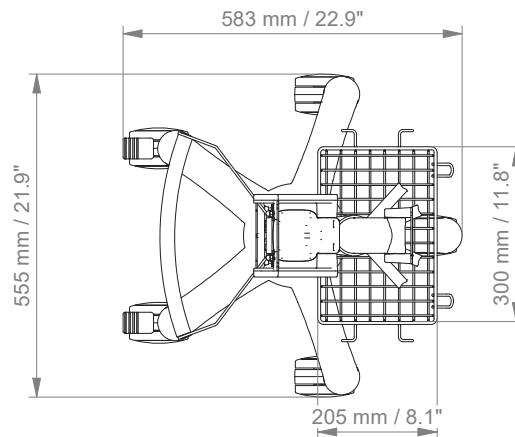
Cart light duty kit I

Technical data

SIDE VIEW



TOP VIEW



Product weight

Part No.	Description	Weight
A-431F-4S_130_30	Height adjustable arm with W-bracket and keyboard tray 300 x 210 mm	30: 6.0 kg / 13.2 lbs
A-431F-4S_130_40	Height adjustable arm with W-bracket and keyboard tray 400 x 150 mm	40: 5.9 kg / 13.0 lbs
A-431F-4S_130_50	Height adjustable arm with W-bracket and keyboard tray 500 x 200 mm	50: 6.2 kg / 13.7 lbs
A-431F-4S_130_58	Height adjustable arm with W-bracket and keyboard tray 580 x 200 mm	58: 6.4 kg / 14.1 lbs
A-431F-4S_130_65	Height adjustable arm with W-bracket and keyboard tray 650 x 200 mm	65: 6.5 kg / 14.3 lbs
A-431F-4S_130_RC	Height adjustable arm with W-bracket and keyboard tray 480 x 220 mm	RC: 7.5 kg / 16.5 lbs
A-431M-4S_130_30S	Height adjustable arm with Z-bracket and mag. keyboard tray 300 x 210 mm	30S: 7.3 kg / 16.1 lbs
A-431M-4S_130_40S	Height adjustable arm with Z-bracket and mag. keyboard tray 400 x 150 mm	40S: 7.4 kg / 16.3 lbs
A-431M-4S_130_50S	Height adjustable arm with Z-bracket and mag. keyboard tray 500 x 200 mm	50S: 7.8 kg / 17.2 lbs
A-431M-4S_130_58S	Height adjustable arm with Z-bracket and mag. keyboard tray 580 x 200 mm	58S: 8.0 kg / 17.6 lbs
A-431M-4S_130_65S	Height adjustable arm with Z-bracket and mag. keyboard tray 650 x 200 mm	65S: 8.2 kg / 18.1 lbs
A-431M-4S_130_RC	Height adjustable arm with Z-bracket and mag. keyboard tray 480 x 220 mm	RC: 8.4 kg / 18.5 lbs
A-431Q-4S	Height adjustable arm with quick release base plate and adapter for vertical wall channel	4.2 kg / 9.3 lbs
A-73130Q-4S	Extended height adjustable arm with quick release base plate and adapter for vertical wall channel	5.2 kg / 11.5 lbs
S-910C-1	Flush mount for M500/M540 with quick release adapter plate VESA 75 and fixed pole clamp	1.2 kg / 2.6 lbs
A-224C-4S	Support arm pivot with VESA 75/75 and adapter for vertical wall channel	2.4 kg / 5.3 lbs
A-230C-4S	Support arm pivot with VESA 75/75 and adapter for vertical wall channel	2.5 kg / 5.5 lbs
Z-KH6-71.1_300	Down post with cable hook, length 300 mm / 11.8"	0.4 kg / 0.9 lbs
Z-QR-G	Quick release adapter plate VESA 75/100	0.2 kg / 0.4 lbs
DR-PS250-4Z	5" plunge plate with adapter plate for Dräger PS250/2500	0.6 kg / 1.3 lbs
Z-KH2-70	Dual cable hook	0.3 kg / 0.7 lbs

General notes

Monitor Adaptations

The monitor adaption VESA 75/100 quick release (Z-QR-G.D) offers tool-free disassembly of the monitor.

Components' grounding

All arms with integrated cable management are equipped with **component grounding**. No grounding is required for arms with external or semi-integrated cable management with cables not being led through joints.

Load capacity

All **height adjustable arms** have a load capacity of 22 kg / 48.5 lbs. Rear mounted monitor adaptations and horizontally mounted 5" plunge plates accept a maximum monitor weight of 18 kg / 39.7 lbs. An additional 4 kg / 8.8 lbs may be mounted on a down post underneath the front swivel part. Depending on material and tensile factor all weight indications have a 4-fold and/ or 6-fold safety factor according to IEC 60601-1 standards.

Custom-designed solutions and MRI applications

Please contact us for **custom-designed** solutions.

Product marking

All products which are classified as medical product risk class 1 are CE marked. As **medical product risk class 1** they are conform with the regulations (EU) 2017/745 (MDR) and IEC 60601-1. Other standards of the IEC 60601 series are not applicable to our products, regardless of their version.

Warranty

All CIM products have a 5-year warranty to be free of defects in material and functionality from the date of delivery.

Non-height adjustable arm

Pivot and extended pivot arms offer **full cable integration** and easy cleaning for **infection control** in all critical care areas in the clinical environment. Our **5-years warranty** guarantees reliable, trouble-free and maintenance-free operation. The swivel function at the fixing point as well as the **tilt/ swivel function** of the monitor adaptation offers optimum positioning of your device. The extended pivot arm is a two-part arm with central pivot point between the two arm sections. All bottom-mounted monitors have the safety feature of a **20° tilt stop**.

Height adjustable arm

The height adjustable arm offers **full cable integration**, one-wipe clean surfaces and our **5-year warranty** on the entirety of the product. Vertically and horizontally adjustable, the arm offers optimal positioning of your device. A constant viewing angle when vertically adjusted is guaranteed by a parallel linkage.

Weight-optimized springs counter-balance

the monitor without making any adjustments. All bottom-mounted monitors have the safety feature of a **20° tilt stop**. Individual rotational stops may be integrated in any joint.

To provide the perfect combination of arm and monitor, the CIM articulated height adjustable arm has a simple quarter-turn lock to hold the arm safely in position when removing the monitor. Furthermore the arm is equipped with the unique safety feature of a slow-release gas spring. Should anybody try to remove the monitor before locking the arm in position, the arm will only rise at a slow and even tempo.

SAFETY