

## DUAL MONITOR MOUNT - HEIGHT ADJUSTABLE

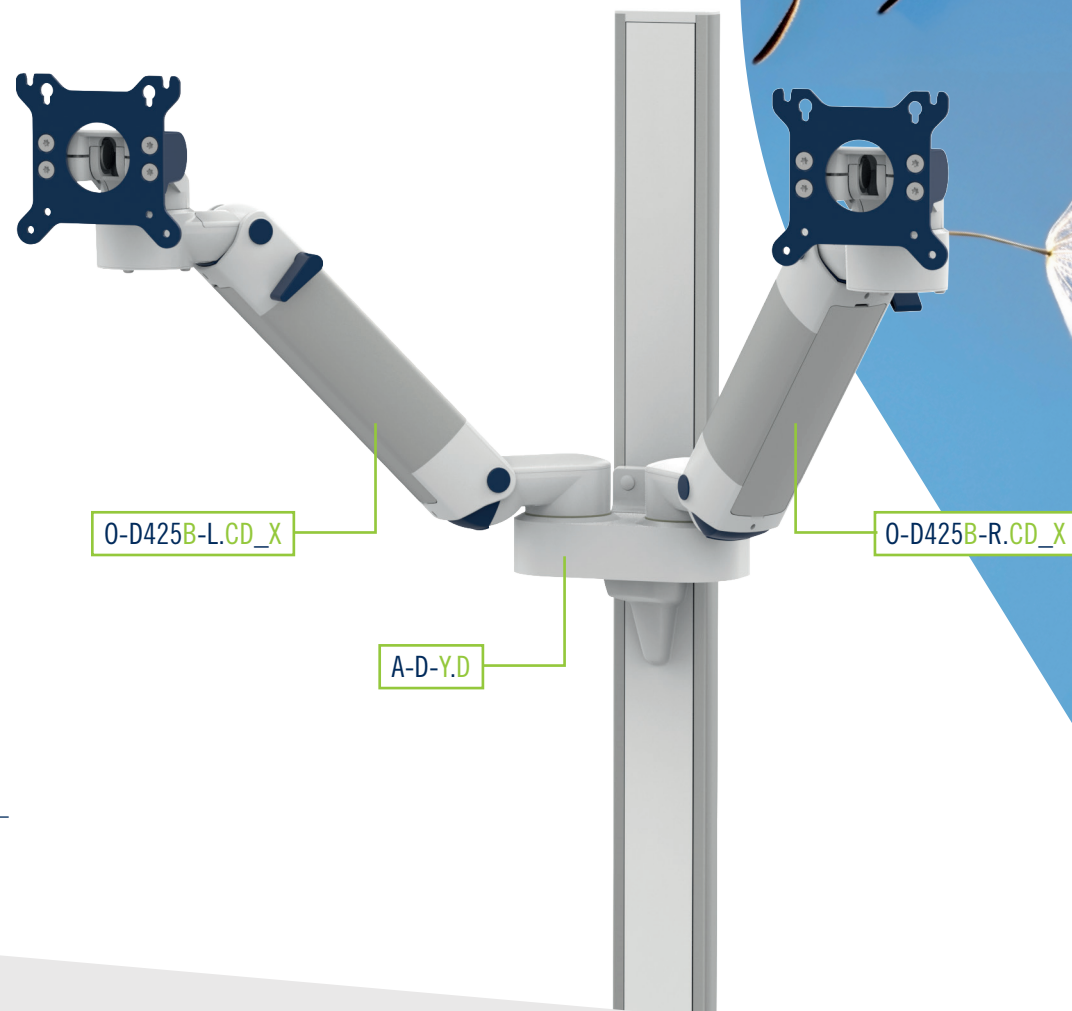
### MORE FLEXIBILITY FOR YOUR WORKPLACE

Maximum ergonomics, effortless handling, and reliable safety: Our dual monitor mount for flat screens is designed specifically to meet the demands of modern medical environments. With flexible adjustment options, each monitor can be positioned independently – ensuring greater comfort and an optimized workflow.

### YOUR BENEFITS AT A GLANCE

- + Ergonomic Comfort**  
Individual height adjustment and extended swivel range for each monitor.
- + Boosted Efficiency**  
Separate support arms for smooth and hassle-free operation.
- + Clean & Hygienic**  
Integrated cable management for easy cleaning and a clutter-free workspace.
- + Strong & Reliable**  
Increased load capacity for a wider range of applications.
- + Certified Safety**  
Complies with EU Medical Device Regulation (MDR, Class I) and IEC 60601-1.

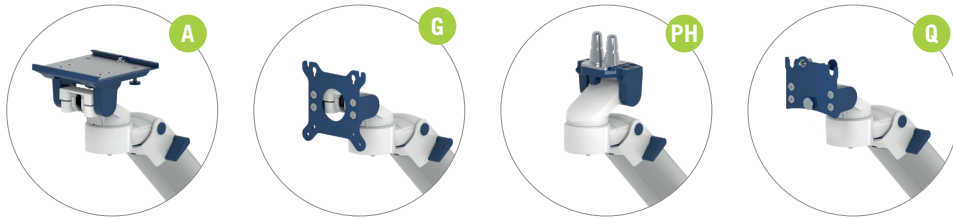
With this innovative solution, you gain not only extra space but also greater freedom of movement – creating a workspace perfectly tailored to the needs of healthcare professionals.



# DUAL MONITOR MOUNT - HEIGHT ADJUSTABLE

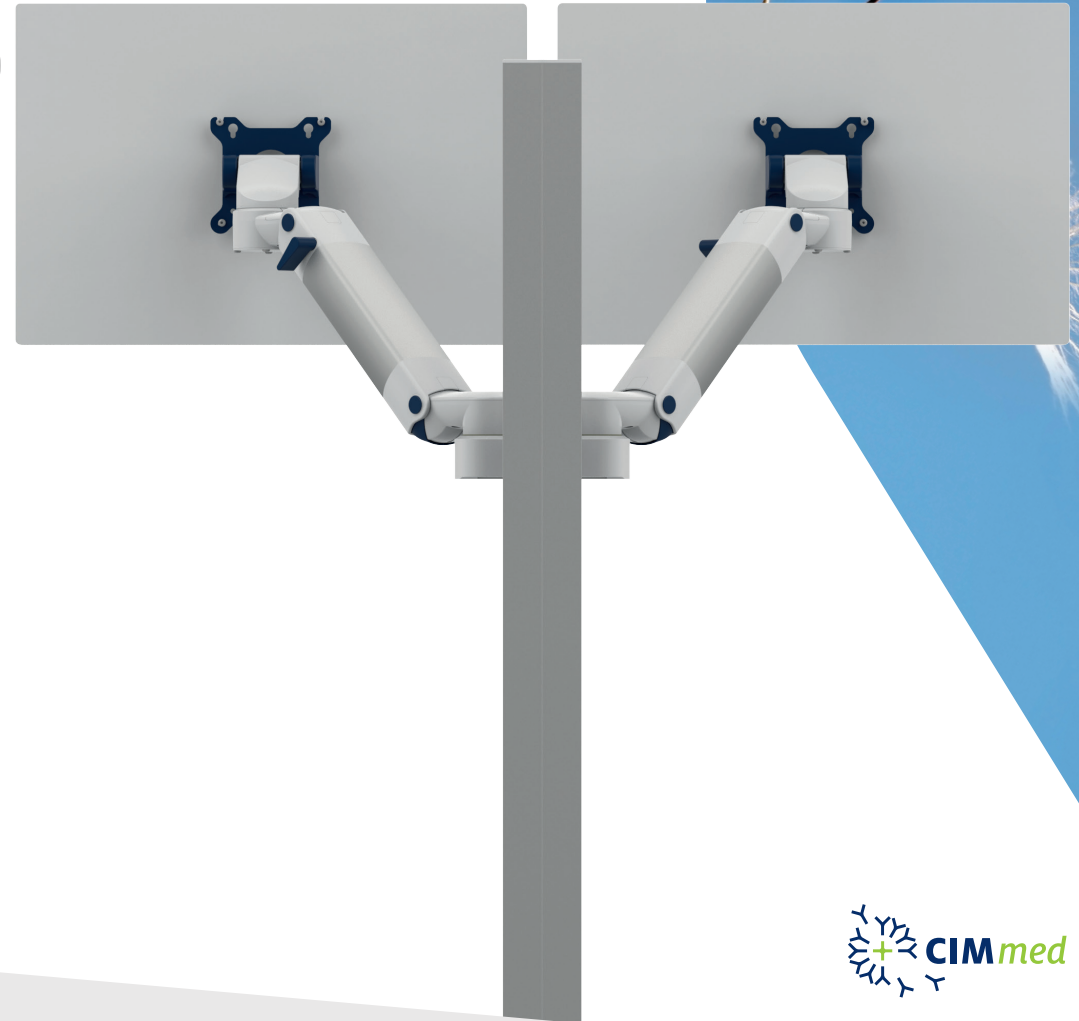
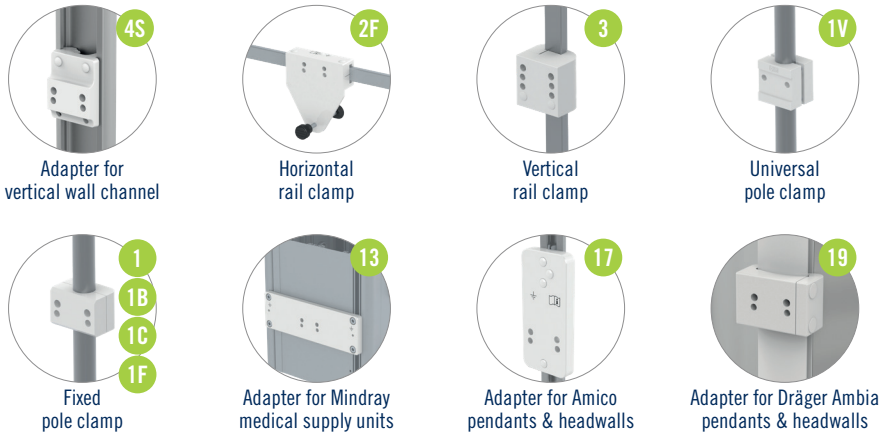
## WHICH MONITOR WOULD YOU LIKE TO MOUNT?

CIM med offers tailored solutions for a wide range of leading medical device manufacturers – ensuring you always find the right mount for your system.



## WHERE DO YOU WANT TO ATTACH THE SUPPORT ARM?

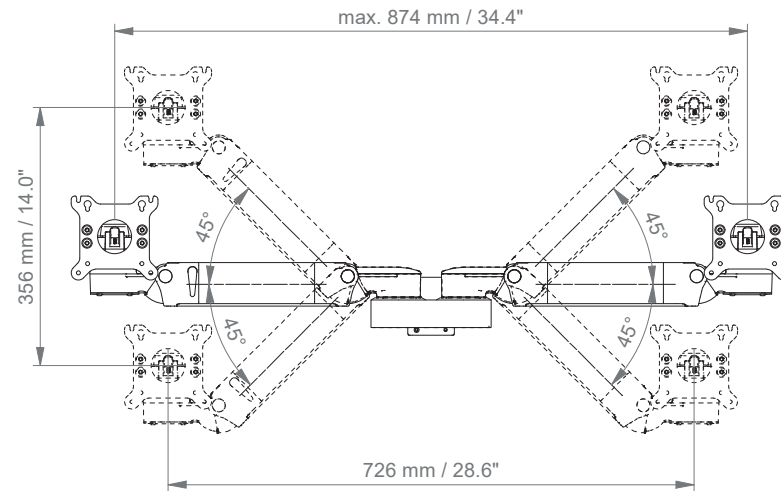
Whether round tube, wall channel, or standard rail – CIM med provides the right adapters for flexible and secure integration into almost any environment.



# DUAL MONITOR MOUNT - HEIGHT ADJUSTABLE

## TECHNICAL DATA

### FRONT VIEW



### TOP VIEW

