

Cart light duty kit for CARESCAPE Canvas

MD



Monitor adaption

CL-bracket, VESA 75/100 with tilt function

Accessories

5-star base aluminum base with counter weight
 Double wheel castors, ø 100 mm / 3.9", 5 lockable
 Column to accept components and accessories on opposite sides

Colours

Decorative parts RAL 5013 cobalt blue
 Base RAL 9016 traffic white
 Handle RAL 9016 traffic white

Maximum load monitor adaption

7.5 kg / 16.5 lbs

Maximum load F2 Canvas

4.7 kg / 10.4 lbs

Maximum load basket

10 kg / 22 lbs

Kit number

GE-002CAN-01.b11

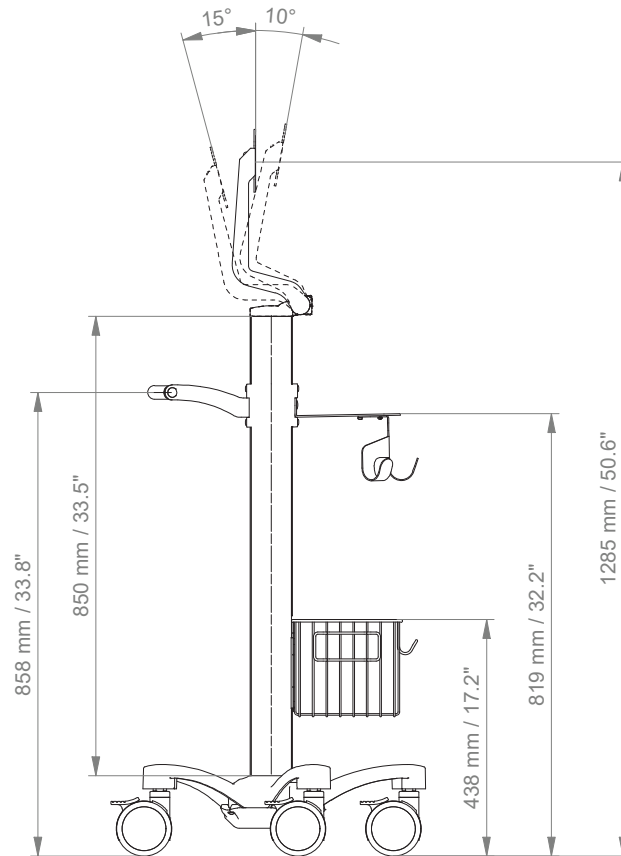
Consisting of the following parts:

- R-002K.b11 cart light duty
- Z-HD-4.b11 handle for carts
- Z-51-4Z basket big 300 x 200 x 180 mm / 11.8 x 7.9 x 7.1"
- GE-MB-4.1 L-bracket for Frame F2 / F5 / Canvas with adapter vertical wall channel
- GE-KH3-MB.1 Triple cable hock

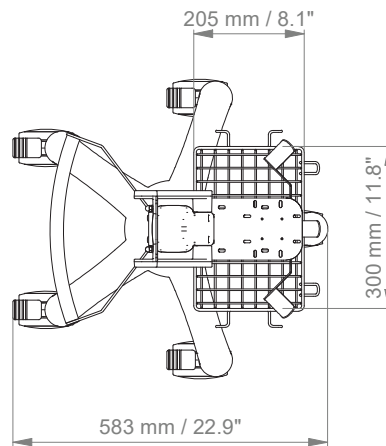
Cart light duty kit for CARESCAPE Canvas

Technical data

SIDE VIEW



TOP VIEW



General notes

Monitor Adaptations

The various GE monitors require different monitor presentations: For **CARESCAPE B105/ B125/ B450/ B650** all mounting solutions with 5" plunge plate are suitable. Please refer to the mounting reference guide for 5" plunge plate solutions.

CARESCAPE ONE, **sensor holder** and **docking station** require a CARESCAPE ONE specific mounting adapter.

Components' grounding

All arms with integrated cable management are equipped with **component grounding**. No grounding is required for arms with external or semi-integrated cable management with cables not being led through joints.

Load capacity

All **height adjustable arms** have a load capacity of 22 kg / 48.5 lbs. Rear mounted monitor adaptations and horizontally mounted 5" plunge plates accept a maximum monitor weight of 18 kg / 39.7 lbs. An additional 4 kg / 8.8 lbs may be mounted on a down post underneath the front swivel part. Depending on material and tensile factor all weight indications have a 4-fold and/ or 6-fold safety factor according to IEC 60601-1 standards.

Custom-designed solutions and MRI applications

Please contact us for **custom-designed** solutions.

Product marking

All products which are classified as medical product risk class 1 are CE marked. As **medical product risk class 1** they are conform with the regulations (EU) 2017/745 (MDR) and IEC 60601-1. Other standards of the IEC 60601 series are not applicable to our products, regardless of their version.

MD A stand-alone product that is already classified as a medical product class 1 before being integrated into an overall medical device. The product is CE-marked. A declaration of conformity is available.

~~MD~~ Accessories or spare parts that have no independent function and are therefore not subject to the MDR. These products are not CE-marked. A declaration of conformity is not required.

Warranty

All CIM products have a 5-year warranty to be free of defects in material and functionality from the date of delivery.

How to find the right product for your needs?

No problem with our configurator

<https://cim-configurator.com>

