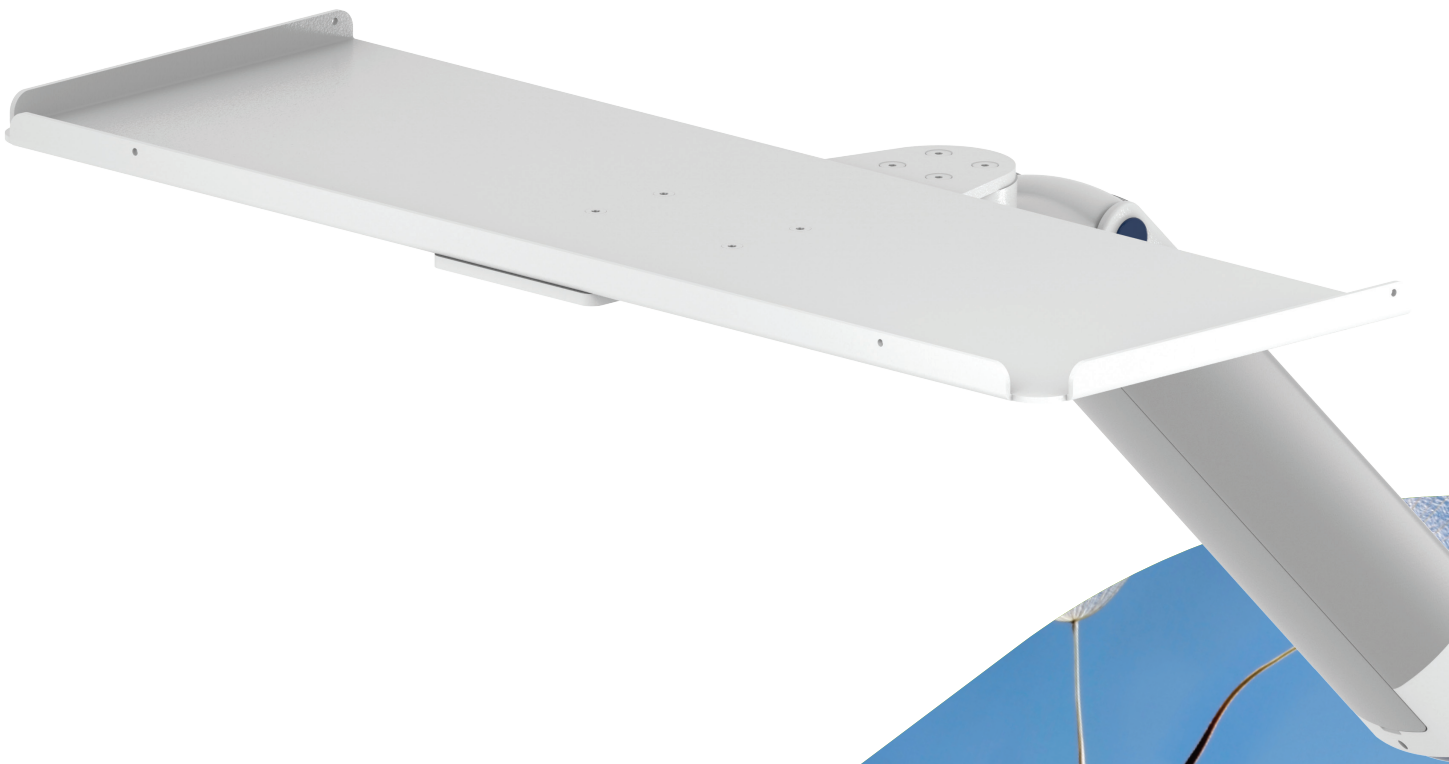




MOUNTING REFERENCE GUIDE

# Keyboard & Mouse

CIM Cable Integrated Mounting System



# Content

---

<b>General notes</b>	<b>3</b>
<b>How to create part numbers</b>	<b>4</b>
<b>Product highlights</b>	<b>6</b>
<b>Support arm pivot</b>	<b>7</b>
<b>Extended pivot arm light duty</b>	<b>9</b>
<b>Height adjustable arm</b>	<b>11</b>
<b>Extended height adjustable arm</b>	<b>13</b>
<b>Keyboard tray options</b>	<b>15</b>
<b>Fixings</b>	<b>19</b>

## General notes

---

### Components' grounding

All arms with integrated cable management are equipped with **component grounding**. No grounding is required for arms with external or semi-integrated cable management with cables not being led through joints.

### Load capacity

All **height adjustable arms** have a load capacity of 22 kg / 48.5 lbs. Rear mounted monitor adaptations and horizontally mounted 5" plunge plates accept a maximum monitor weight of 18 kg / 39.7 lbs. An additional 4 kg / 8.8 lbs may be mounted on a down post underneath the front swivel part. Depending on material and tensile factor all weight indications have a 4-fold and/ or 6-fold safety factor according to IEC 60601-1 standards.

### Custom-designed solutions and MRI applications

Please contact us for **custom-designed** solutions.

### Product marking

All products which are classified as medical product risk class 1 are CE marked. As **medical product risk class 1** they are conform with the regulations (EU) 2017/745 (MDR) and IEC 60601-1. Other standards of the IEC 60601 series are not applicable to our products, regardless of their version.

**MD** A stand-alone product that is already classified as a medical product class 1 before being integrated into an overall medical device. The product is CE-marked. A declaration of conformity is available.

~~MD~~ Accessories or spare parts that have no independent function and are therefore not subject to the MDR. These products are not CE-marked. A declaration of conformity is not required.

### Warranty

All CIM products have a 5-year warranty to be free of defects in material and functionality from the date of delivery.

---

## How to find the right product for your needs?

No problem with our configurator

<https://cim-configurator.com>



# How to create part numbers

Part numbers can be easily created by following the steps below:

Please replace the letters in **green** with the part no. code as per your requirements.

## 1. Components' grounding:

A = grounded

## 2. Choose the arm version required:

224E / 230E = support arm pivot  
 33030E = extended pivot arm light duty  
 431E = height adjustable arm  
 73130E = extended height adjustable arm

## 3. Specify where you want to mount the arm and select the fixing (Y):

1V = pole ø 23 - 40 mm / 0.9 - 1.6"  
 1 = pole ø 25 mm / 1.0"  
 1B = pole ø 30 mm / 1.2"  
 1F = pole ø 35 mm / 1.4"  
 1C = pole ø 38 mm / 1.5"  
 2F = horizontal rails 10 x 25, 8 x 35, 10 x 30, 10 x 50 mm  
 3 = vertical rail 10 x 25 mm  
 4S = vertical wall channel  
 9 = ITD mounting channel  
 13 = Mindray medical supply units  
 17 = Amico pendants & headwalls  
 19 = Dräger Ambia pendants & headwalls

## 4. Choose the colour requested for decorative parts (C):

gr = RAL 7024 (graphite grey)  
 bl = RAL 5013 (cobalt blue)

# How to create part numbers

**5. Choose the colour requested for the aluminium die-cast parts (D):**

- 1 = RAL 9016 (traffic white)
- 2 = RAL 9002 (grey white)

**6. Specify the spring depending on the weight of your monitor/ device - only with height adjustable arms (X):**

- 60 = 0 - 4 kg / 0 - 8.8 lbs

**7. Specify the requested size of the keyboard tray and mouse (T):**

Standard	Magnetic	With wrist rest		Dimensions
30	30S		=	300 x 210 mm / 11.8 x 8.3"
40	40S		=	400 x 150 mm / 15.7 x 5.9"
50	50S	50W	=	500 x 200 mm / 19.7 x 7.9"
58	58S	58W	=	580 x 200 mm / 22.8 x 7.9"
65	65S	65W	=	650 x 200 mm / 25.6 x 7.9"
RC			=	480 x 220 mm (retractable mouse tray left/right 179 mm / 7.0")

## Example

01 Grounding		02 Arm version		03 Fixing		04 & 05 Colour		06 Spring tension		07 Keyboard tray
A	-	431E	-	Y	.	CD	-	60	-	T
A	-	431E	-	4S	.	gr1	-	60	-	58S

## Product highlights

---

### Non-height adjustable arm

Pivot and extended pivot arms offer **full cable integration** and easy cleaning for **infection control** in all critical care areas in the clinical environment. Our **5-years warranty** guarantees reliable, trouble-free and maintenance-free operation. The swivel function at the fixing point as well as the **tilt/ swivel function** of the monitor adaptation offers optimum positioning of your device. The extended pivot arm is a two-part arm with central pivot point between the two arm sections. All bottom-mounted monitors have the safety feature of a **20° tilt stop**.

### Height adjustable arm

The height adjustable arm offers **full cable integration**, one-wipe clean surfaces and our **5-year warranty** on the entirety of the product. Vertically and horizontally adjustable, the arm offers optimal positioning of your device. A constant viewing angle when vertically adjusted is guaranteed by a parallel linkage. **Weight-optimized springs counter-balance** the monitor without making any adjustments. All bottom-mounted monitors have the safety feature of a **20° tilt stop**. Individual rotational stops may be integrated in any joint.

To provide the perfect combination of arm and monitor, the CIM articulated height adjustable arm has a simple quarter-turn lock to hold the arm safely in position when removing the monitor. Furthermore the arm is equipped with the unique safety feature of a slow-release gas spring. Should anybody try to remove the monitor before locking the arm in position, the arm will only rise at a slow and even tempo.

**SAFETY**

# Support arm pivot



**Keyboard tray T**

dimensions page 15 - 18

**Colours to choose D**

aluminum parts      RAL 9016 traffic white / RAL 9002 grey white

**Max. load capacity support arm**

16 kg / 35.3 lbs

**Max. load keyboard tray**

5 kg / 11 lbs

**Product weight**

arm type 240: 1.8 - 3.4 kg / 9.5": 4.0 - 7.5 lbs (according to dimensions of keyboard tray)  
 arm type 300: 1.9 - 3.5 kg / 11.8": 4.2 - 7.7 lbs (according to dimensions of keyboard tray)

**Part number**

arm type 240                                      arm type 300  
 A-224E-Y.D\_T                                      A-230E-Y.D\_T

**Fixings Y**

details page 19



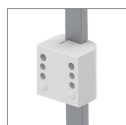
4S

Adapter for vertical wall channel



2F

Horizontal rail clamp



3

Vertical rail clamp



1V

Universal pole clamp



1  
1B  
1F  
1C

Fixed pole clamp



13

Adapter for Mindray medical supply units



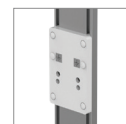
17

Adapter for Amico pendants & headwalls



19

Adapter for Dräger Ambia pendants & headwalls



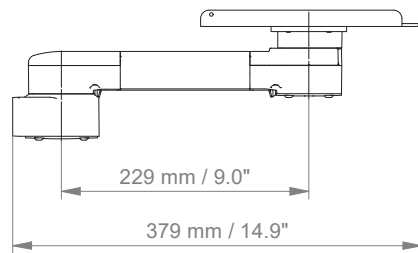
9

Adapter for ITD mounting channel

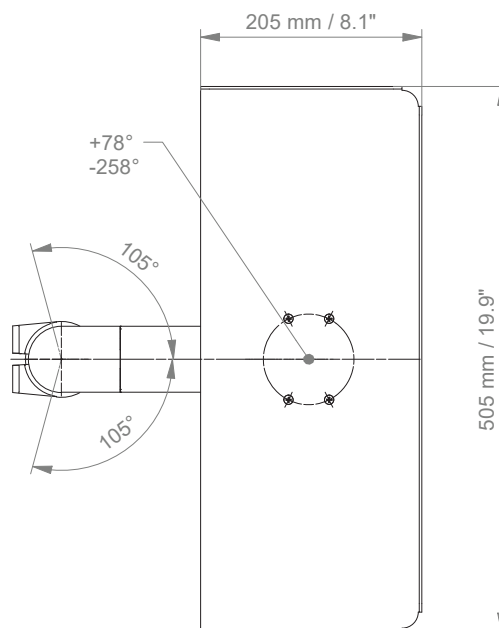
# Support arm pivot

Technical data - arm type 300, keyboard tray 500 x 200 mm / 19.7 x 7.9"

## SIDE VIEW

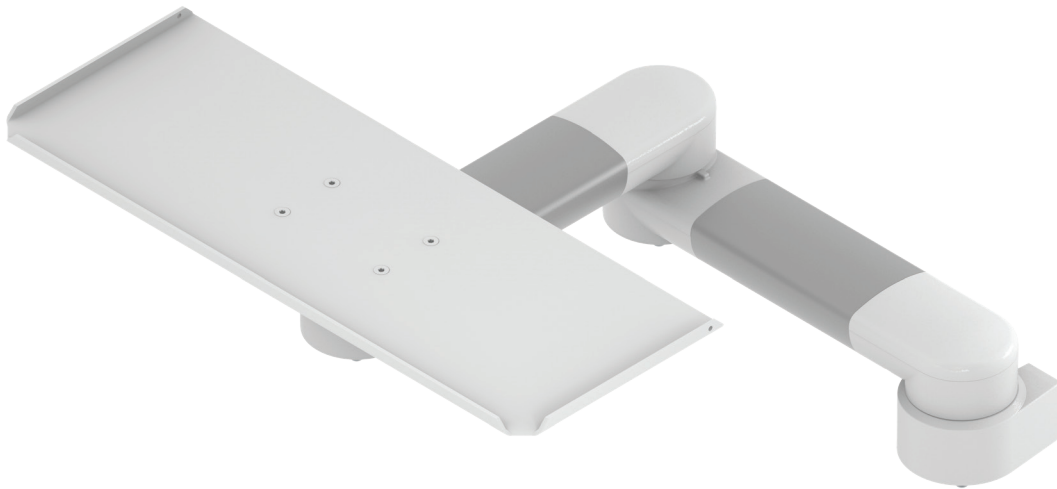


## TOP VIEW



# Extended pivot arm light duty

**MD**



<b>Keyboard tray T</b>	dimensions page 15 - 18
<b>Colours to choose D</b>	aluminium parts    RAL 9016 traffic white / RAL 9002 grey white
<b>Max. load capacity support arm</b>	6 kg / 13.3 lbs
<b>Max. load keyboard tray</b>	5 kg / 11 lbs
<b>Product weight</b>	2.8 - 4.4 kg / 9.5": 6.2 - 9.7 lbs (according to dimensions of keyboard tray)
<b>Part number</b>	A-33030E-Y.D_T

## Fixings Y

details page 19



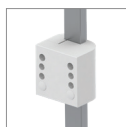
4S

Adapter for vertical wall channel



2F

Horizontal rail clamp



3

Vertical rail clamp



1V

Universal pole clamp



1  
1B  
1F  
1C

Fixed pole clamp



13

Adapter for Mindray medical supply units



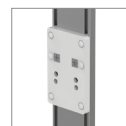
17

Adapter for Amico pendants & headwalls



19

Adapter for Dräger Ambia pendants & headwalls



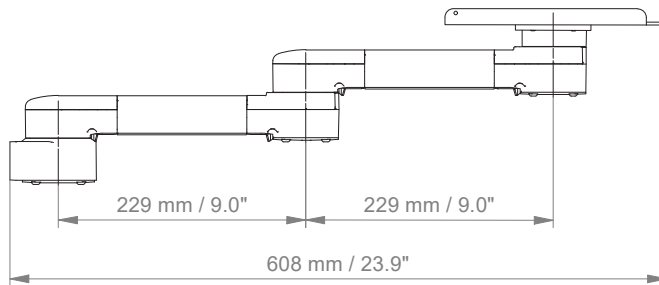
9

Adapter for ITD mounting channel

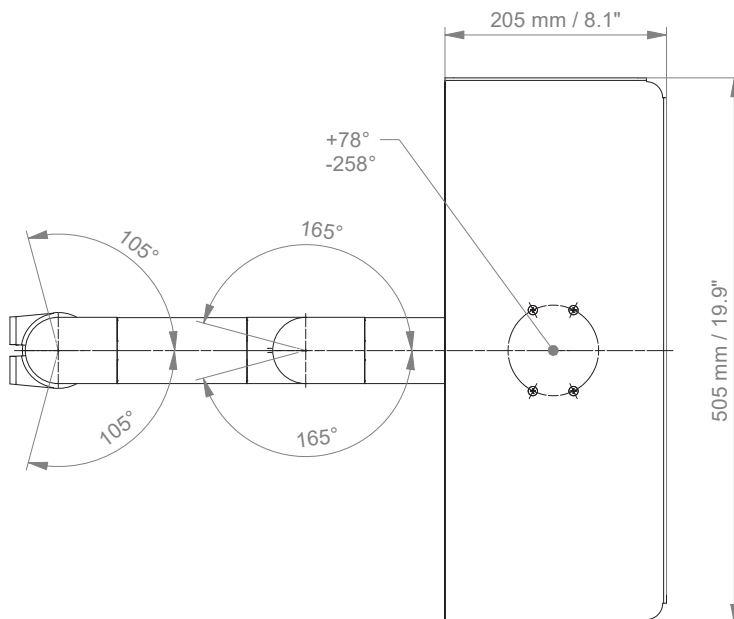
# Extended pivot arm light duty

Technical data - keyboard tray 500 x 200 mm / 19.7 x 7.9"

## SIDE VIEW



## TOP VIEW



# Height adjustable arm

**MD**



**Keyboard tray T**

dimensions page 15 - 18

**Height adjustment**

slow-flowing spring, parallel linkage for a constant viewing angle

**Colours to choose CD**

decorative parts RAL 5013 cobalt blue / RAL 7024 graphite grey  
 aluminum parts RAL 9016 traffic white / RAL 9002 grey white

**Max. load capacity support arm**

20 kg / 44.1 lbs

**Max. load keyboard tray**

5 kg / 11 lbs

**Product weight**

4.4 - 6.0 kg / 9.7 - 13.2 lbs (according to dimensions of keyboard tray)

**Balancing range**

600 N (0 - 4 kg / 0 - 8.8 lbs)

**Part number**

A-431E-Y.CD\_60\_T

**Fixings Y**

details page 19



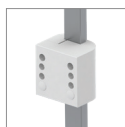
4S

Adapter for vertical wall channel



2F

Horizontal rail clamp



3

Vertical rail clamp



1V

Universal pole clamp



1  
1B  
1F  
1C

Fixed pole clamp



13

Adapter for Mindray medical supply units



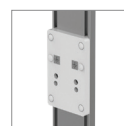
17

Adapter for Amico pendants & headwalls



19

Adapter for Dräger Ambia pendants & headwalls



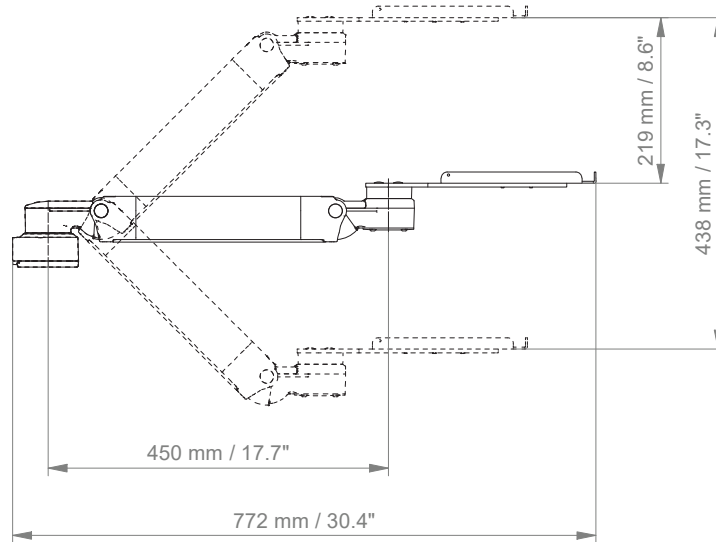
9

Adapter for ITD mounting channel

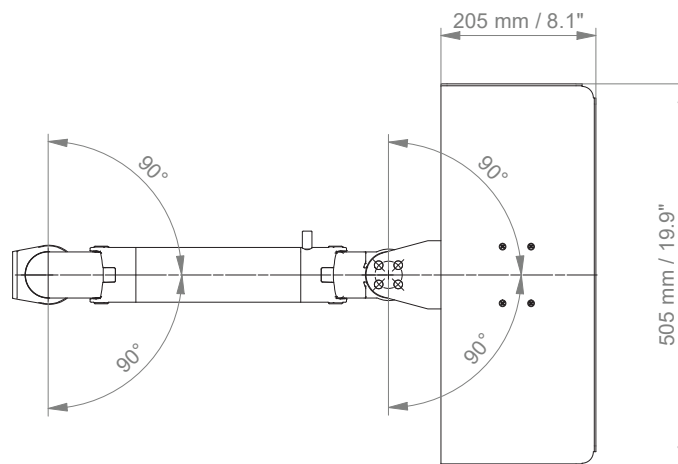
# Height adjustable arm

Technical data - keyboard tray 500 x 200 mm / 19.7 x 7.9"

## SIDE VIEW



## TOP VIEW



# Extended height adjustable arm

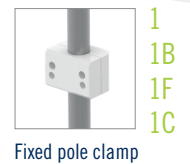
**MD**



<b>Keyboard tray T</b>	dimensions page 15 - 18
<b>Height adjustment</b>	slow-flowing spring, parallel linkage for a constant viewing angle
<b>Colours to choose CD</b>	decorative parts RAL 5013 cobalt blue / RAL 7024 graphite grey aluminum parts RAL 9016 traffic white / RAL 9002 grey white
<b>Max. load capacity support arm</b>	20 kg / 44.1 lbs
<b>Max. load keyboard tray</b>	5 kg / 11 lbs
<b>Product weight</b>	5.5 - 7.1 kg / 12.1 - 15.7 lbs (according to dimensions of keyboard tray)
<b>Balancing range</b>	600 N (0 - 4 kg / 0 - 8.8 lbs)
<b>Part number</b>	A-73130E-Y.CD_60_T

## Fixings Y

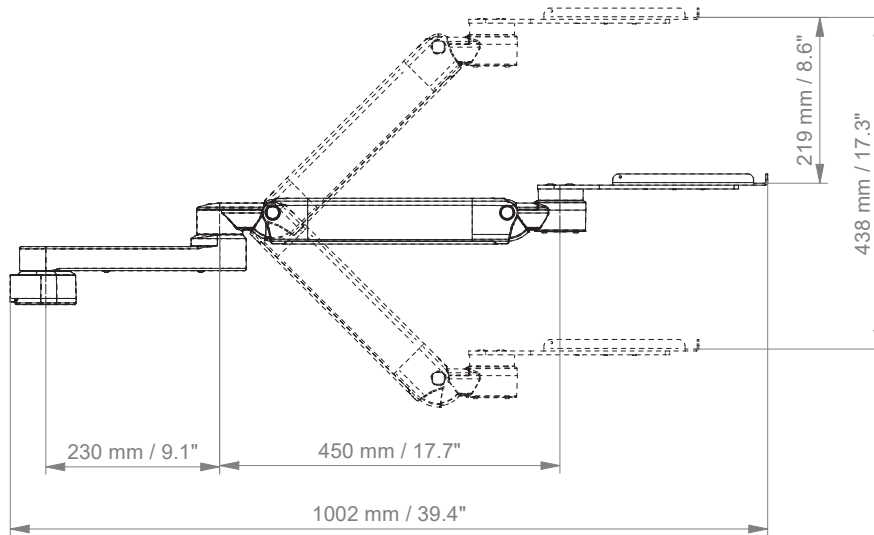
details page 19



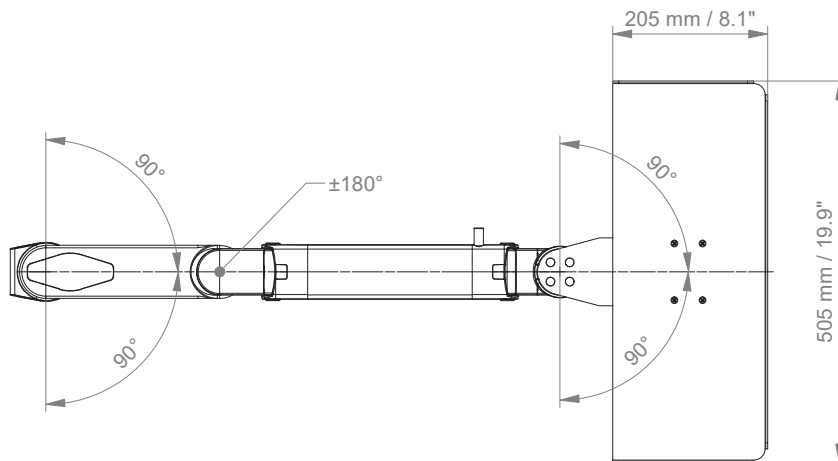
# Extended height adjustable arm

Technical data - keyboard tray 500 x 200 mm / 19.7 x 7.9"

## SIDE VIEW

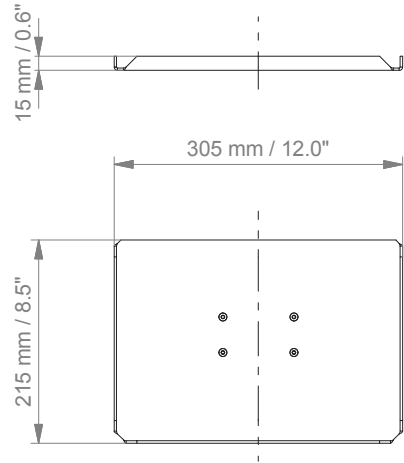


## TOP VIEW

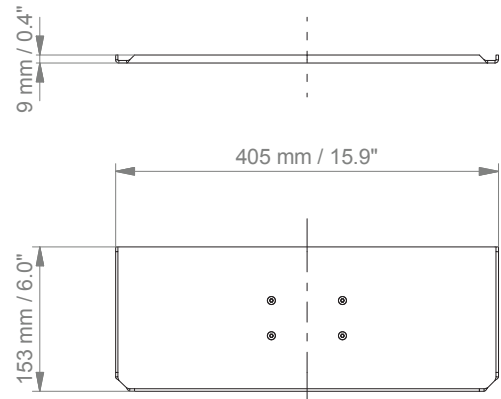


# Keyboard tray options T

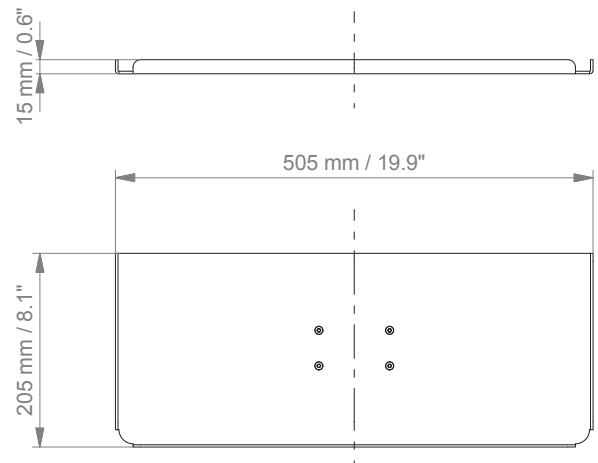
**Keyboard tray 300 x 210 mm / 11.8" x 8.3"**



**Keyboard tray 400 x 150 mm / 15.7" x 5.9"**

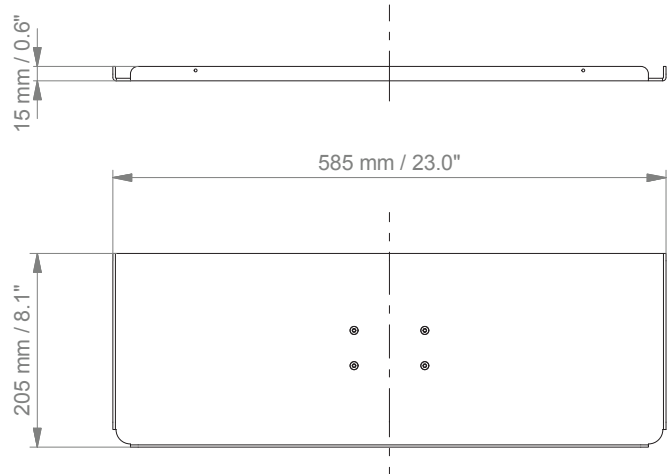


**Keyboard tray 500 x 200 mm / 19.7" x 7.9"**

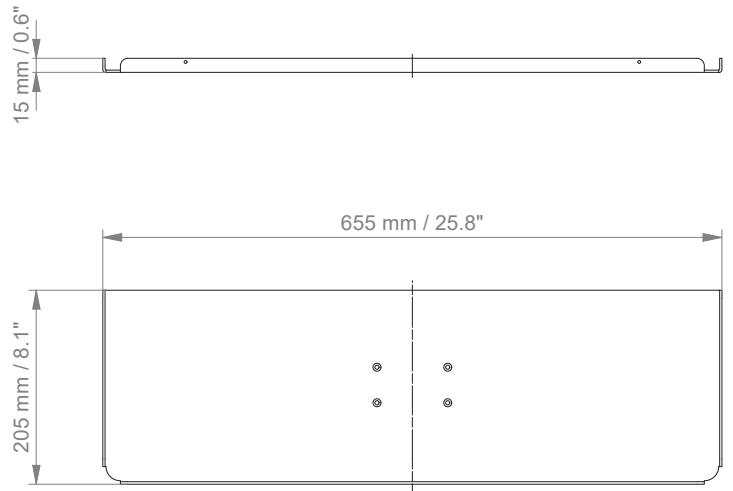


# Keyboard tray options T

**Keyboard tray 580 x 200 mm / 22.8" x 7.9"**

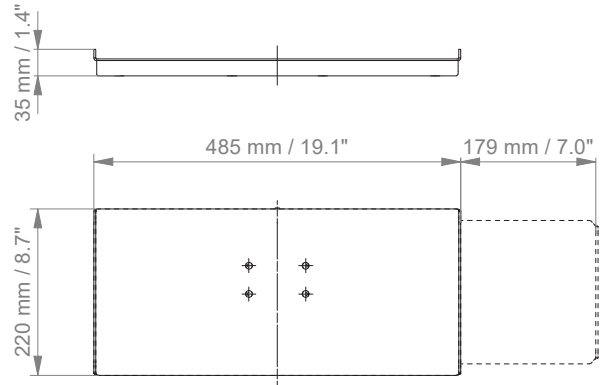


**Keyboard tray 650 x 200 mm / 25.6" x 7.9"**

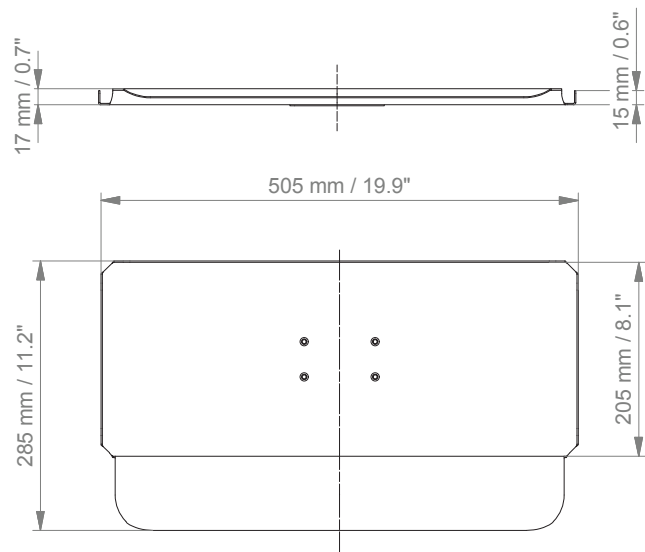


## Keyboard tray options T

Keyboard tray with retractable left / right mouse tray 480 x 220 mm / 18.9" x 8.7", mouse tray 179 mm / 7.0"

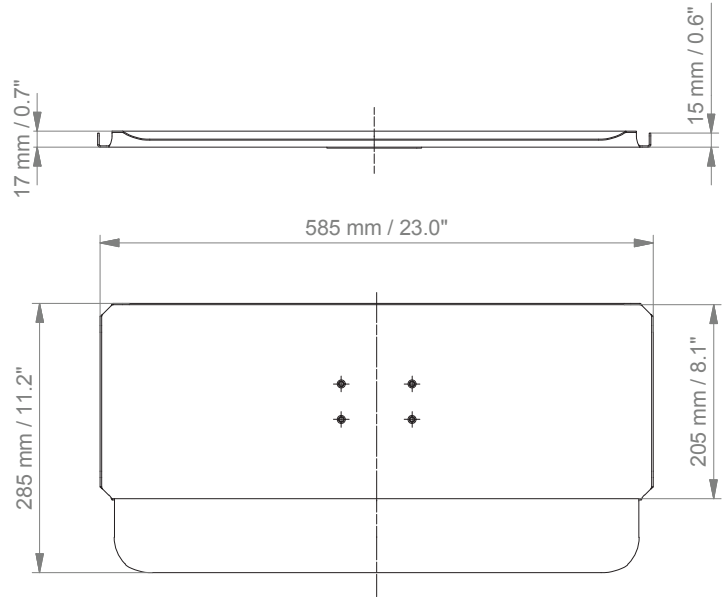


Keyboard tray with wrist rest 500 x 200 mm / 19.7 x 7.9"

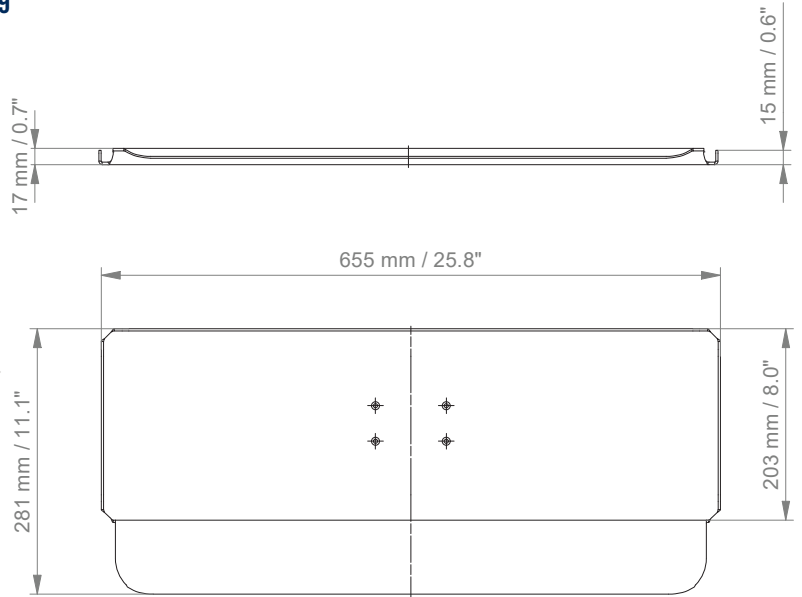


# Keyboard tray options T

Keyboard tray with wrist rest 580 x 200 mm / 22.8 x 7.9"












Keyboard tray with wrist rest 650 x 200 mm / 25.6 x 7.9"



## Fixings Y



Illustration	Description	Notes	Weight	Part no.
	Adapter for vertical wall channel	To mount to CIM wall channel (compatible with GCX channel) Please order separately: CIM wall channel, see catalogue accessoires	0.6 kg / 1.3 lbs	4S
	Horizontal rail clamp	To mount to horizontal European rails 10 x 25, 8 x 35, 10 x 30, 10 x 50 mm	1.1 kg / 2.4 lbs	2F
	Vertical rail clamp	To mount to vertical European rail 10 x 25 mm	0.5 kg / 1.1 lbs	3
	Universal pole clamp	V-block to mount to pole $\varnothing$ 23 - 40 mm / 0.9 - 1.6"	0.6 kg / 1.3 lbs	1V
	Fixed pole clamp	To mount to pole $\varnothing$ 25 mm / 1.0" To mount to pole $\varnothing$ 30 mm / 1.2" To mount to pole $\varnothing$ 35 mm / 1.4" To mount to pole $\varnothing$ 38 mm / 1.5"	0.3 kg / 0.7 lbs 0.4 kg / 0.9 lbs 0.4 kg / 0.9 lbs 0.4 kg / 0.9 lbs	1 1B 1F 1C
	Adapter medical supply units	For Mindray medical supply units	0.8 kg / 1.8 lbs	13
	Adapter pendants & headwalls	For Amico pendants & headwalls	0.6 kg / 1.3 lbs	17
	Adapter pendants & headwalls	For Dräger Ambia pendants & headwalls	0.6 kg / 1.3 lbs	19
	Adapter pendants & headwalls	For ITD mounting channels	0.4 kg / 0.9 lbs	9



**CIM med GmbH**

Euro-Industriepark  
Margot-Kalinke-Str. 9  
80939 Munich / Germany

T +49 89. 978 94 08-0

---

**CIM med Inc.**

University Executive Park  
301 McCullough Drive, Suite 400  
Charlotte NC, 28262 / USA

T +1 704 221 0721

---

[info@cim-med.com](mailto:info@cim-med.com)  
[www.cim-med.com](http://www.cim-med.com)

